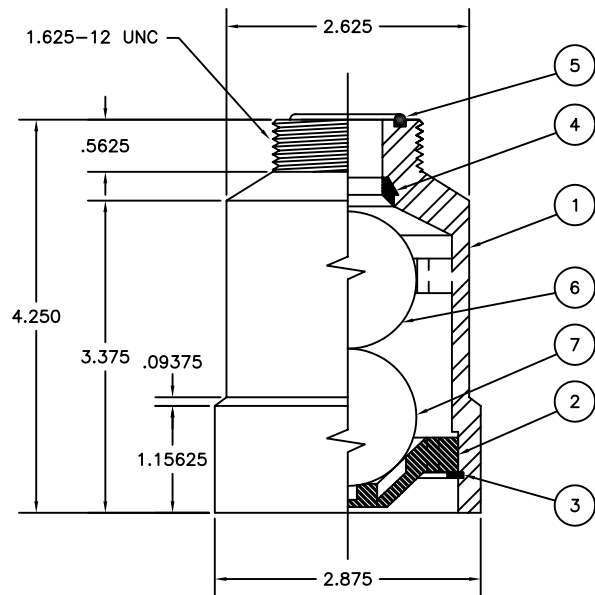
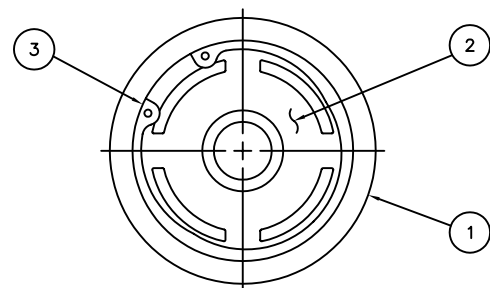


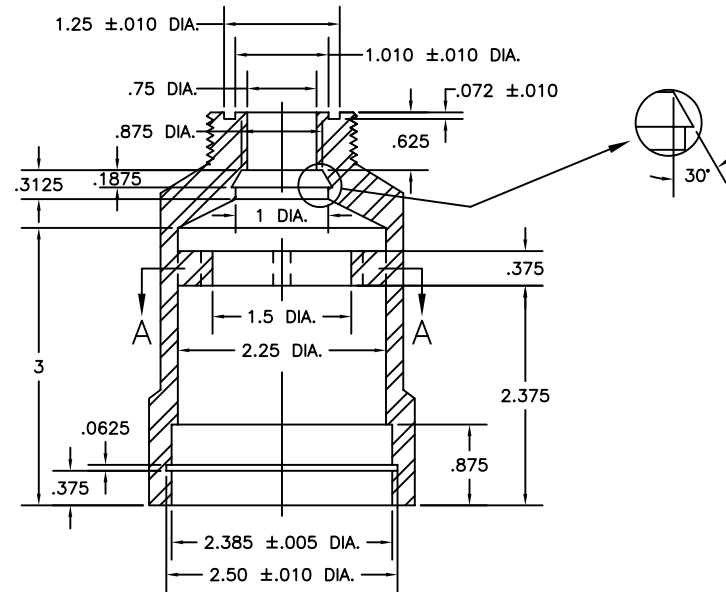
TOP



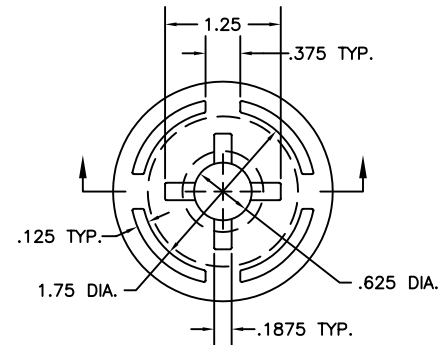
CUTAWAY VIEW



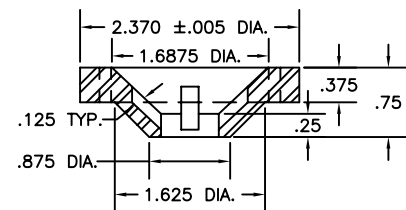
BOTTOM



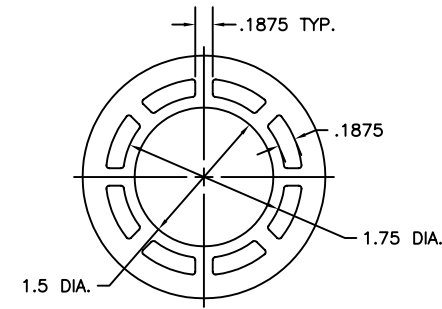
① VALVE BODY
(INTERNAL DIMENSIONS)



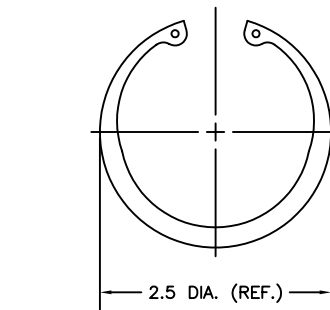
② VALVE BODY INSERT



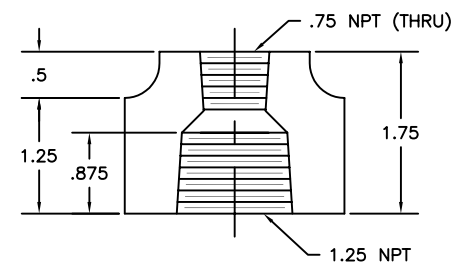
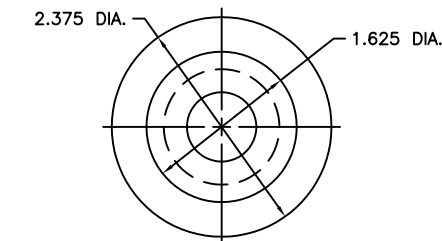
④ SEAL INSERT



SECTION A-A



③ RETAINING RING



⑧ REDUCER

BILL OF MATERIALS				
ITEM NO.	REQ.	DESCRIPTION	MATL.	REMARKS
1	1	VALVE BODY	ABS	SEE DETAIL
2	1	VALVE BODY INSERT	ABS	SEE DETAIL
3	1	RETAINING RING	---	SEE NOTE 2
4	1	SEAL INSERT	RUBBER	SEE DETAIL
5	1	O RING	RUBBER	1 I.D. x 1.25 O.D. x .125 DIA.
6	1	UPPER BALL	POLYPRO.	1.484 ±.005 DIA.
7	1	LOWER BALL	BRONZE NYLON	1.484 ±.005 DIA.
8	1	REDUCER	PVC	.75 NPT x 1.25 NPT

NOTES:

- SEE LATEST REVISION OF U.S.C.G. CIVIL ENGINEERING SPECIFICATION No. 382 FOR FABRICATION REQUIREMENTS.
- THE RETAINING RING SHALL BE MANUFACTURED FROM COPPER-BERYLLIUM ALLOY OR STAINLESS STEEL. THE DIMENSIONS SHALL BE IN ACCORDANCE WITH THE LATEST REVISION OF MIL-R-21248B.

REV.	DATE	APPR.	DESCRIPTION	BY
H	3-2-99	WD	MODIFIED NOTE 2.	SM
G	5-9-96	SW	REDRAWN USING AUTOCAD. ADDED ITEM 8 AND NOTE 2. CHANGED DIMENSIONS FROM FRACTIONAL TO DECIMAL.	SM
F	2-22-94	SW	ADDED DIMENSIONAL TOLERANCES.	RAS
E	4-7-83	PJG	REDRAWN AND ADDED DETAILS.	GWB

DESIGNED:	U.S. COAST GUARD	HEADQUARTERS
DRAWN:	G.W.B.	
TRACED:	S.M.	
CHECKED:		
REVIEWED BY:		
REVIEWED BY:	P.J. Glohe CH. B & S SEC.	
REVIEWED BY:	C.B. Doherty CH. SIG. BR.	
APPROVED:	L. R. Lomer	DATE 4/7/83
UNLESS OTHERWISE SPECIFIED: ALL DIMENSIONS ARE IN INCHES. TOLERANCES: DIM. ±.0625 ANG. ±30°		DRAWING NUMBER 107334
SCALE: DULL	SHEET 1	OF 1