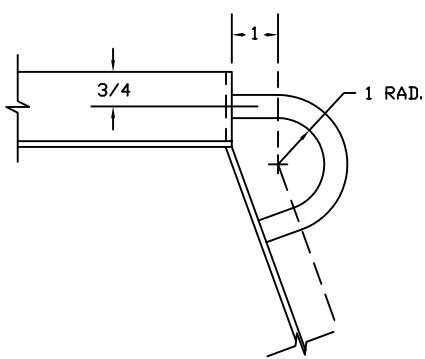
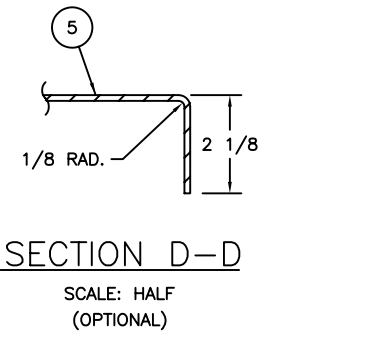
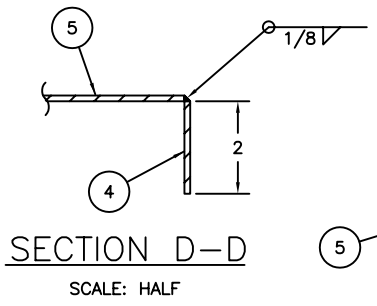
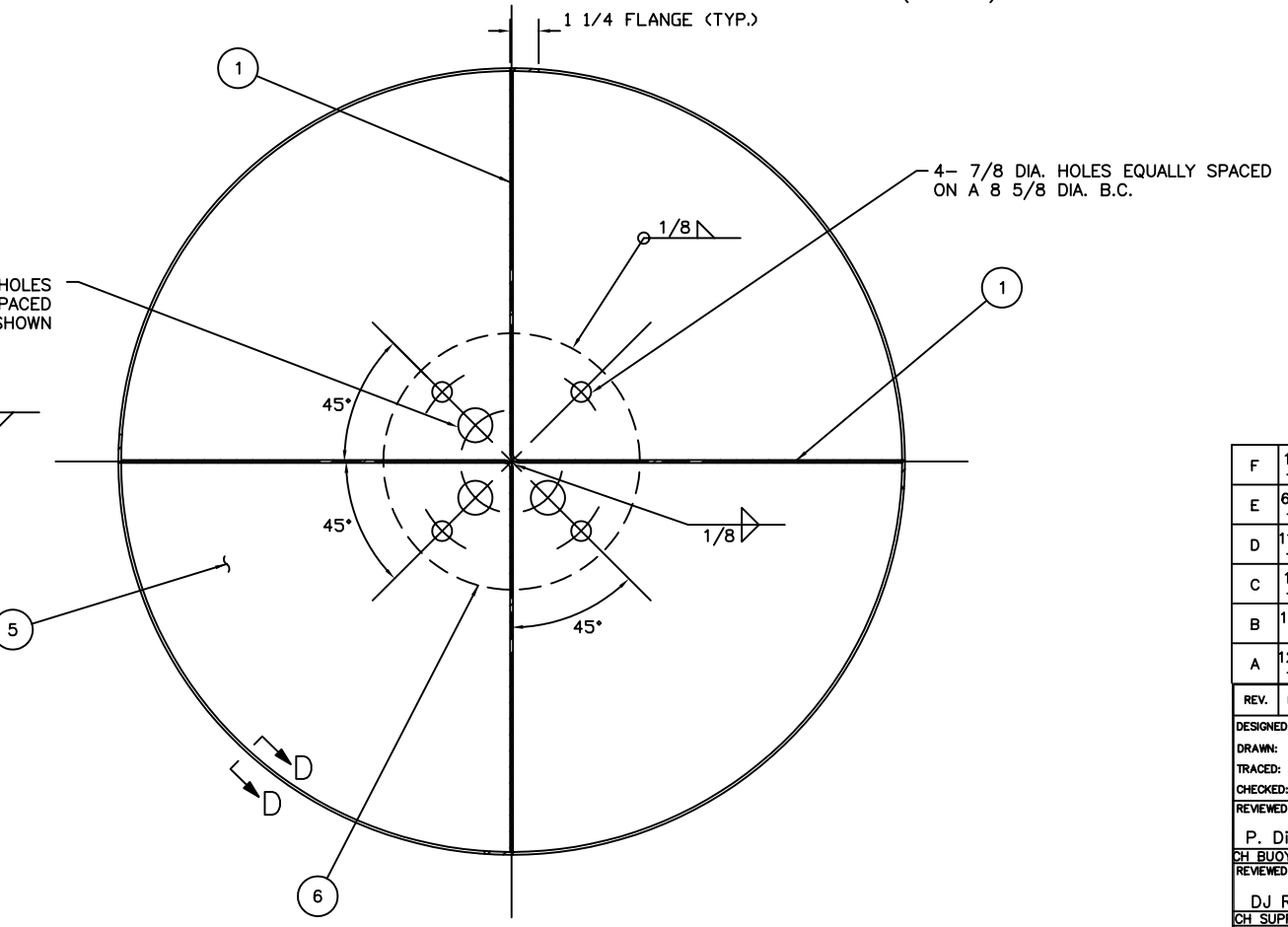
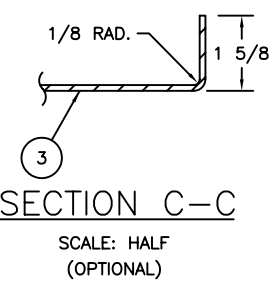
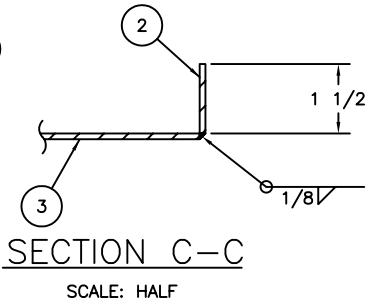
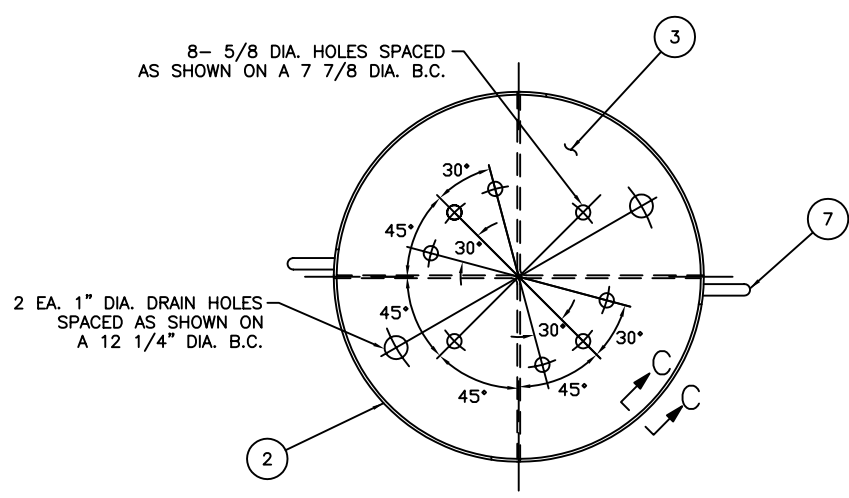


RADAR REFLECTOR ASSEMBLY
SCALE: 3"=1'-0"



BILL OF MATERIALS				
ITEM NO.	NO. REQ.	DESCRIPTION	MATL.	REMARKS
1	2	VERTICAL RADAR REFLECTOR	ALUM.	1/8 THK.
2	1	TOP REFLECTOR RING	ALUM.	1/8 THK.
3	1	TOP REFLECTOR PLATE	ALUM.	1/8 THK.
4	1	BOTTOM REFLECTOR RING	ALUM.	1/8 THK.
5	1	BOTTOM REFLECTOR PLATE	ALUM.	1/8 THK.
6	1	RADAR REFLECT. BASE PLATE	ALUM.	11 1/4 x 1/4 THK.
7	2	LIFTING EYE	ALUM.	1/2 DIA. ROD

NOTE:
SEE LATEST REVISION OF U.S.C.G. CIVIL ENGINEERING SPECIFICATION No. 374 FOR FABRICATION REQUIREMENTS.

REV.	DATE	APPR.	DESCRIPTION	BY
F	10-1-97	S.M.	MODIFIED BILL OF MATERIALS AND TITLE BLOCK.	S.M.
E	6-28-96	S.M.	ADDED OPTIONAL SECTION C-C & D-D.	S.M.
D	11-14-94	SW	CLARIFIED DIMENSION IN SECTION A-A.	S.M.
C	1-21-93	WD	MODIFIED NOTE AND TITLE.	S.M.
B	11-21-91	SW	ADDED 2 HOLES TO VIEW A-A	ANP
A	12-12-86	SW	DELETED ITEM 8. MODIFIED ITEM 7.	WD

DESIGNED: U.S. COAST GUARD HEADQUARTERS
 DRAWN: W.T.W. CIVIL ENGINEERING
 TRACED: P. Dickenson
 CHECKED: CH BUOY & MIN STR
 REVIEWED BY: DJ Ramsay
 CH SUPPORT EQ BR
 APPROVED: B. L. Stabile
 CHIEF OF DIVISION
 DATE: 5 JAN 73

UNLESS OTHERWISE SPECIFIED: ALL DIMENSIONS ARE IN INCHES. TOLERANCES: DIM. ±1/8 ANG. ±1°	DRAWING NUMBER 120316	REV. F
SCALE: AS NOTED	SHEET 1 OF 1	