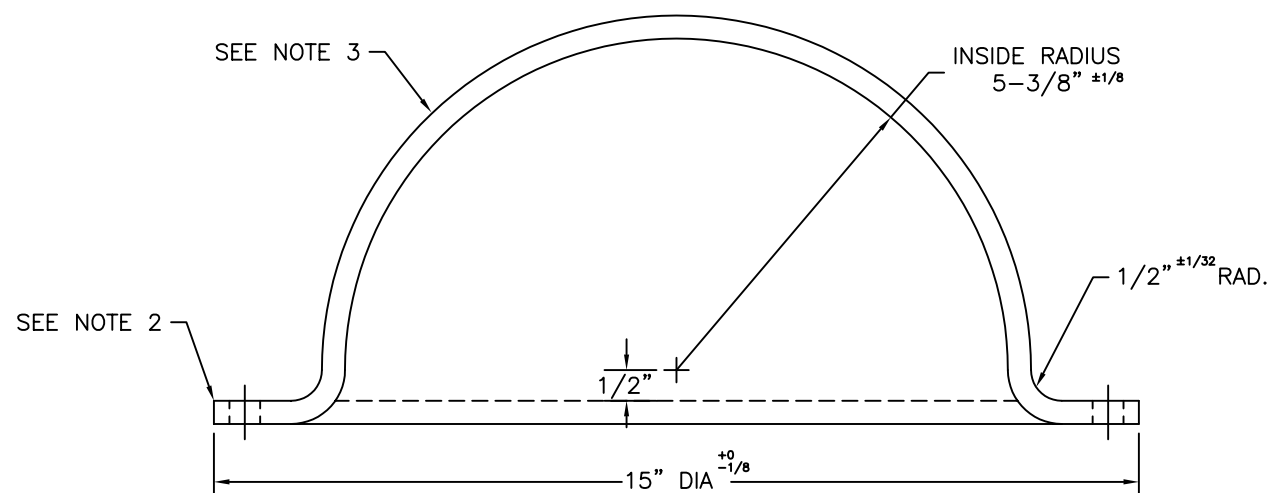


TOP VIEW



SECTION A-A

NOTES:

1. ALL DIMENSIONS ARE IN INCHES.
2. FLANGE SURFACES SHALL BE FLAT AND PARALLEL TO EACH OTHER WITHIN 0.01".
3. DOMES SHALL HAVE A UNIFORM CROSS-SECTIONAL THICKNESS OF 3/8" ±1/16.
4. SEE LATEST REVISION OF CIVIL ENGINEERING SPECIFICATION No. 345 FOR FABRICATION REQUIREMENTS.

REV.	DATE	APPR.	DESCRIPTION	BY
G	1-24-95	S.D.	REDRAWN INCLUSIVE OF ALL PREVIOUS REVISIONS. ADDED RAD. LOCATION DIMENSION TO SECTION A-A.	S.M.
DESIGNED:	P.J.G.		U.S. COAST GUARD	HEADQUARTERS
DRAWN:	W.D.		CIVIL ENGINEERING	
TRACED:	S.M.		LIGHTED ICE BUOY	
CHECKED:	K.J.H.		POLYCARBONATE	
REVIEWED BY:			DOMES	
PROJECT ENGINEER	S.D. Walker			
REVIEWED BY:				
REVIEWED BY:	D.H. DeBok			
	G-ECV-3B			
REVIEWED BY:		APPROVED:	Ray Ross	DATE
			CHIEF OF DIVISION	2/7/86
UNLESS OTHERWISE SPECIFIED: ALL DIMENSIONS ARE IN INCHES. TOLERANCES: DIM. AS NOTED ANG. AS NOTED			DRAWING NUMBER	REV.
			120981	G
			SCALE: HALF	SHEET 1 OF 1