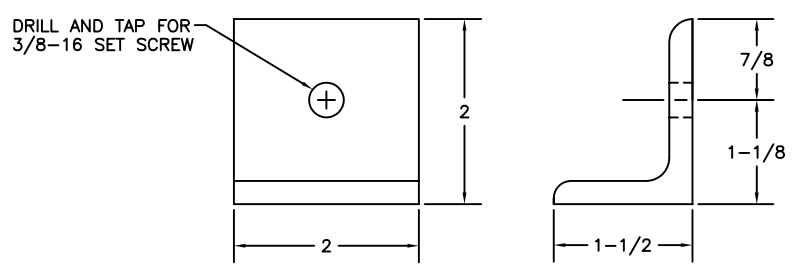
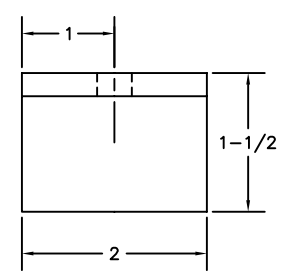
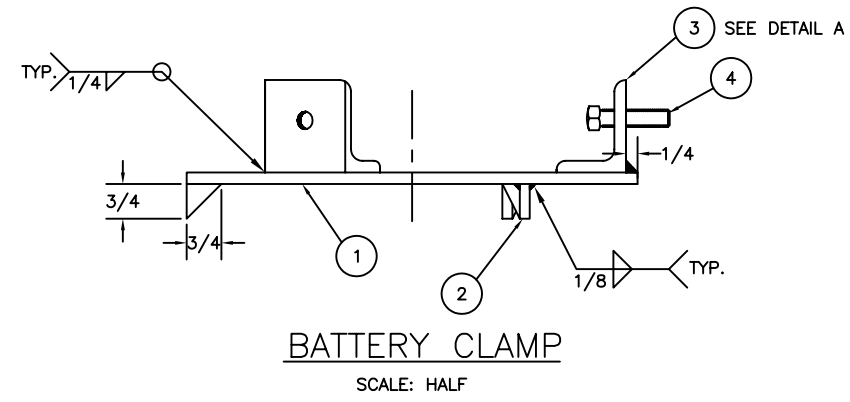
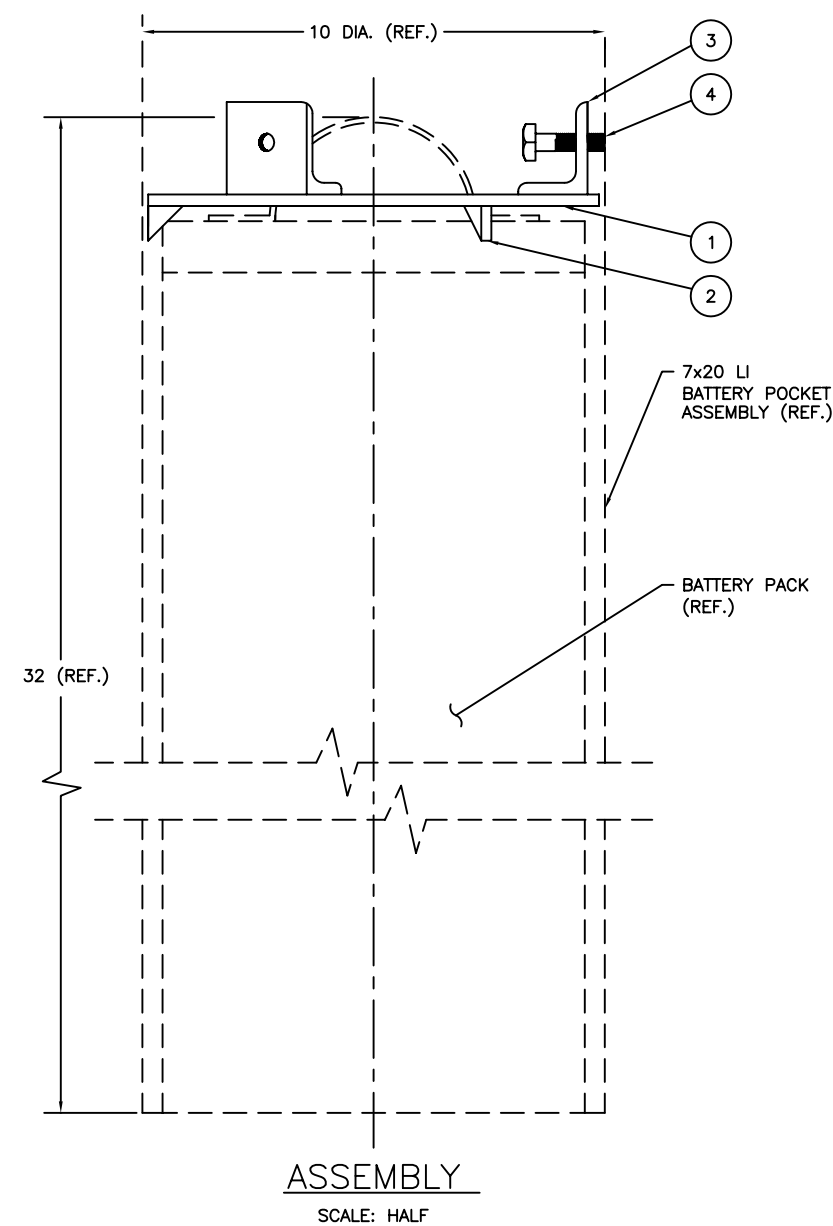
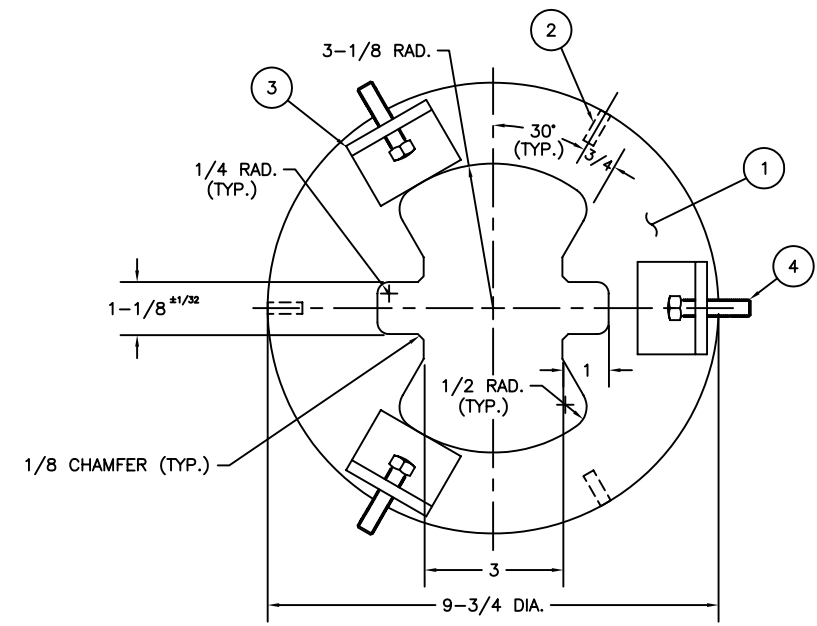
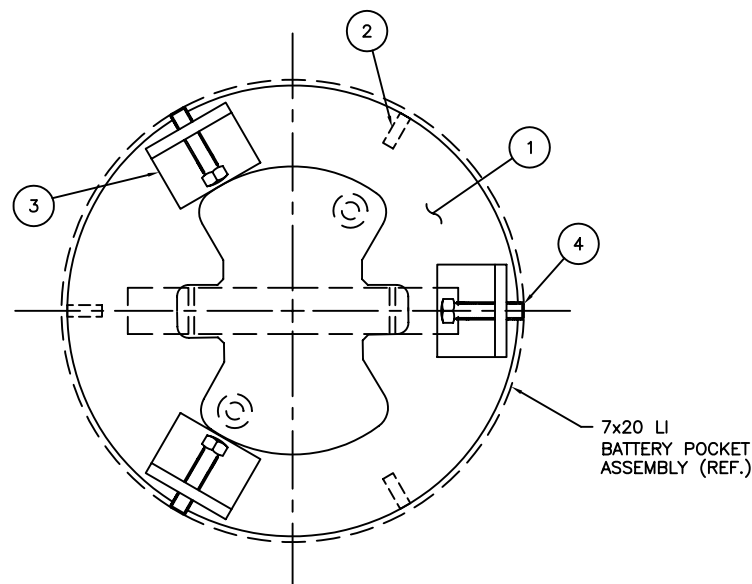


BILL OF MATERIALS

ITEM NO.	NO. REQ.	DESCRIPTION	MATL.	REMARKS
1	1	BASE PLATE	STEEL	9-3/4 DIA. x 1/4 THK
2	3	WEDGE PLATE	STEEL	3/4 x 3/4 TRIANGLE x 1/4 THICK
3	3	ANGLE	STEEL	1-1/2 x 2 x 1/4 L
4	3	SQUARE HEAD SET SCREW	STEEL	3/8-16 UNC x 1-1/2 LG.



DETAIL A  
SCALE: FULL

ASSEMBLY  
SCALE: HALF

REV.	DATE	APPR.	DESCRIPTION	BY
D	10-18-93	SM	REDRAWN USING AUTOCAD. REORGANIZED DRAWING. DETAIL A. DELETED FINISH MARKS.	D.A.B.
C	3-3-83	PJG	CHANGED TITLE BLOCK TO LIGHTED ICE BUOY.	GWB
B	12-3-81	PJG	BATTERY CLAMP CHANGED TO COMPLY WITH RELOCATING OF TERMINALS ON BATTERY PACK.	GWB
A	1-31-80	PJG	REMOVED NOTE AND BATTERY POCKET SPACER REQUIRED BY DISTRICT.	GWB
DESIGNED: GWB		U.S. COAST GUARD HEADQUARTERS		
DRAWN: GWB		CIVIL ENGINEERING		
TRACED: DB		LIGHTED ICE BUOY		
CHECKED: SM		BATTERY CLAMP		
REVIEWED BY:		P. J. Glahe CH. B & S SEC.		
REVIEWED BY:		L. R. Lomar CH. SIG. BR.		
APPROVED:		D. A. Naus		DATE 8/14/79
UNLESS OTHERWISE SPECIFIED: ALL DIMENSIONS ARE IN INCHES. TOLERANCES: DIM. ±1/8 ANG. ±1°		DRAWING NUMBER 120982		REV. D
SCALE: HALF		SHEET 1 OF 1		