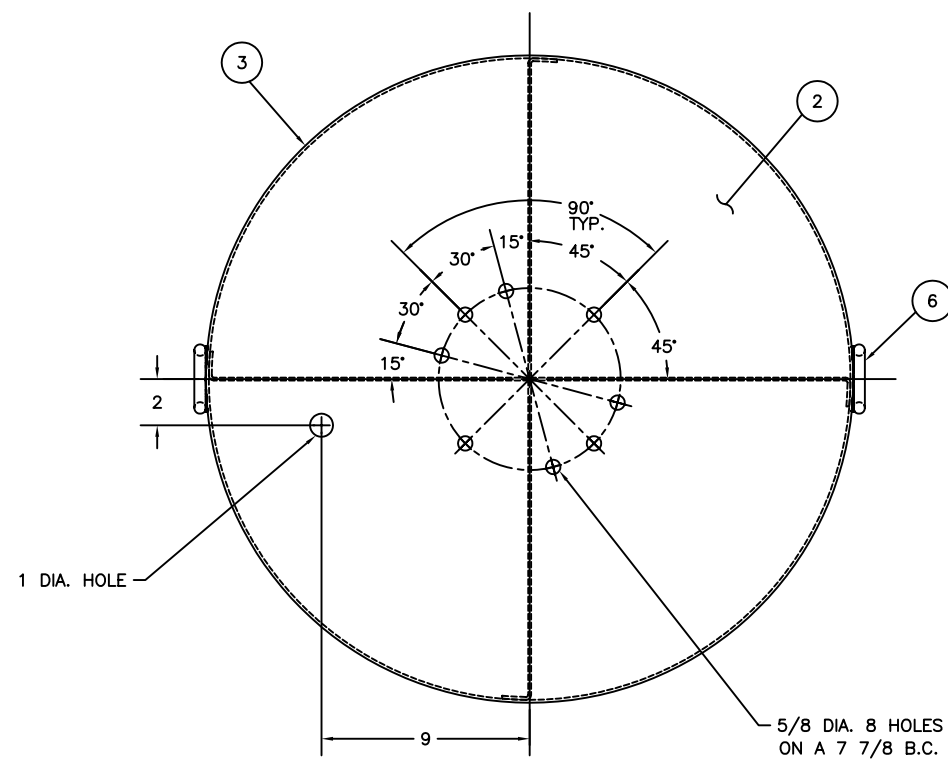
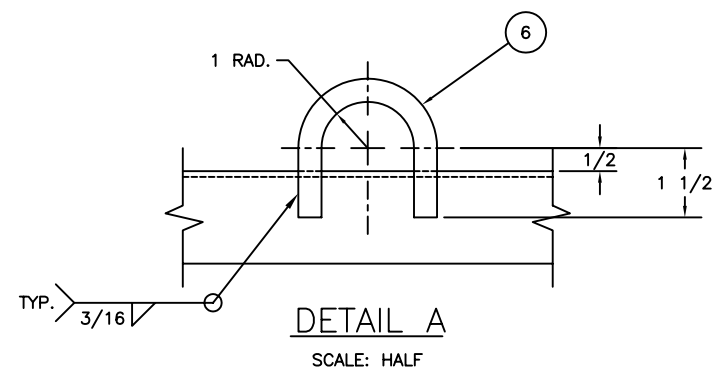


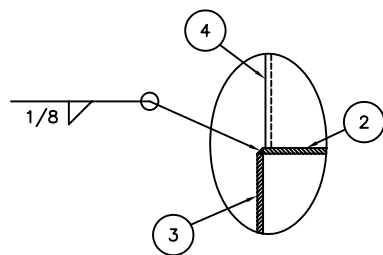
1 RADAR REFLECTOR ASSEMBLY  
SCALE: 3"=1'-0"



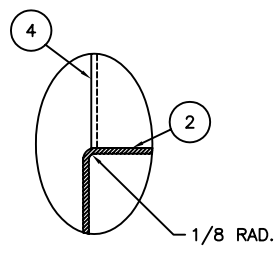
SECTION A-A  
SCALE: 3"=1'-0"



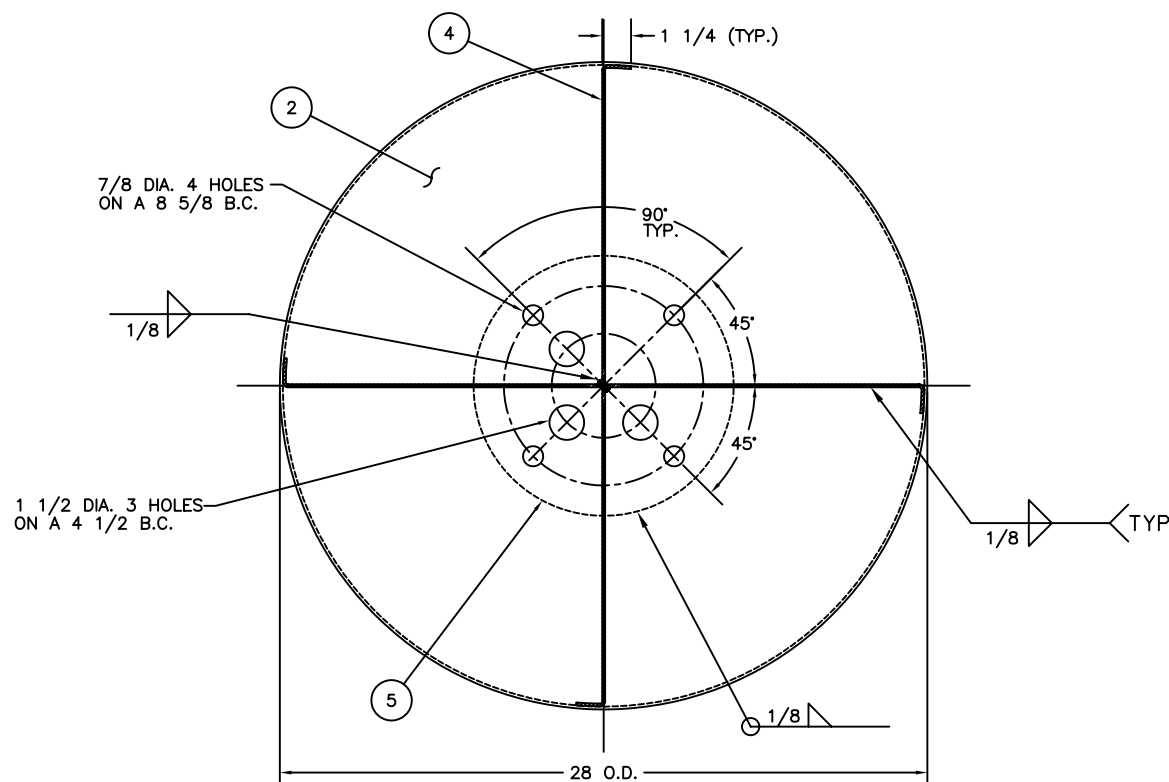
DETAIL A  
SCALE: HALF



DETAIL B  
SCALE: HALF



OPTIONAL  
SCALE: HALF



SECTION B-B  
SCALE: 3"=1'-0"

BILL OF MATERIALS				
ITEM NO.	NO. REQ.	DESCRIPTION	MATL.	REMARKS
1	1	RADAR REFLECTOR ASSEMBLY	ALUM.	
2	2	TOP & BOTTOM PLATE	ALUM.	1/8 THK.
3	2	FLANGE	ALUM.	1/8 THK.
4	2	VERTICAL R/R PLATE	ALUM.	1/8 THK.
5	1	BASE PLATE	ALUM.	11-1/4 DIA. x 1/4 THK.
6	2	LIFTING EYE	ALUM.	1/2 DIA. ROD

NOTE:

SEE LATEST REVISION OF U.S.C.G. CIVIL ENGINEERING SPECIFICATION No. 374 FOR FABRICATION REQUIREMENTS.

REV.	DATE	APPR.	DESCRIPTION	BY
G	11-30-95	SW	MODIFIED LOCATION OF 1" DIA. HOLE IN SECTION A-A.	S.M.
F	6-17-94	SW	MODIFIED BILL OF MATERIALS.	S.M.
E	1-21-93	WD	REORGANIZED DRAWING. MODIFIED NOTE AND TITLE.	S.M.
D	2-25-92	SW	ADDED 2 HOLES TO TOP VIEW.	S.M.
C	3-13-91	SW	REDRAWN USING AUTOCAD.	DAG
B	5-10-83	PJG	CHANGED 8 7/8 B.C. TO 8 5/8 B.C.	GWB
A	7-28-82	PJG	CHANGED DRAWING NUMBER.	GWB

DESIGNED: U.S. COAST GUARD HEADQUARTERS  
 DRAWN: GWB  
 TRACED: S.M.  
 CHECKED:  
 REVIEWED BY:  
 P.J. Glohe  
 G-EOE-4B  
 REVIEWED BY:  
 R. Bates  
 G-EOE-4  
 APPROVED: F. Boersma  
 CHIEF OF DIVISION  
 DATE: 27 MAY 82

UNLESS OTHERWISE SPECIFIED:  
 ALL DIMENSIONS ARE IN INCHES.  
 TOLERANCES: DIM. ±1/8  
 ANG. ±30°

DRAWING NUMBER: 121024  
 REV. G  
 SCALE: AS NOTED SHEET 1 OF 1