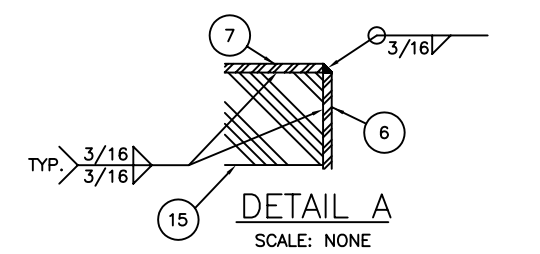
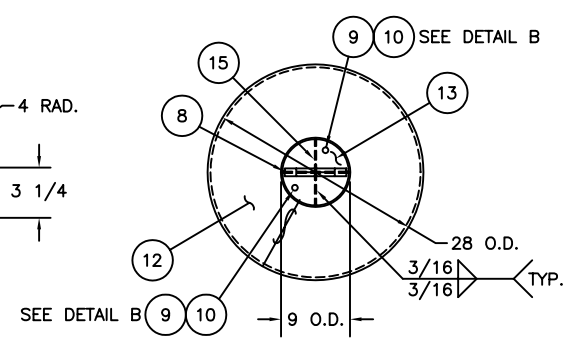
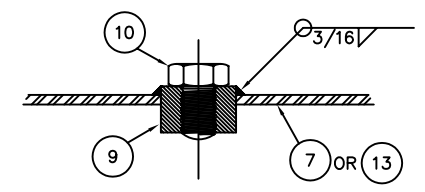


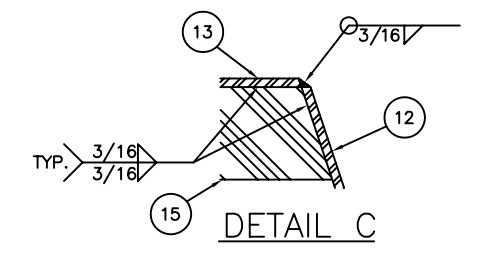
LIFTING EYE
SCALE: 1 1/2"=1'-0"



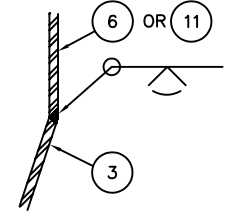
DETAIL A
SCALE: NONE



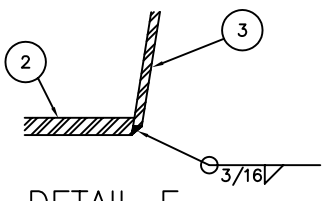
DETAIL B
SCALE: NONE



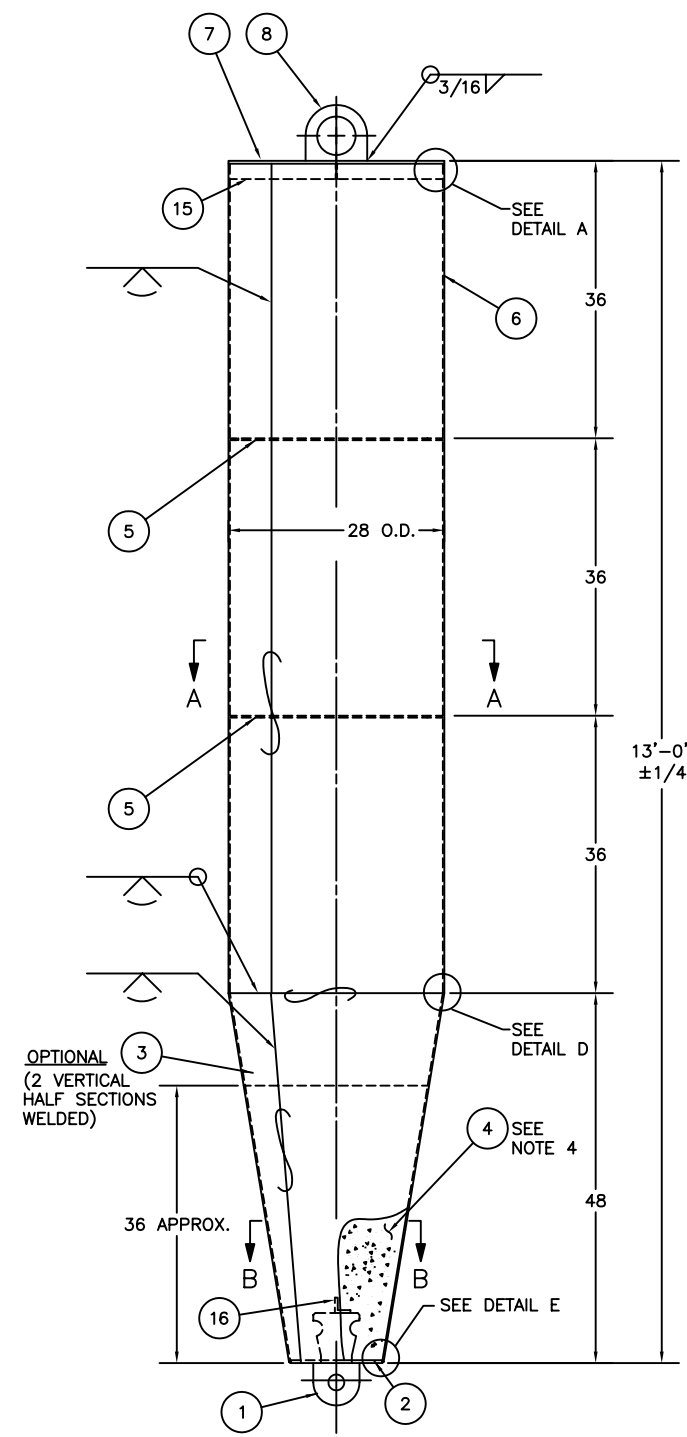
DETAIL C
SCALE: NONE



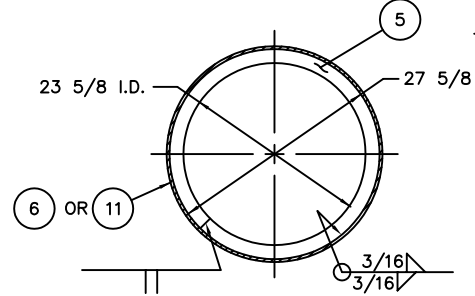
DETAIL D
SCALE: NONE



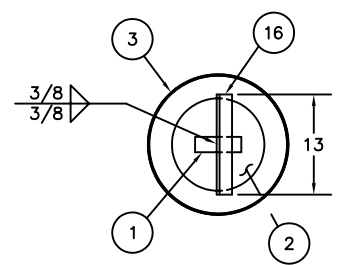
DETAIL E
SCALE: NONE



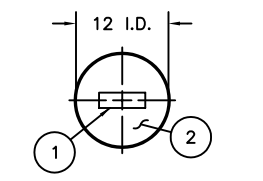
3CI
SCALE: 1"=1'-0"



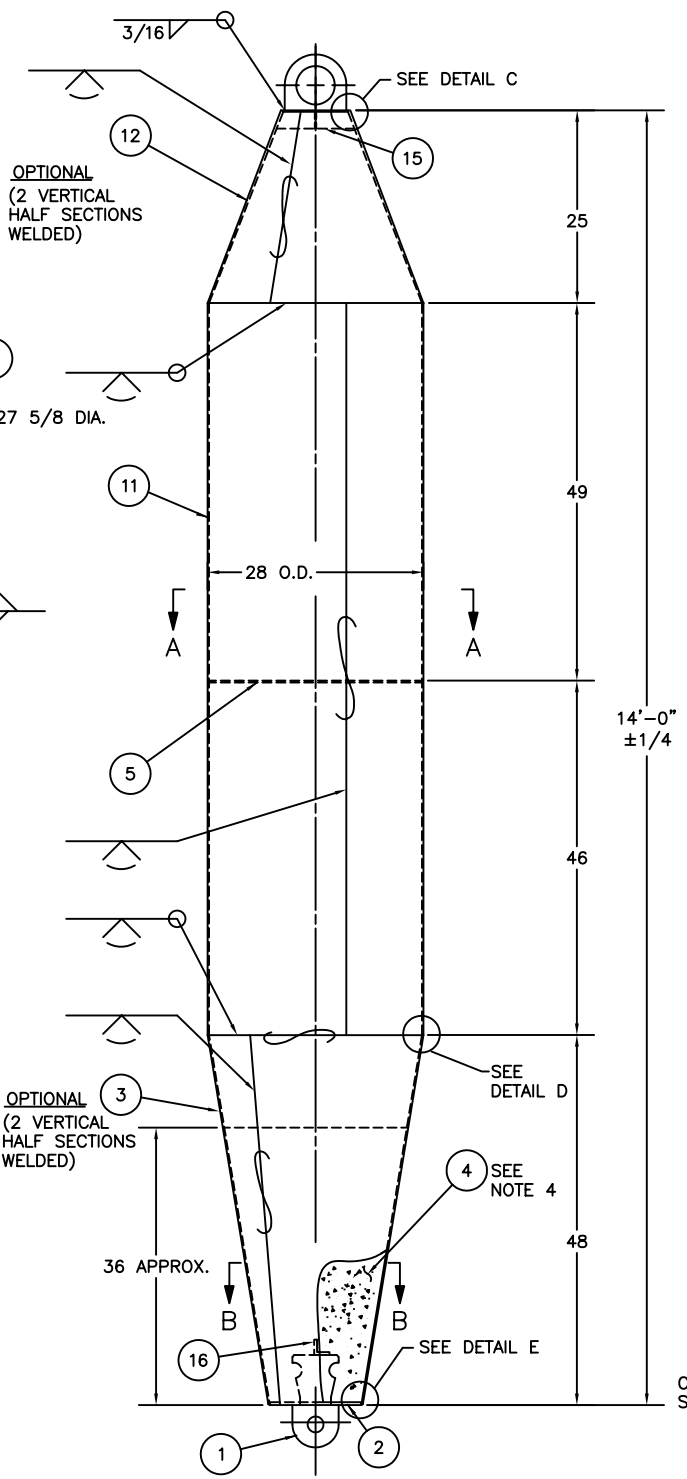
SECTION A-A
SCALE: 1"=1'-0"



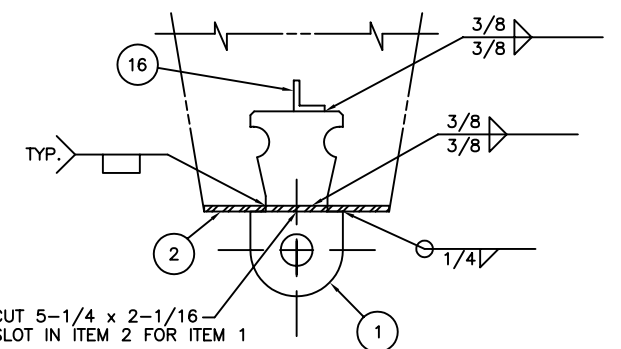
SECTION B-B
SCALE: 1"=1'-0"



BOTTOM VIEW
SCALE: 1"=1'-0"



3NI
SCALE: 1"=1'-0"



MOORING EYE
SCALE: NONE

BILL OF MATERIALS				
ITEM NO.	NO. REQ.	DESCRIPTION	MATL.	REMARKS
1	1	MOORING EYE	STEEL	SEE DRAWING 121153
2	1	BOTTOM PLATE	STEEL	12 O.D. x 3/8 THK.
3	1	BOTTOM CONE	STEEL	3/16 THK.
4	1	COUNTERWEIGHT	CONCRETE	SEE NOTE 4
5	2	STIFFNER RING	STEEL	27-5/8 O.D. x 23-5/8 I.D. x 1/4 THK
6	1	CAN WRAPPER	STEEL	3/16 THK.
7	1	CAN TOP PLATE	STEEL	27-5/8 O.D. x 3/16 THK.
8	1	LIFT EYE	STEEL	1 THK.
9	2	HALF COUPLING	STAIN. STEEL	3/4 NPT
10	2	PIPE PLUG	STAIN. STEEL	3/4 NPT
11	1	NUN WRAPPER	STEEL	3/16 THK.
12	1	TOP CONE	STEEL	3/16 THK.
13	1	NUN TOP PLATE	STEEL	8-5/8 O.D. x 3/16 THK.
14				
15	2	TOP PLATE STIFFNER	STEEL	2 x 3/16 THK.
16	1	MOORING EYE STIFFNER	STEEL	2 x 2 x 3/8 L x 13 LONG

- NOTES:
- SEE LATEST REVISION OF U.S.C.G. CIVIL ENGINEERING SPECIFICATION No. 464 FOR FABRICATION REQUIREMENTS.
 - FOR MANUFACTURE OF 3 CI BUOY ITEMS 1 THRU 10, 15, & 16 ARE REQUIRED.
 - FOR MANUFACTURE OF 3 NI BUOY ITEMS 1 THRU 5 & ITEMS 8 THRU 16 ARE REQUIRED. (NOTE ONLY 1 EACH OF ITEM 5 IS REQUIRED)
 - POUR ITEM 4 INTO ITEM 3 PRIOR TO ASSEMBLY. THE TOTAL WEIGHT OF ITEMS 1, 2, 3, 4, & 16 SHALL BE 985 LBS. (+5% OR -1%).

REV.	DATE	APPR.	DESCRIPTION	BY
H	12-3-02	WD	CORRECTED OVERALL DIMENSION FOR 3CI & 3NI.	S.M.
G	6-4-99	SW	ADDED ADDITIONAL AIR TEST FITTING (ITEMS 9 & 10).	S.M.
F	10-1-97	SW	MODIFIED ITEMS 8 & 15. DELETED ITEM 14.	S.M.
E	10-31-94	SW	MODIFIED WELDING DETAILS.	S.M.
D	10-28-92	WD	MODIFIED BILL OF MATERIALS, NOTE 3, AND ITEM 1. ADDED ITEM 16, SECTION B-B, AND NOTE 4.	S.M.
C	1-16-91	SW	REDRAWN USING AUTOCAD	DAG
B	3-10-83	PJG	ADDED OPTIONAL NOTE ON ITEMS 2, 3 & 12	GWB
A	1-4-83	PJG	ADDED STIFFNER FOR ITEM 8	GWB

DESIGNED: PJG
DRAWN: GWB
TRACED: DAG
CHECKED:
REVIEWED BY:
P.J. Glohe
G-EOE-4B
REVIEWED BY:
C.B. Doherty
G-EOE-4

U.S. COAST GUARD HEADQUARTERS
CIVIL ENGINEERING
3CI & 3NI BUOYS

APPROVED: Lloyd Lomer
CHIEF OF DIVISION
DATE: 10-28-82

UNLESS OTHERWISE SPECIFIED:
ALL DIMENSIONS ARE IN INCHES.
TOLERANCES: DIM. ±1/8
ANG. ±30'

DRAWING NUMBER: 121028
REV. H
SCALE: AS NOTED SHEET 1 OF 1