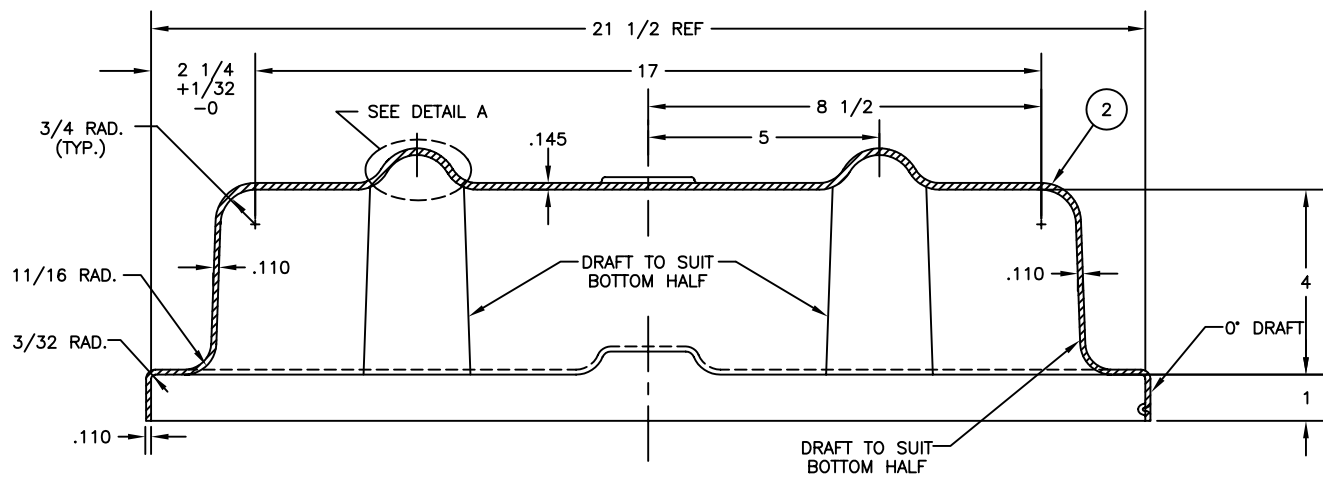
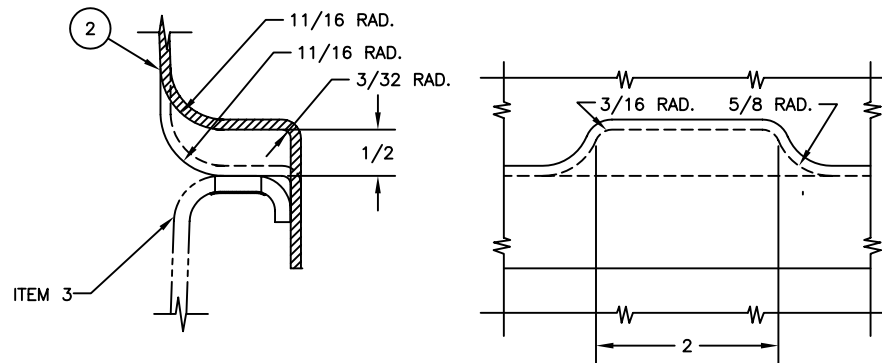


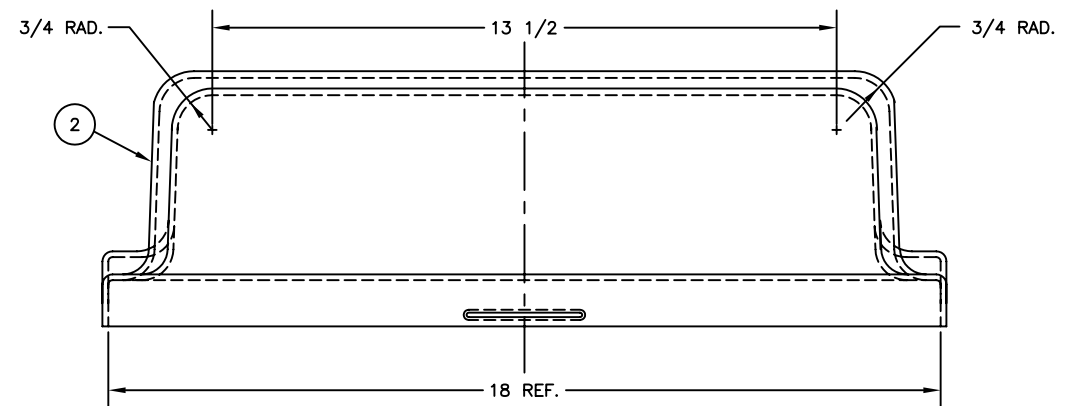
TOP VIEW
SCALE: HALF



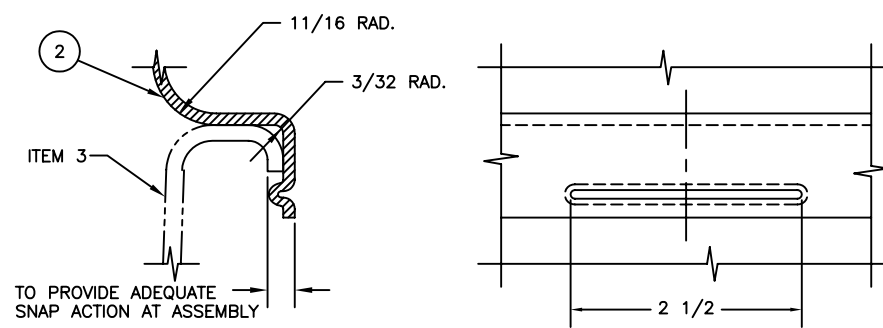
SECTION THROUGH TOP
SCALE: HALF



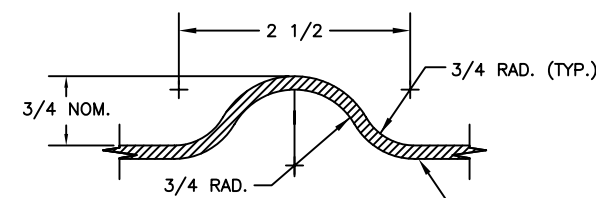
SECTION A-A
SCALE: FULL



END VIEW
SCALE: HALF



SECTION B-B
SCALE: FULL



DETAIL A
SCALE: FULL

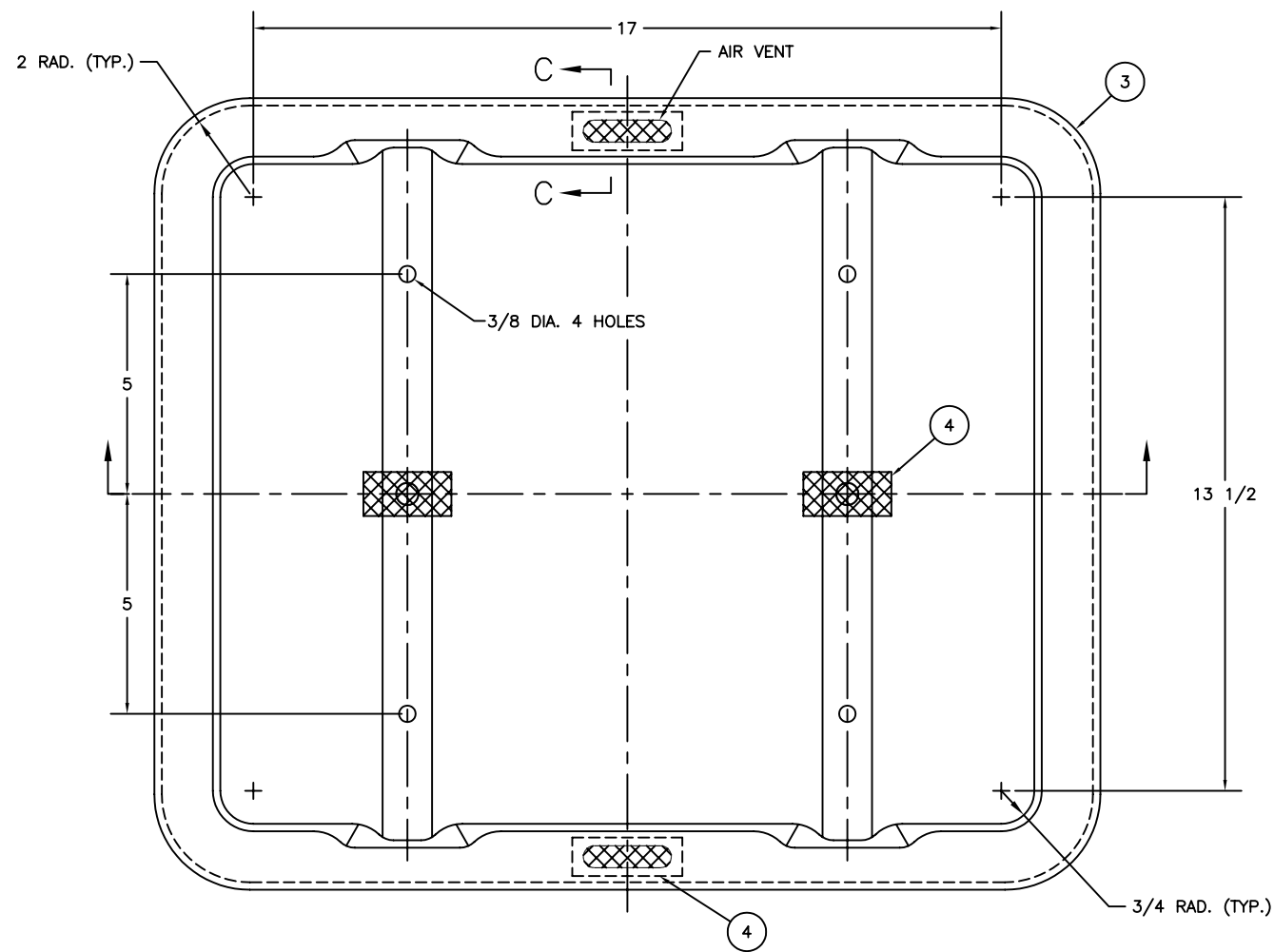
BILL OF MATERIALS				
ITEM NO.	NO. REQ.	DESCRIPTION	MATL.	REMARKS
1	1	BATTERY BOX ASSEMBLY	-	SEE SPEC.
2	1	TOP HALF	PLASTIC	SEE SPEC.

NOTES:
1. SEE LATEST REVISION OF U.S.C.G. CIVIL ENGINEERING SPECIFICATION No. 199 FOR FABRICATION REQUIREMENTS.

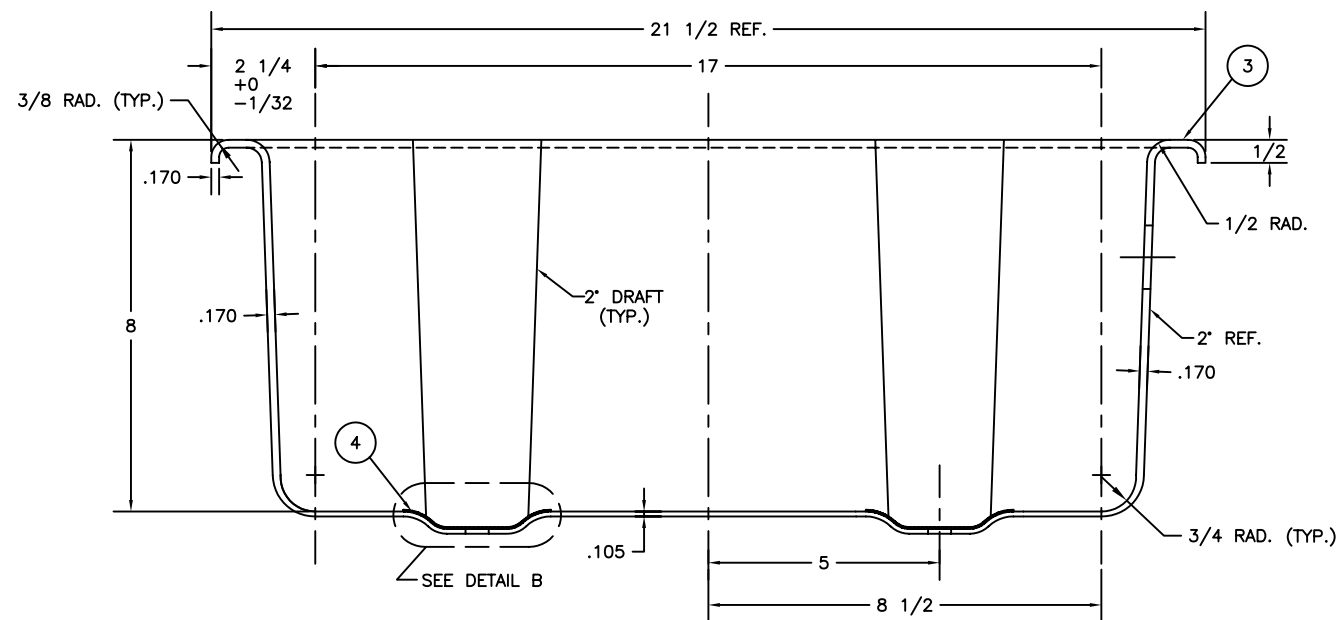
TABLE I	
THICKNESS	TOLERANCE
.145	+.062, -.010
.110	+.062, -.010

REV.	DATE	APPR.	DESCRIPTION	BY
D	9-28-05	S.M.	CHANGED TOP TO BOTTOM IN DWG TITLE ON PAGE 2	D.S.
C	11-17-97	SW	MOD DIMS TO CORESPOND WITH ACTUAL DIMS AFTER THE MOLDING PROCESS. MOD THICKNESS IN TABLES I AND II.	S.M.
B	10-9-96	S.W.	REDRAWN USING AUTOCAD. ADDED NOTES.	S.M.
A	8-29-85	SW	CHANGED TOP VIEW DIMENSION FROM 6 TO 6 1/2. CHANGED DETAIL A DIMENSION FROM 1/2 TO 3/8 NOM.	W.D.

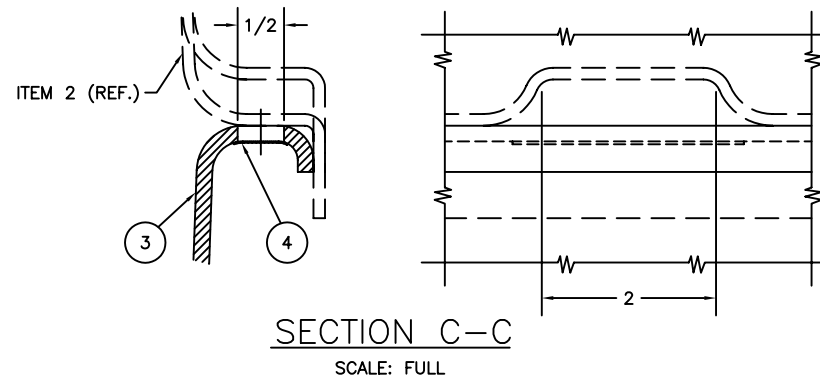
DESIGNED: S.D.W. DRAWN: G.W.B. TRACED: S.M. CHECKED: S.D.W. REVIEWED BY: Stan Walker G-EOE-4B	U.S. COAST GUARD HEADQUARTERS CIVIL ENGINEERING A/N SMALL BATTERY BOX TOP HALF	DATE 8/7/84
REVIEWED BY: L. G. Brudnicki G-EOE-4	APPROVED: R. Ross CHIEF OF DIVISION	DRAWING NUMBER 121055 REV. D
UNLESS OTHERWISE SPECIFIED: ALL DIMENSIONS ARE IN INCHES. TOLERANCES: DIM. ±1/8 ANG. ±30°		SCALE: AS NOTED SHEET 1 OF 2



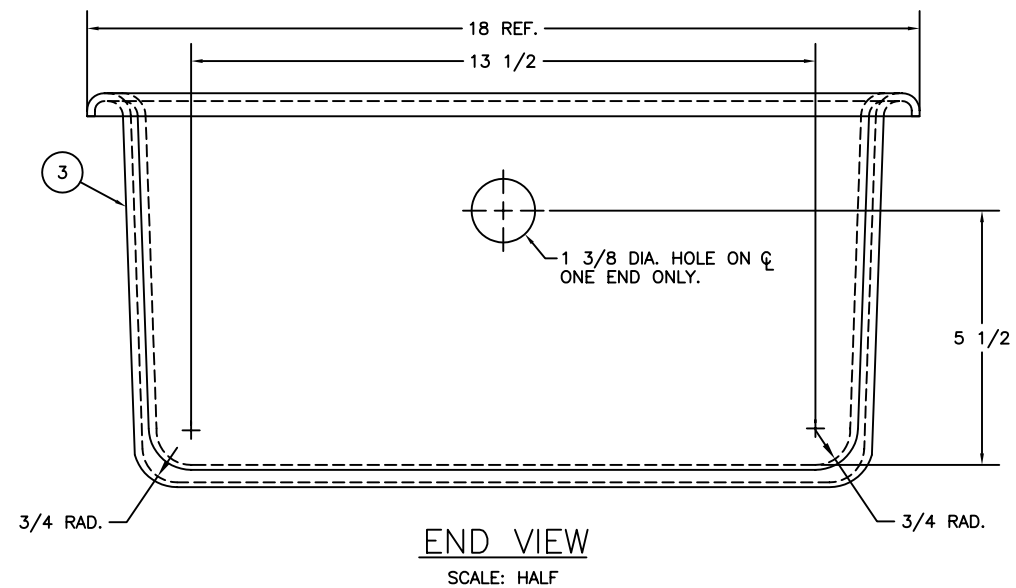
TOP VIEW BOTTOM HALF
SCALE: HALF



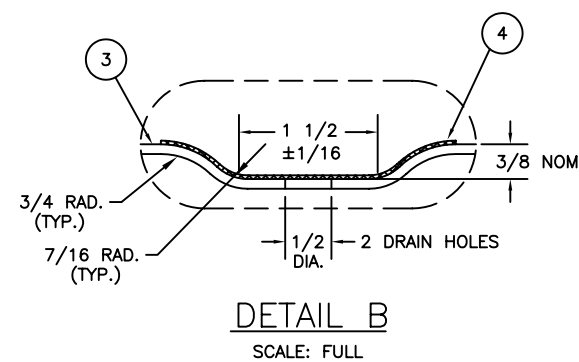
SECTION THROUGH BOTTOM HALF
SCALE: HALF



SECTION C-C
SCALE: FULL



END VIEW
SCALE: HALF



DETAIL B
SCALE: FULL

TABLE II	
THICKNESS	TOLERANCE
.105	+.062, -.025
.170	+.062, -.025

BILL OF MATERIALS				
ITEM NO.	NO. REQ.	DESCRIPTION	MATL.	REMARKS
3	1	BOTTOM HALF	PLASTIC	SEE SPEC.
4	AR	SCREEN	FIBER GLASS	SEE SPEC.

NOTES:

- SEE LATEST REVISION OF U.S.C.G. CIVIL ENGINEERING SPECIFICATION No. 199 FOR FABRICATION REQUIREMENTS.

D	9-28-05	S.M.	CHANGED TOP TO BOTTOM IN DWG TITLE ON PAGE 2	D.S.
C	11-17-97	SW	MOD DIMS TO CORESPOND WITH ACTUAL DIMS AFTER THE MOLDING PROCESS. MOD THICKNESS IN TABLES I AND II.	SM
B	10-9-96	SW	REDRAWN USING AUTOCAD. ADDED NOTES.	S.M.
A	8-29-85	SW	CHANGED END VIEW DIMENSION FROM 6 TO 5 1/2.	W.D.
REV.	DATE	APPR.	DESCRIPTION	BY
DESIGNED:	S.D.W.	U.S. COAST GUARD HEADQUARTERS		
DRAWN:	G.W.B.	CIVIL ENGINEERING		
TRACED:	S.M.	A/N		
CHECKED:	S.D.W.	SMALL BATTERY BOX		
REVIEWED BY:		BOTTOM HALF		
Stan Walker	G-EOE-4B			
REVIEWED BY:				
L. G. Brudnicki	G-EOE-4			
REVIEWED BY:		APPROVED:	R. Ross	DATE: 8/7/84
D. H. DeBok		CHIEF OF DIVISION		
UNLESS OTHERWISE SPECIFIED: ALL DIMENSIONS ARE IN INCHES. TOLERANCES: DIM. ±1/8 ANG. ±30°			DRAWING NUMBER	REV.
			121055	D
SCALE: AS NOTED			SHEET 2 OF 2	