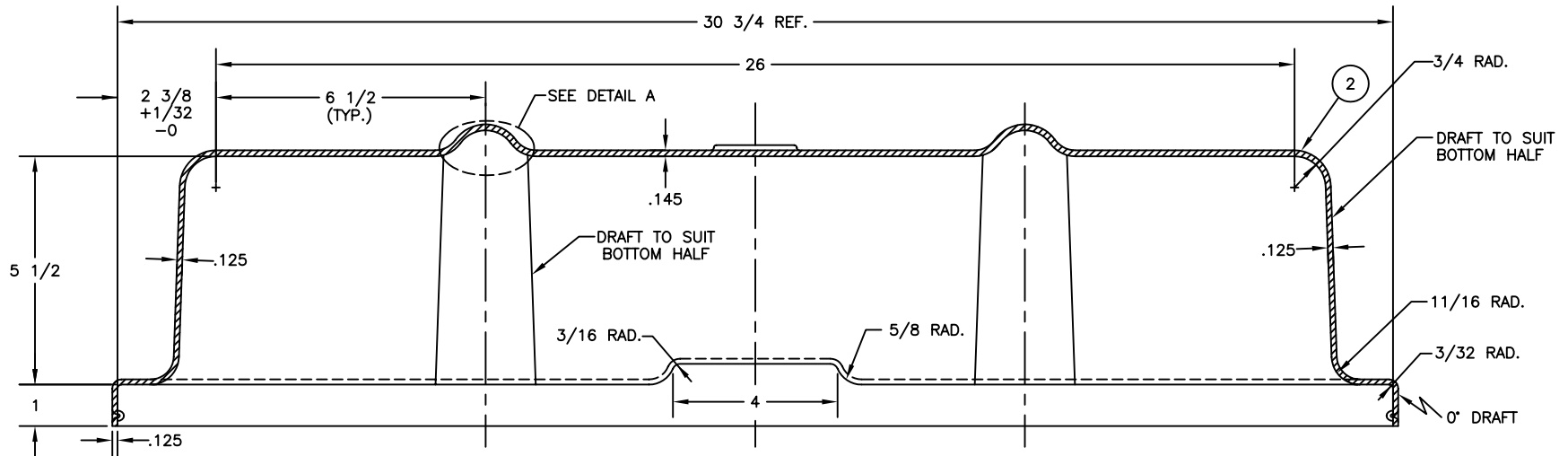


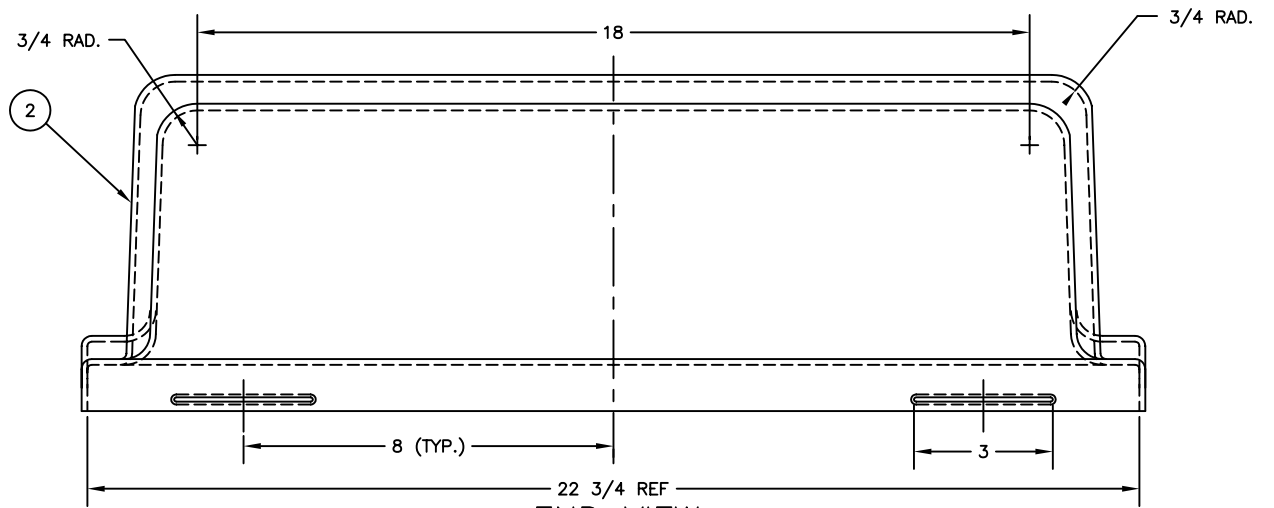
TOP VIEW
SCALE: HALF



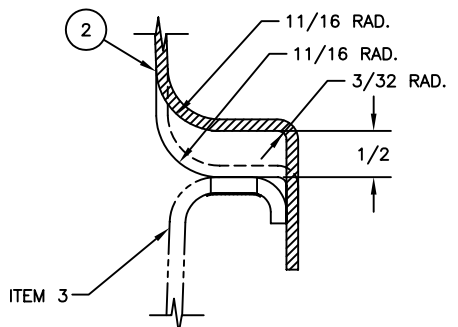
SECTION THROUGH TOP
SCALE: HALF

BILL OF MATERIALS				
ITEM NO.	NO. REQ.	DESCRIPTION	MATL.	REMARKS
1	1	BATTERY BOX ASSEMBLY	-	SEE SPEC.
2	1	TOP HALF	PLASTIC	SEE SPEC.

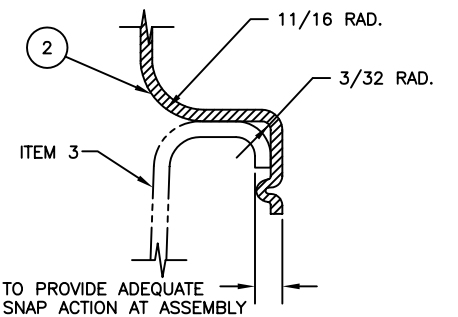
NOTES:
1. SEE LATEST REVISION OF U.S.C.G. CIVIL ENGINEERING SPECIFICATION No. 199 FOR FABRICATION REQUIREMENTS.



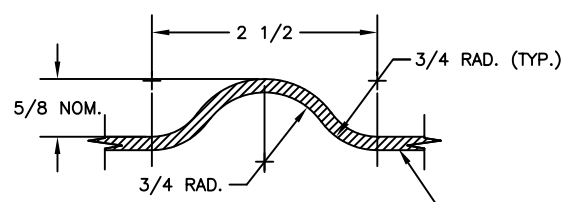
END VIEW
SCALE: HALF



SECTION A-A
SCALE: FULL



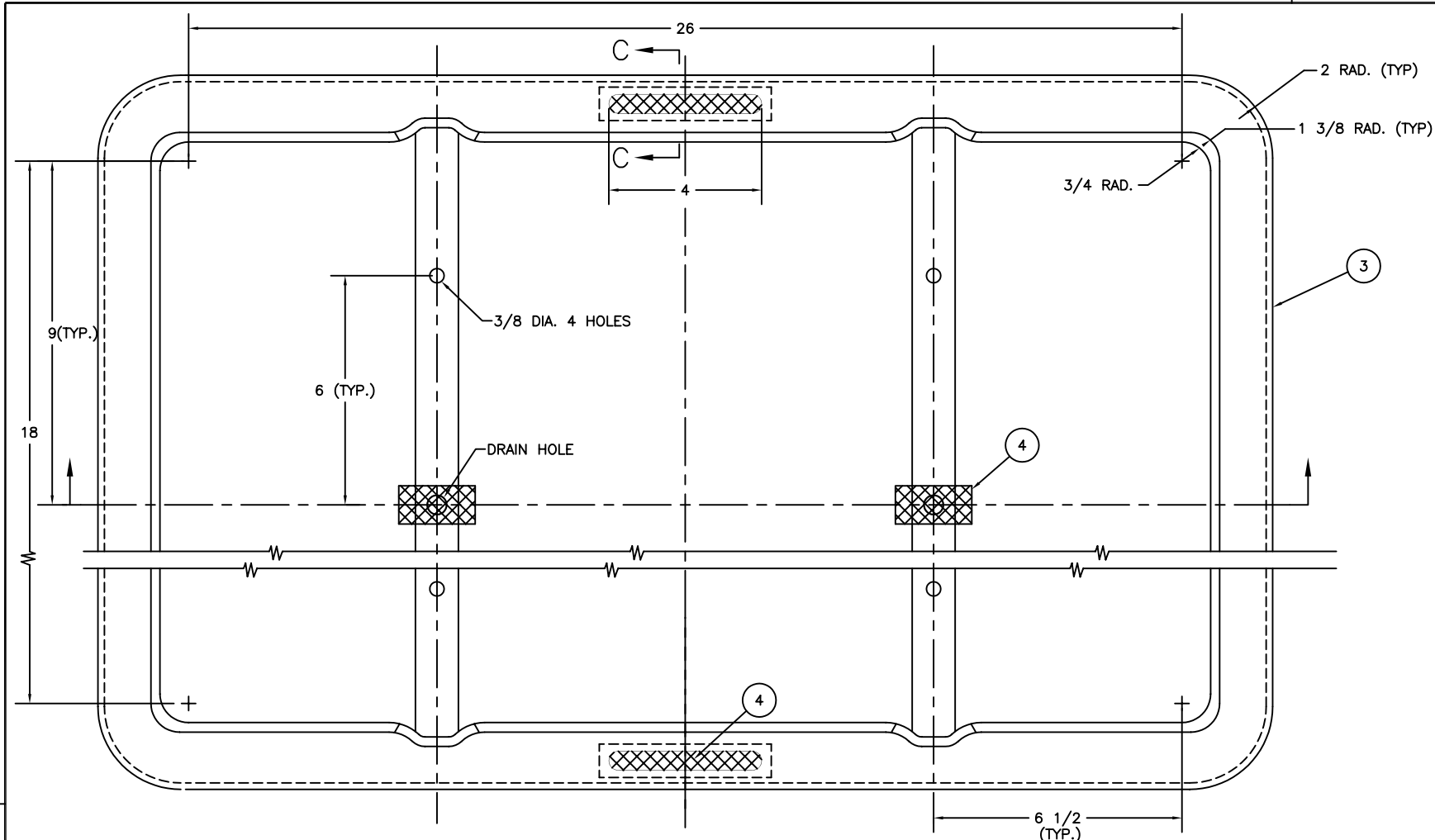
SECTION B-B
SCALE: FULL



DETAIL A
SCALE: FULL

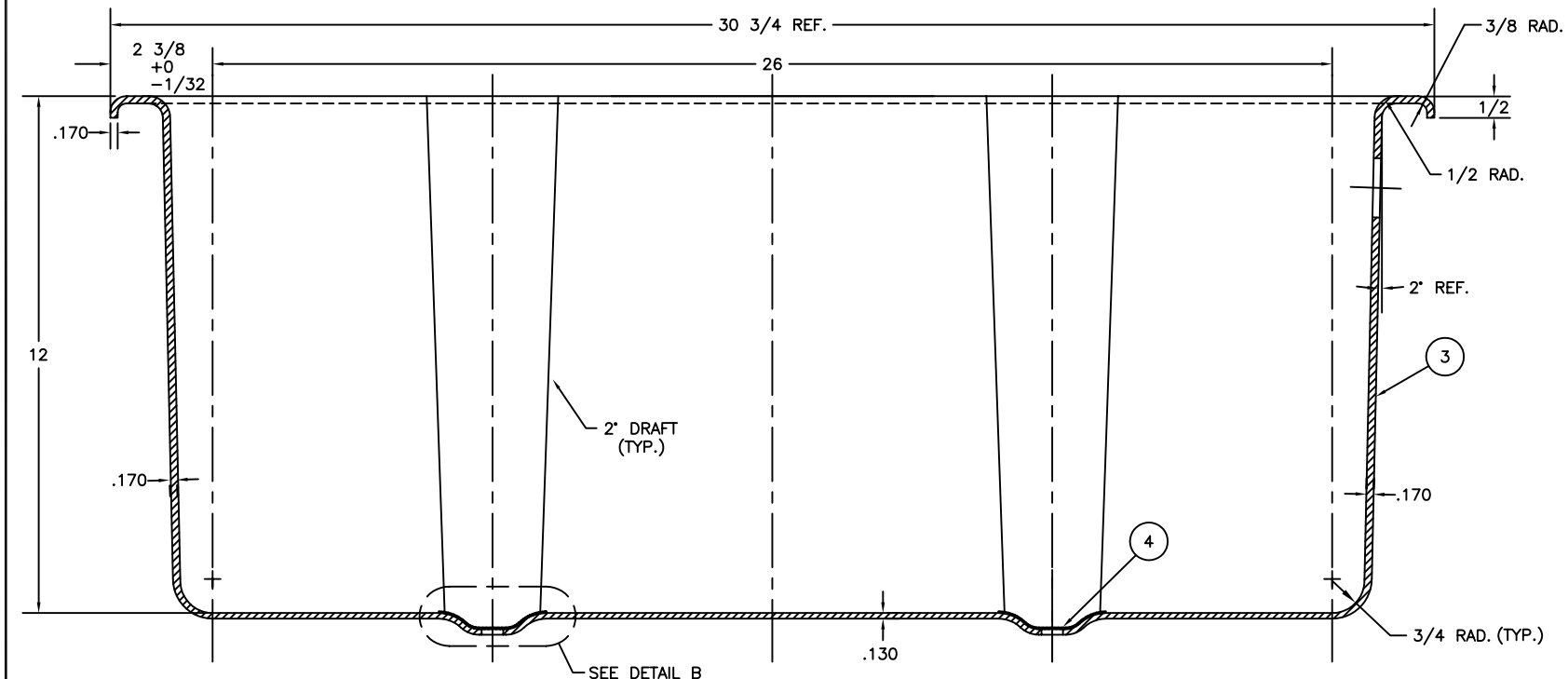
TABLE 1	
THICKNESS	TOLERANCE
.145	+.062, -.010
.125	+.062, -.010

B	10-9-96	S.W.	REDRAWN USING AUTOCAD. ADDED NOTES.	S.M.
A	8-29-85	SW	CHANGED DETAIL A FROM 1/2 TO 5/8 NOM	W.D.
REV.	DATE	APPR.	DESCRIPTION	BY
DESIGNED:	S.D.W.	U.S. COAST GUARD HEADQUARTERS		
DRAWN:	G.W.B.	CIVIL ENGINEERING		
TRACED:	S.M.	A/N		
CHECKED:	S.D.W.	LARGE BATTERY BOX		
REVIEWED BY:		TOP HALF		
Stan Walker	G-EOE-4B	APPROVED:	R. Ross	DATE: 8/7/84
L. G. Brudnicki	G-EOE-4C	CHIEF OF DIVISION		
D. H. Debok	G-EOE-4			
UNLESS OTHERWISE SPECIFIED: ALL DIMENSIONS ARE IN INCHES. TOLERANCES: DIM. ±1/8 ANG. ±30'			DRAWING NUMBER	REV.
			121065	B
SCALE: AS NOTED			SHEET 1 OF 2	



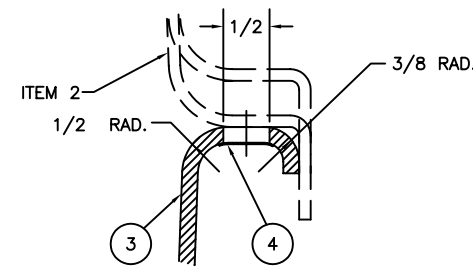
TOP VIEW BOTTOM HALF

SCALE: HALF



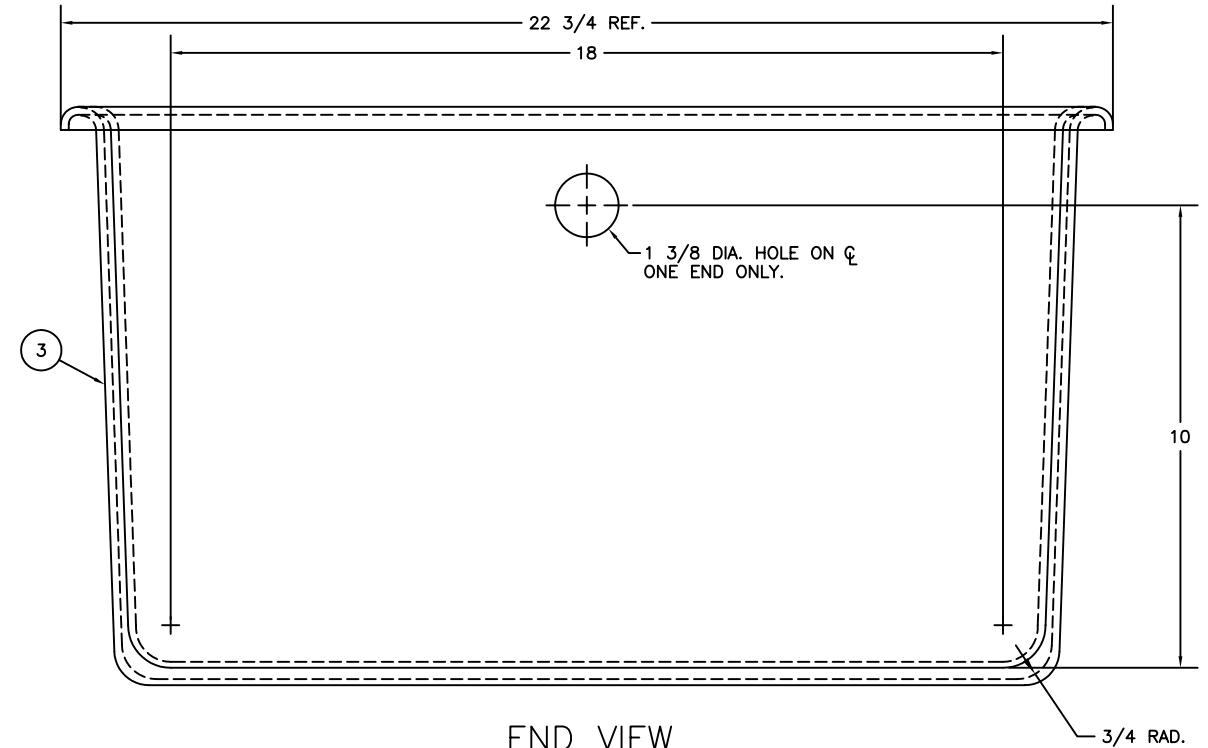
SECTION THROUGH BOTTOM HALF

SCALE: HALF



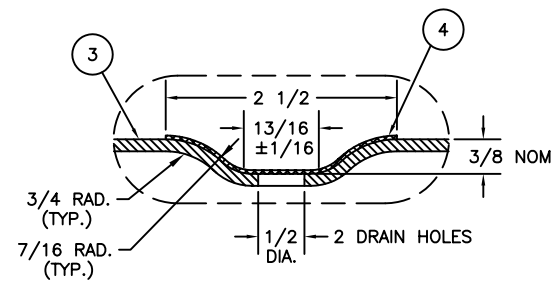
SECTION C-C

SCALE: FULL



END VIEW

SCALE: HALF



DETAIL B

SCALE: FULL

TABLE II	
THICKNESS	TOLERANCE
.130	+.062, -.025
.170	+.062, -.025

BILL OF MATERIALS				
ITEM NO.	NO. REQ.	DESCRIPTION	MATL.	REMARKS
3	1	BOTTOM HALF	PLASTIC	SEE SPEC.
4	AR	SCREEN	FIBER GLASS	SEE SPEC.

NOTES:

- SEE LATEST REVISION OF U.S.C.G. CIVIL ENGINEERING SPECIFICATION No. 199 FOR FABRICATION REQUIREMENTS.

B	10-9-96	S.W.	REDRAWN USING AUTOCAD. ADDED NOTES.	S.M.
A	8-29-85	SW	SEE SHEET 1.	W.D.
REV.	DATE	APPR.	DESCRIPTION	BY
DESIGNED:	S.D.W.	U.S. COAST GUARD HEADQUARTERS		
DRAWN:	G.W.B.	CIVIL ENGINEERING		
TRACED:	S.M.	A/N		
CHECKED:	S.D.W.	LARGE BATTERY BOX		
REVIEWED BY:		BOTTOM HALF		
Stan Walker	G-EOE-4B	APPROVED:	R. Ross	DATE
L. G. Brudnicki	G-EOE-4C		CHIEF OF DIVISION	8/7/84
D. H. Debok	G-EOE-4	UNLESS OTHERWISE SPECIFIED: ALL DIMENSIONS ARE IN INCHES. TOLERANCES: DIM. ±1/8 ANG. ±30'		DRAWING NUMBER
			121065	REV. B
SCALE: AS NOTED			SHEET 2 OF 2	