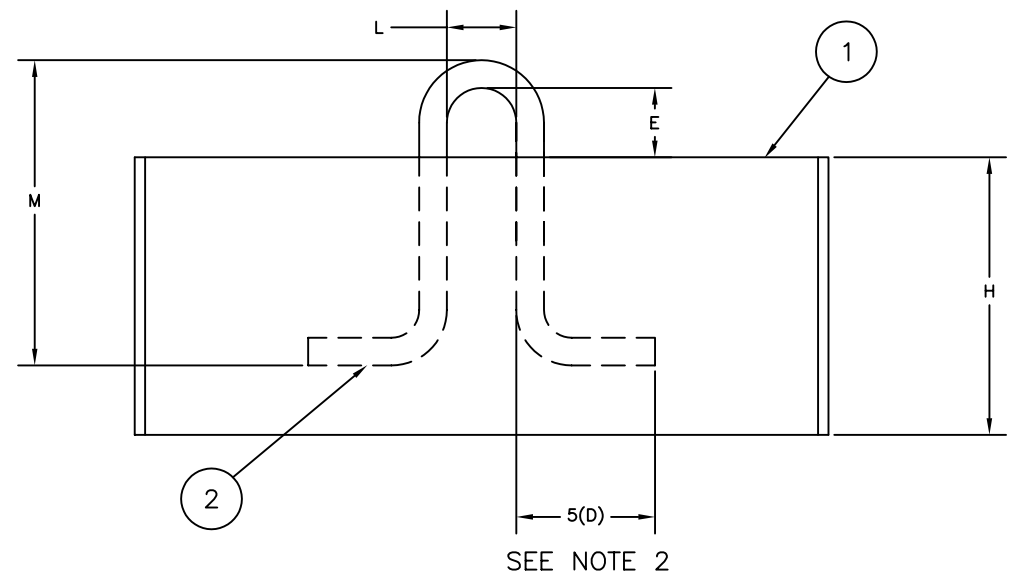


NOMINAL WEIGHT (LB.)	SINKER DIMENSIONS (IN.) (SEE NOTE 3)					
	W	H	D	L	E	M
20,000	70	51	2	5	5	22
18,000	70	46	2	5	5	22
15,000	70	38	2	5	5	22
12,500	60	43	2	5	5	22
8,500	60	30	2	5	5	22
6,500	60	23	2	5	5	22
5,000	50	25	2	5	5	22
4,000	50	20	2	5	5	22
3,000	50	15	2	5	5	17
2,000	36	20	1 1/2	5	5	22
1000	36	10	1 1/2	5	5	12
500	22	14	1 1/2	5	5	17
250	22	7	1 1/2	5	5	11

- TOLERANCES:
1. SINKER DIMENSIONS:  $\pm 1/2"$
  2. BAIL DIAMETER:  $\pm 1/32"$
  3. ANGULAR DIMENSIONS:  $\pm 1'$
  4. DIMENSIONS FOR BAIL INSTALLATION:  $\pm 1/8"$



BILL OF MATERIALS				
ITEM NO.	NO. REQ.	DESCRIPTION	MATL.	REMARKS
1	1	SINKER	CONCRETE	ASTM C150, TYPE 1
2	1	BAIL	STEEL	ASTM A36

- NOTES:
1. SEE LATEST REVISION OF U.S.C.G. CIVIL ENGINEERING SPECIFICATION No. 407 FOR FABRICATION REQUIREMENTS.
  2. FOR 500 LB. SINKER AND 250 LB. SINKER USE THE DIMENSION "3(D)".
  3. (OPTIONAL) THE CONTRACTOR MAY PROVIDE SINKERS UTILIZING "W" AND "H" DIMENSIONS DIFFERENT THAN THOSE SHOWN IN THE TABLE, PROVIDED THE NOMINAL WEIGHTS REMAIN THE SAME.

B	6-16 -03	W.D.	HEIGHT OF 250 LB SINKER MODIFIED.	K.H.
A	3-2 -00	W.D.	REDRAWN USING AUTOCAD. MODIFIED NOTES AND BILL OF MATERIALS	S.M.
REV.	DATE	APPR.	DESCRIPTION	BY
DESIGNED:	W.D.	U.S. COAST GUARD HEADQUARTERS		
DRAWN:	W.D.	OCEAN ENGINEERING		
TRACED:	S.M.	BUOY SINKER		
CHECKED:				
REVIEWED BY:				
	S.D. WALKER			
	CH B & S SEC.			
	S.F. Trenchard			
	CH SIG BR			
REVIEWED BY:	APPROVED:	W.A. Monson	DATE	4/5/85
		CHIEF OF DIVISION		
UNLESS OTHERWISE SPECIFIED: ALL DIMENSIONS ARE IN INCHES. TOLERANCES: DIM. SEE TOL NOTE ANG. SEE TOL NOTE		DRAWING NUMBER	REV.	
		121068	B	
SCALE: NONE		SHEET 1	OF	1