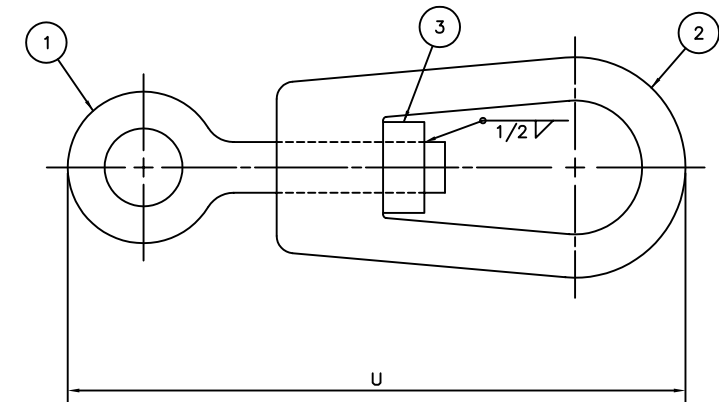
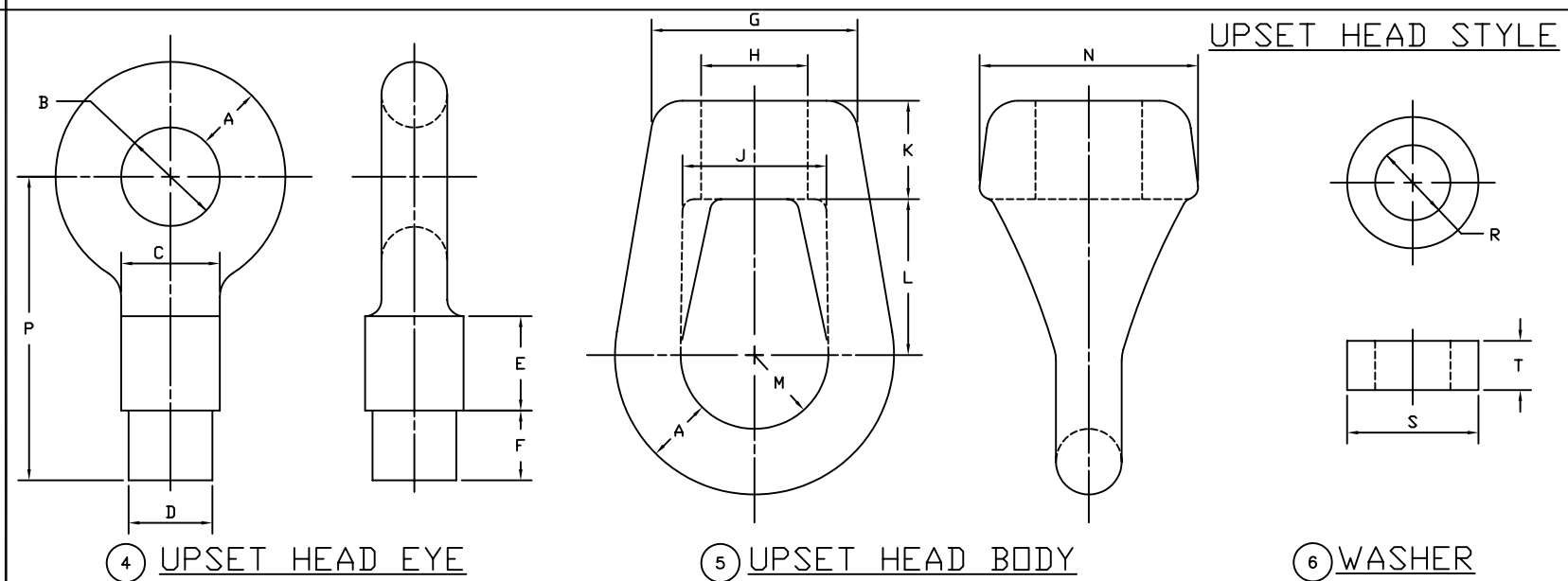


	A	B	C	D	E	F	G	H	J	K	L	M	N	P	R	S
1st CLASS	2	3	3	2-1/8	9-1/4	5	6	3-1/4	4-3/8	3	4-3/4	2-1/4	6-3/4	1-1/2	4	3-1/2
2nd CLASS	1-3/4	2-3/4	2-1/2	2-1/8	8-5/8	4-3/4	5	2-3/4	3-5/8	2-3/4	4-3/8	1-7/8	5-3/4	1-1/2	3-1/4	4
3rd CLASS	1-1/2	2-1/2	2-1/4	1-7/8	7-3/4	4-1/4	4-1/2	2-1/2	3-1/4	2-1/2	3-7/8	1-5/8	5	1-1/4	3	4-1/2
4th CLASS	1-1/4	2-1/4	2	1-7/8	6-5/8	3-3/4	4	2-1/4	3	2	3	1-1/2	4-1/2	1-1/4	2-3/4	4-1/2
TOLERANCES	±1/32	±1/16	±1/16	±1/16	±1/16	±1/16	±1/16	±1/16	±1/16	±1/16	±1/16	±1/16	±1/16	±1/16	±1/16	-

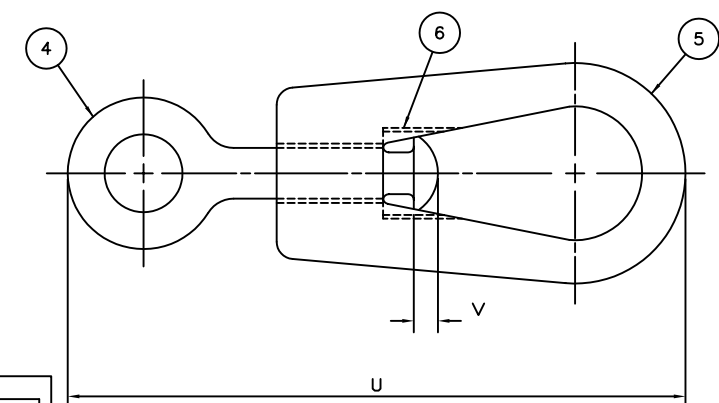


THREADED NUT ASSEMBLY

	U	V	PROOF LOAD	BREAKING LOAD	WEIGHT (APPROX.)
1st CLASS	19-3/4	2	82,000	164,000	78
2nd CLASS	17-3/4	1-3/4	60,000	120,000	52
3rd CLASS	15-3/4	1-1/2	45,000	90,000	39
4th CLASS	13	1-1/4	30,000	60,000	19
TOLERANCES	±1/8	±1/16	-	-	-



	A	B	C	D	E	F	G	H	J	K	L	M	N	P	R	S	T
1st CLASS	2	3	3	2-3/4	3	3-1/4	6	3-1/4	4-3/8	3	5	2	6-3/4	10-1/2	2-29/32	4	1
2nd CLASS	1-3/4	2-3/4	2-1/2	2-1/4	2-3/4	3	5	2-3/4	3-5/8	2-3/4	4-1/2	1-3/4	5-3/4	9-5/8	2-13/32	3-1/4	1
3rd CLASS	1-1/2	2-1/2	2-1/4	2	2-1/2	2-5/8	4-1/2	2-1/2	3-1/4	2-1/2	4	1-1/2	5	8-5/8	2-5/32	3	7/8
4th CLASS	1-1/4	2-1/4	2	1-3/4	2	2-3/8	4	2-1/4	3	2	3-1/4	1-1/4	4-1/2	7-1/4	1-29/32	2-3/4	7/8
TOLERANCES	±1/32	±1/16	±1/16	±1/16	±1/16	±1/16	±1/16	±1/16	±1/16	±1/16	±1/16	±1/16	±1/16	±1/16	±1/16	±1/16	±1/16



UPSET HEAD ASSEMBLY

ITEM NO.	NO. REQ.	DESCRIPTION	MATL.	REMARKS
1	1	THREADED NUT EYE	STEEL	
2	1	THREADED NUT BODY	STEEL	
3	1	THREADED NUT	STEEL	
4	1	UPSET HEAD EYE	STEEL	
5	1	UPSET HEAD BODY	STEEL	
6	1	WASHER	STEEL	

NOTES:

- THIS DRAWING SUPERCEDES U.S.C.G. DRAWING No. 120989.
- USE U.S.C.G. CIVIL ENGINEERING SPECIFICATION No. 417 FOR FABRICATION REQUIREMENTS.

REV.	DATE	APPR.	DESCRIPTION	BY
C	3-13-91	SW	REDRAWN USING AUTOCAD	DAG
B	2-23-88	AW	ADDED NOTES 1 & 2. INCREASED PROOF AND BREAKING LOAD VALUES	W.D.
A	8-1-86	AW	DELETED REFERENCES TO OCEAN ENGINEERING DIVISION.	W.D.
DESIGNED:			U.S. COAST GUARD HEADQUARTERS	
DRAWN:			CIVIL ENGINEERING	
TRACED:			SWIVELS (UPSET HEAD AND THREADED NUT STYLES)	
CHECKED:			APPROVED: R. A. Ross	
REVIEWED BY:			DATE: 3-17-86	
REVIEWED BY:			CHIEF OF DIVISION	
REVIEWED BY:			DRAWING NUMBER: 121081	
REVIEWED BY:			SCALE: NONE	
REVIEWED BY:			SHEET 1 OF 1	