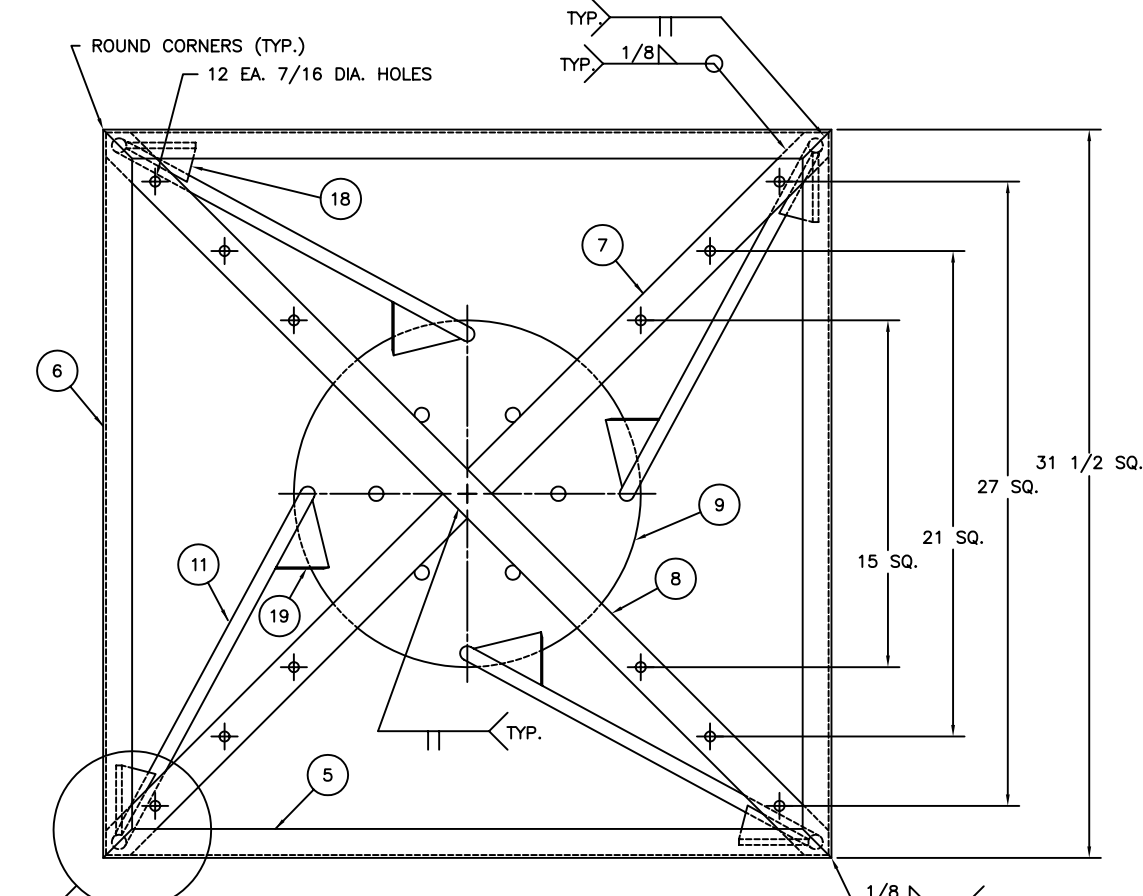
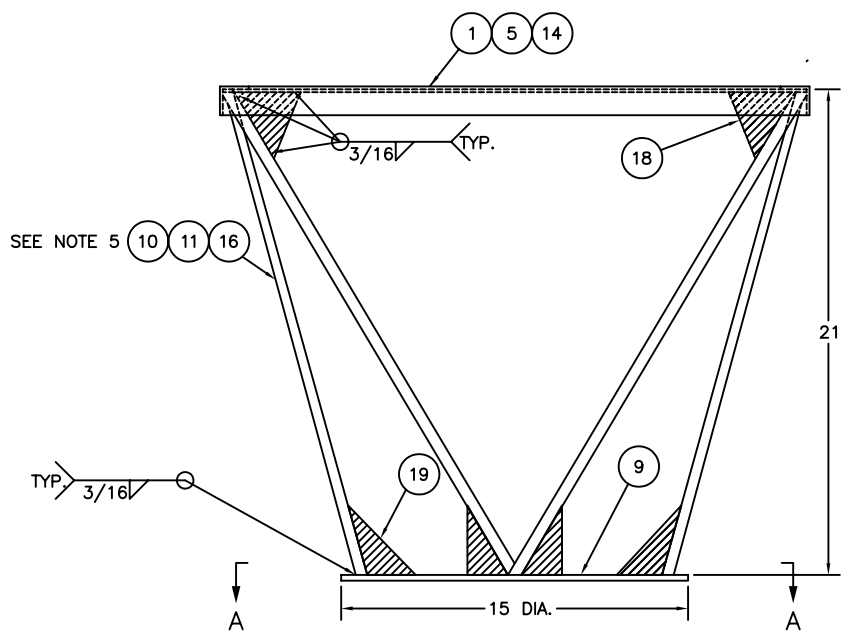


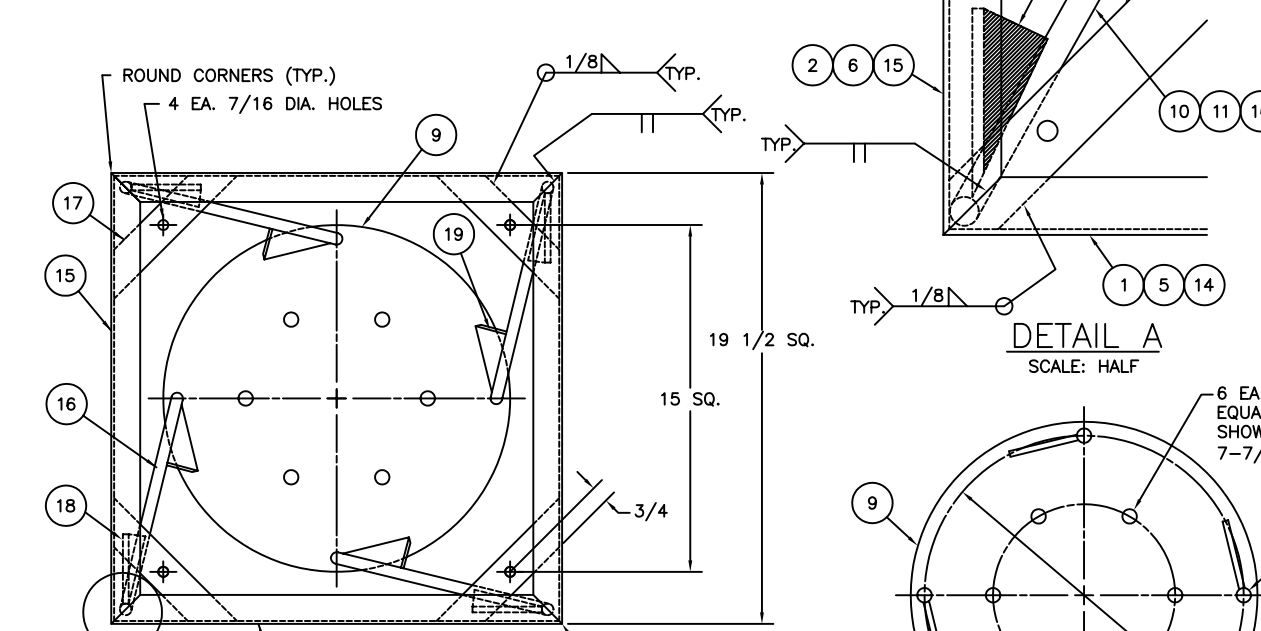
TOP VIEW -01  
SCALE: 3"=1'-0"



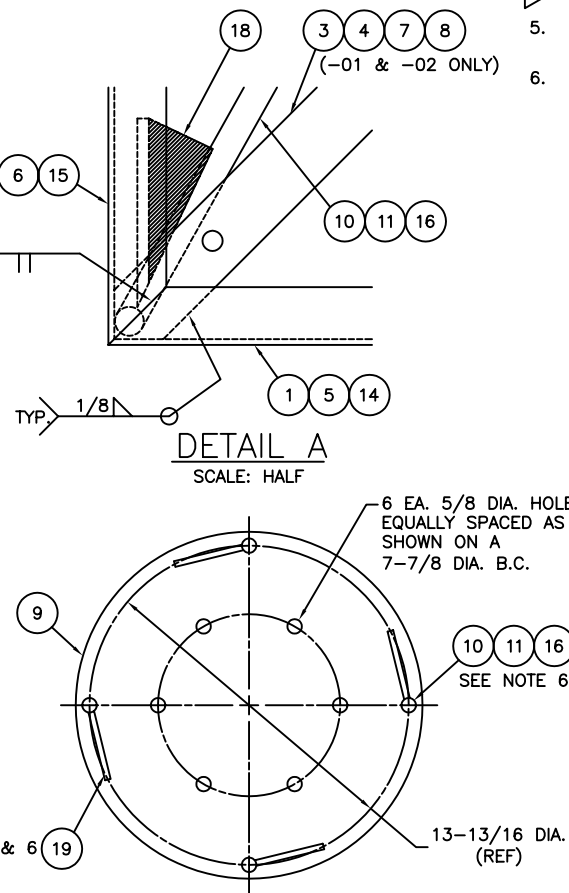
TOP VIEW -02  
SCALE: 3"=1'-0"



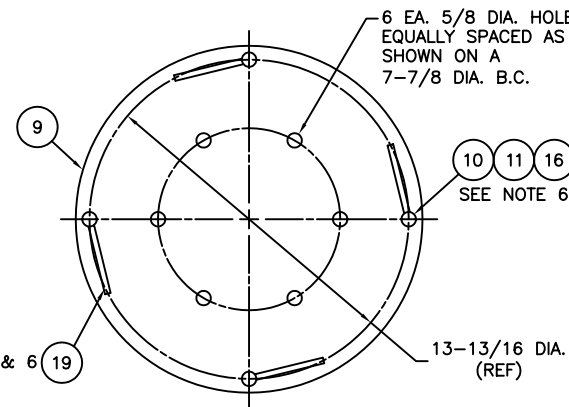
FRONT VIEW  
-01, -02, -03  
SCALE: 3"=1'-0"



TOP VIEW -03  
SCALE: 3"=1'-0"



DETAIL A  
SCALE: HALF



SECTION A-A  
SCALE: 3"=1'-0"

				BILL OF MATERIALS		
ITEM NO.	-01 NO. REQ.	-02 NO. REQ.	-03 NO. REQ.	DESCRIPTION	MATL.	REMARKS
1	2	-	-	END ANGLE	ALUM.	1-1/4x1-1/4x1/8 L
2	2	-	-	SIDE ANGLE	ALUM.	1-1/4x1-1/4x1/8 L
3	2	-	-	BRACE SUPPORT	ALUM.	1-1/2x1/8 BAR
4	1	-	-	CROSS BRACE	ALUM.	1-1/2x1/8 BAR
5	-	2	-	END ANGLE	ALUM.	1-1/4x1-1/4x1/8 L
6	-	2	-	SIDE ANGLE	ALUM.	1-1/4x1-1/4x1/8 L
7	-	2	-	BRACE SUPPORT	ALUM.	1-1/2x1/8 BAR
8	-	1	-	CROSS BRACE	ALUM.	1-1/2x1/8 BAR
9	1	1	1	LANTERN PLATE	ALUM.	15 DIA. x 1/4 THK.
10	4	-	-	SUPPORT ROD	ALUM.	1/2 DIA. ROD
11	-	4	-	SUPPORT ROD	ALUM.	5/8 DIA. ROD
12						
13						
14	-	-	2	END ANGLE	ALUM.	1-1/4x1-1/4x1/8 L
15	-	-	2	SIDE ANGLE	ALUM.	1-1/4x1-1/4x1/8 L
16	-	-	4	SUPPORT ROD	ALUM.	1/2 DIA. ROD
17	-	-	4	CORNER BRACE	ALUM.	1-1/2x1/8 BAR
18	4	4	4	UPPER GUSSETS	ALUM.	3x3x1/4 THK.
19	4	4	4	LOWER GUSSETS	ALUM.	3x3x1/4 THK.

NOTES:

- SEE LATEST REVISION OF U. S. COAST GUARD CIVIL ENGINEERING SPECIFICATION NO. 461 FOR FABRICATION REQUIREMENTS.
- FOR 10W PANELS.
- FOR 10W OR 20W PANELS.
- FOR 10W, 20W, OR 35W PANELS.
- CUT ITEMS 10, 11, 16, 18, & 19 TO FIT MINIMUM HEIGHT CONSTRAINT OF FRONT VIEW.
- ALIGN (AS CLOSE AS POSSIBLE) ITEM 19 ALONG THE 13-13/16 DIA. CIRCLE.

REV.	DATE	APPR.	DESCRIPTION	BY
G	4-14-99	SW	REVERSED DIRECTION OF ITEMS 1, 5, AND 14.	S.M.
F	4-23-98	SW	DEL NOTES 5-8. MODIFIED ITEM 9. ADDED NOTE 6. REORGANIZED THE DRAWING.	S.M.
E	3-6-94	SW	DELETED ITEMS 12 & 13. MODIFIED NOTES.	S.M.
D	3-26-91	SW	MODIFIED ITEM 9.	S.M.
C	2-12-91	SW	REDRAWN USING AUTOCAD.	DAG
B	8-29-88	SW	ADDED ITEM 17. MOD. TOP VIEWS, FRONT VIEW, & DETAIL A.	W.D.
A	2-19-87	SW	ADDED OPTION -03	W.D.

DESIGNED BY: R.B.	U.S. COAST GUARD	HEADQUARTERS
DRAWN BY: W.D.	CIVIL ENGINEERING	
TRACED BY: S.M.	UNIVERSAL	
CHECKED BY:	SOLAR PANEL	
REVIEWED BY:	FRAME	
Sean McEvoy PROJECT ENGINEER	APPROVED: D. H. DeBok	DATE: 1/30/87
Stan Walker G-ECV-3B	CHIEF OF OCEAN ENGINEERING BRANCH	
UNLESS OTHERWISE SPECIFIED: ALL DIMENSIONS ARE IN INCHES. TOLERANCES: DIM. ±1/8 ANG. ±1°		DRAWING NUMBER: 121103
SCALE: AS NOTED		SHEET 1 OF 1