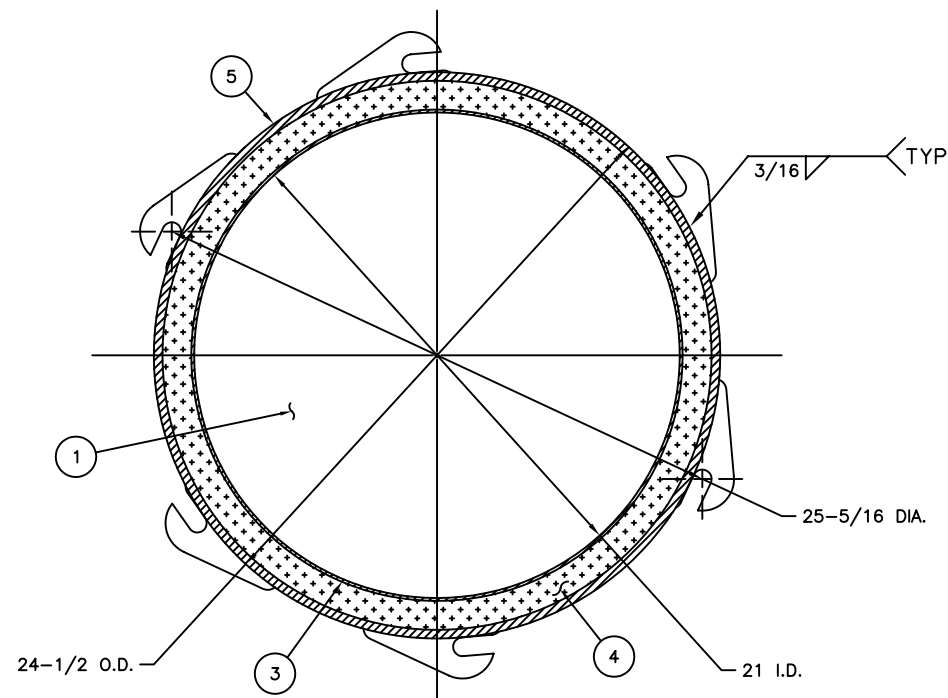
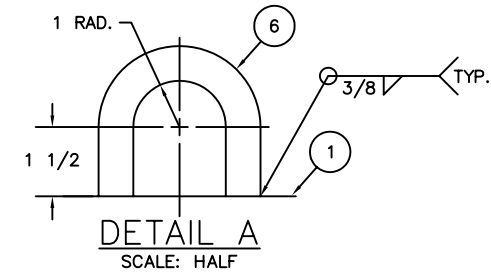


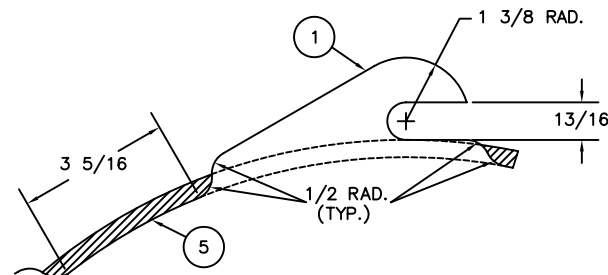
TOP VIEW
SCALE: 3"=1'-0"



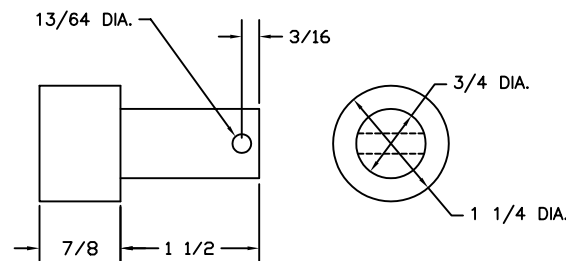
BOTTOM VIEW
SCALE: 3"=1'-0"



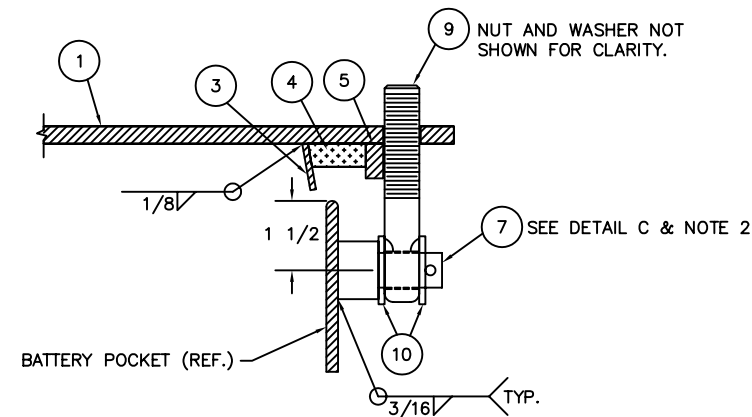
DETAIL A
SCALE: HALF



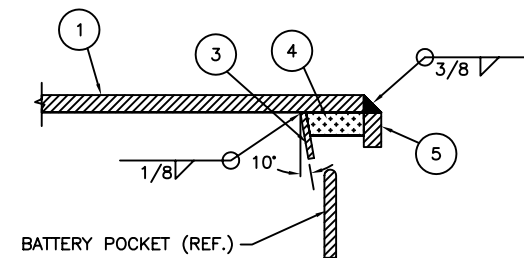
DETAIL B
SCALE: HALF



DETAIL C
SCALE: FULL



SECTION D-D
SCALE: HALF



SECTION E-E
SCALE: HALF

BILL OF MATERIALS				
ITEM NO.	NO. REQ.	DESCRIPTION	MATL.	REMARKS
1	1	POCKET COVER PLATE	STEEL	28-1/2 RAW O.D. x 3/8 THK.
2				
3	1	COVER STIFFNER	STEEL	1 WIDE x 1/8 THK.
4	1	COVER GASKET	RUBBER	1/2x1-1/4 MIL R-900 40-50 DUROMETER
5	1	COVER LIP	STEEL	3/4 WIDE x 3/8 THK.
6	1	LIFT EYE	STEEL	3/4 DIA. ROD
7	6	SWING BOLT MOUNT	STAIN. STEEL	SEE DETAIL C
8	6	COTTER PIN	STAIN. STEEL	3/16 DIA. x 1-1/2 LG.
9	6	SWING BOLT ASSEMBLY	STAIN. STEEL	3/4 DIA. x 4 LG. SEE NOTE 1
10	12	WASHERS	STAIN. STEEL	3/4 NOM.

NOTES:

- ITEM NUMBER 9: NSN 5340-01-034-5222 (SWINGBOLT, NUT, & WASHER)
- INSTALL ITEMS 7, 8, & 9 ONTO BATTERY POCKET FLANGE EQ. SPACED TO CORRESPOND WITH THE 5° OFFSET SHOWN IN THE TOP VIEW.

3> SAME AS W/T DOOR GASKET NSN 5330-00-542-1984.

REV.	DATE	APPR.	DESCRIPTION	BY
G	12-3-02	WD	MODIFIED DIMENSIONS FOR 7.	S.M.
F	10-1-97	SW	DELETED TYPE I COVER AND SHEET 2. REORGANIZED DRAWING.	S.M.
E	9-3-91	SW	MODIFIED DETAIL B.	S.M.
D	9-8-90	SW	ADDED COVER TYPE II, SECTION F-F, G-G, DETAIL C, AND SHEET 2. REDRAWN USING AUTOCAD.	S.M.
C	2-2-89	SW	CHANGED LOCATION AND SIZE OF ITEM 7. ADDED NOTE 6.	W.D.
B	11-24-87	SW	MODIFIED ITEMS 2, 3, 4, 7, & 8.	W.D.
A	5-19-87	SW	CHANGED NSN OF ITEM 9. CHANGED DIMS OF ITEMS 1 & 3.	W.D.

DESIGNED: R.B.	U.S. COAST GUARD	HEADQUARTERS
DRAWN: W.D.	CIVIL ENGINEERING	
TRACED: S.M.	22" BATTERY POCKET COVER	
CHECKED:		
REVIEWED BY: S. McEvoy		
PROJECT ENGINEER		
REVIEWED BY: S. D. Walker		
G-ECV-3B	APPROVED: D. H. DeBOK	DATE: 2/18/87
REVIEWED BY:	CHIEF, OCEAN ENGINEERING BRANCH	
UNLESS OTHERWISE SPECIFIED: ALL DIMENSIONS ARE IN INCHES. TOLERANCES: DIM. ±1/8 ANG. ±30°		
DRAWING NUMBER: 121104		REV. G
SCALE: AS NOTED	SHEET 1 OF 1	