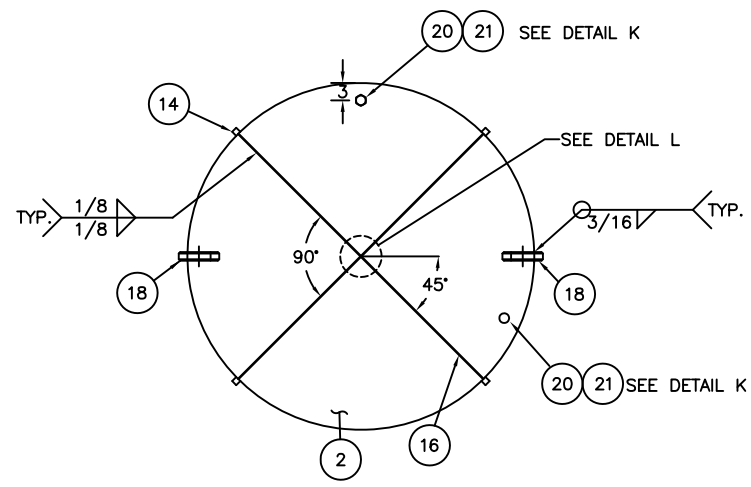
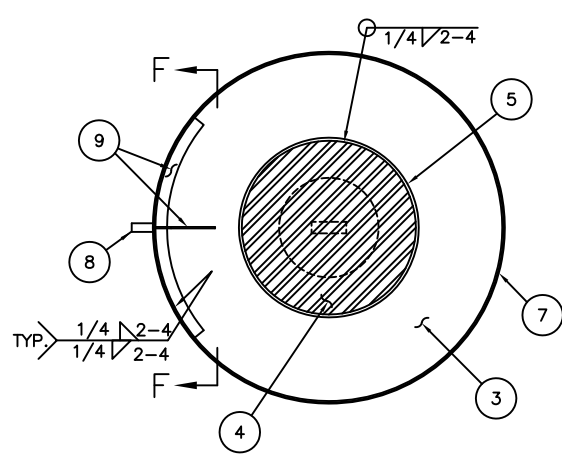


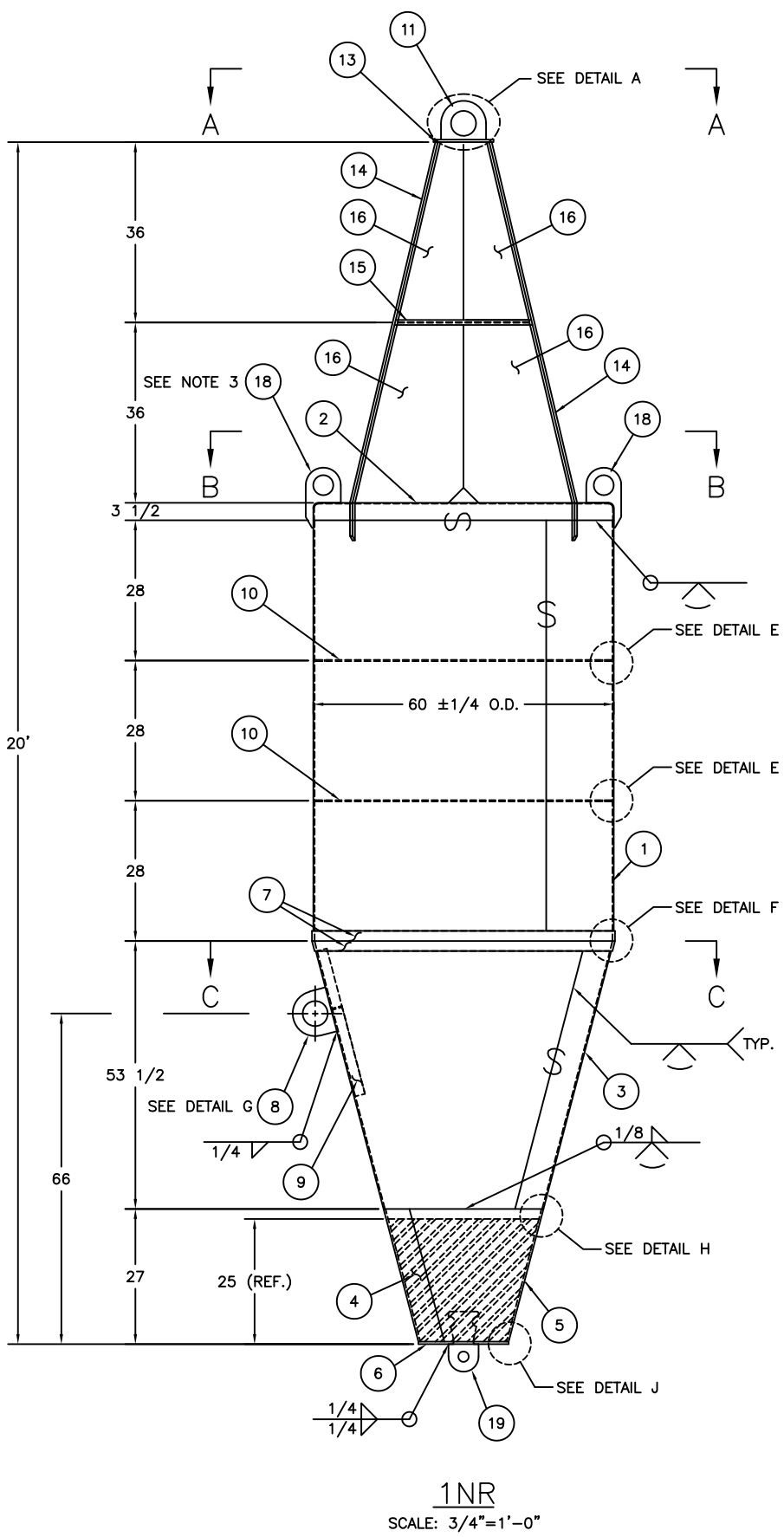
SECTION A-A
SCALE: 3/4"=1'-0"



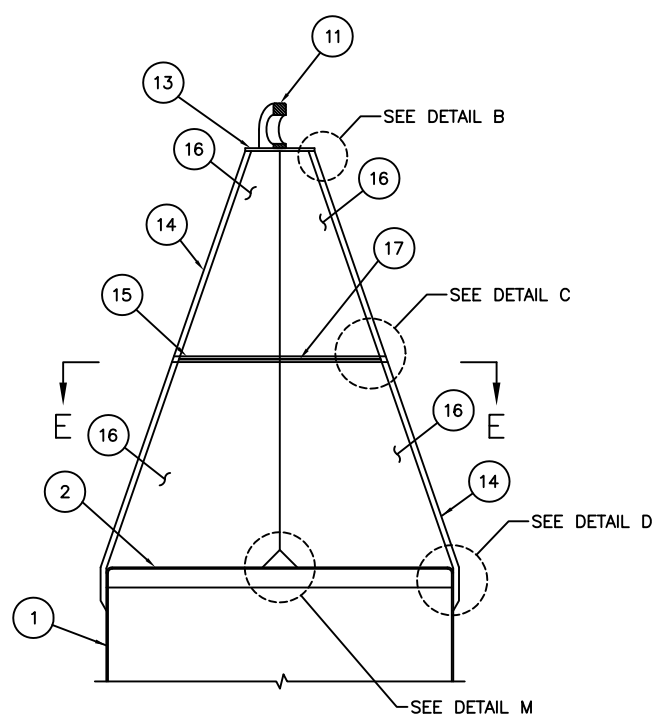
SECTION B-B
SCALE: 3/4"=1'-0"



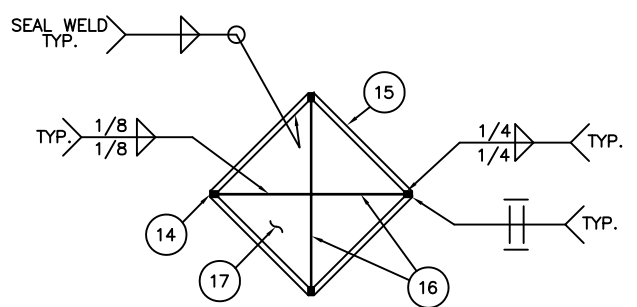
SECTION C-C
SCALE: 3/4"=1'-0"



1NR
SCALE: 3/4"=1'-0"



SECTION D-D
SCALE: 3/4"=1'-0"



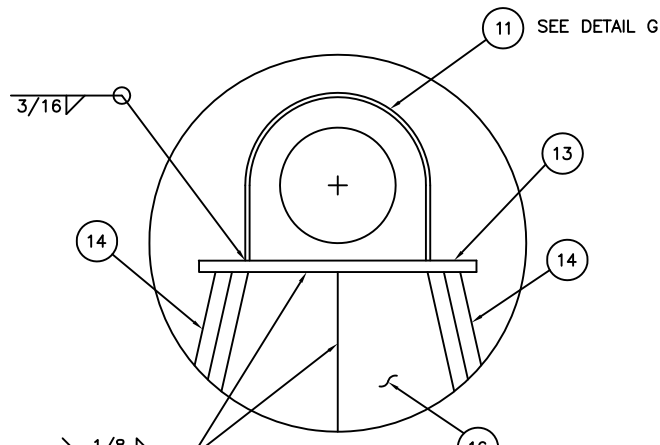
SECTION E-E
SCALE: 3/4"=1'-0"

BILL OF MATERIALS				
ITEM NO.	NO. REQ.	DESCRIPTION	MATL.	REMARKS
1	1	BODY WRAPPER	STEEL	1/4 THK.
2	1	FLANGED HEAD	STEEL	60 O.D. x 3/16 THK.
3	1	CONICAL WRAPPER	STEEL	1/4 THK.
4	1	COUNTERWEIGHT	CAST IRON	SEE NOTE 2
5	1	COUNTERWEIGHT WRAPPER	STEEL	3/8 THK.
6	1	COUNTERWEIGHT PLATE	STEEL	18 DIA. x 1/2 THK.
7	2	DOUBLER STRIP	STEEL	1/4 THK. x 2 WD.
8	1	SIDE LIFT EYE	STEEL	1 1/2 THK.
9	3	SIDE LIFT EYE STIFFENER	STEEL	1/4 THK. x 2 WD.
10	2	WRAPPER STIFFENER	STEEL	1/4 THK. x 2 WD.
11	1	TOP LIFT EYE	STEEL	1 1/2 THK.
12				
13	1	TOP LIFT EYE PLATE	STEEL	12 DIA. x 1/2 THK.
14	4	VERTICAL REFLECTOR BAR	STEEL	1 SQ.
15	4	HORIZONTAL REFLECTOR BAR	STEEL	1 SQ.
16	2	VERTICAL RADAR REFLECTOR	STEEL	1/8 THK.
17	4	HORIZONTAL RADAR REFLECTOR	STEEL	1/8 THK.
18	2	TOP HEAD LIFT EYE	STEEL	SEE DRAWING 121140
19	1	MOORING EYE	STEEL	SEE DRAWING 121153
20	2	HALF COUPLING	STAIN STEEL	3/4 NPT
21	2	PIPE PLUG	STAIN STEEL	3/4 NPT

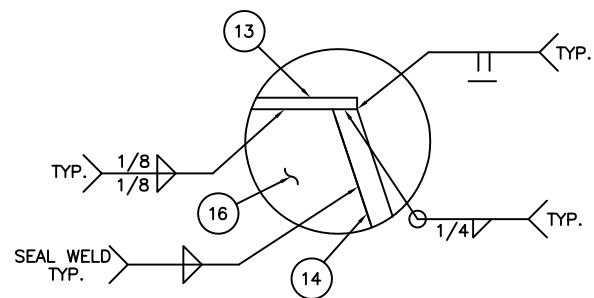
NOTES:

- SEE LATEST REVISION OF U.S.C.G. CIVIL ENGINEERING SPECIFICATION No. 464 FOR FABRICATION REQUIREMENTS.
- THE TOTAL WEIGHT OF ITEMS 4, 5, 6, & 19 SHALL BE 3,215 LBS. (+5% OR -1%).
- THE TOP HEAD LIFT EYE (ITEM 18) DIRECTLY ABOVE THE SIDE LIFT EYE (ITEM 8), SHALL HAVE THE WORD "LIFT" WELDED ON IT.

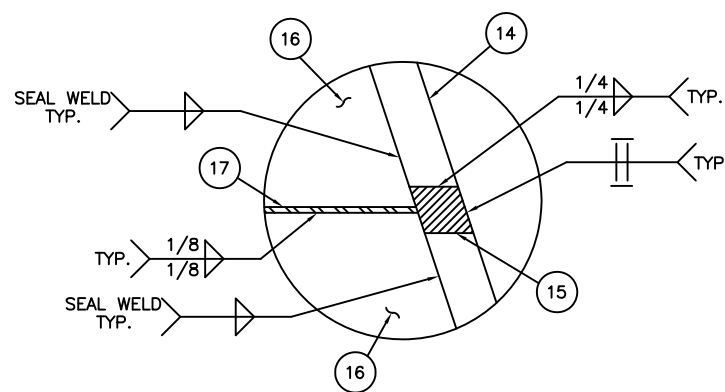
F	10-20-16	W.D.	ADDED WATER DRAINAGE CUT OUT TO ITEM 16. ADDED DETAIL M.	S.M.
E	6-4-99	S.W.	ADDED ADDITIONAL AIR TEST FITTING (ITEMS 20 & 21).	S.M.
D	2-7-97	S.W.	REORGANIZED DWG. DEL ITEM 12, MOD ITEMS 15, 16, 17, & WELDS TO RADAR REF. ASSEMBLY. RELOCATED ITEMS 8 & 9.	S.M.
C	11-1-94	S.W.	ADDED DETAIL 11. MODIFIED WELDS IN DETAILS 2, 3, & 4. ADDED INNER CHAMFER TO ITEMS 8 & 11.	S.M.
B	12-11-92	W.D.	MODIFIED NOTE 2 & ITEMS 4, 11, 20 & 21. ADDED NOTE 5 & ADDITIONAL ITEM 18. RELOCATED ITEMS 8 & 9.	S.M.
A	2-22-91	S.W.	REDRAWN USING AUTOCAD. MODIFIED NOTE 2 AND BILL OF MATERIALS. DELETED NOTE 5 AND DETAIL 11.	S.M.
REV.	DATE	APPR.	DESCRIPTION	BY
DESIGNED:	R.B.	U.S. COAST GUARD	HEADQUARTERS	
DRAWN:	W.D.	CIVIL ENGINEERING		
TRACED:	S.M.			
CHECKED:	S.W.			
REVIEWED BY:	R. Boy			
PROJECT ENGINEER				
REVIEWED BY:	S.D. Walker			
	G-ECV-3B			
REVIEWED BY:		APPROVED:	James D. Garrison	DATE: 9 Feb 88
			CHIEF, OCEAN ENGINEERING BRANCH	
UNLESS OTHERWISE SPECIFIED: ALL DIMENSIONS ARE IN INCHES. TOLERANCES: DIM. ±1/8 ANG. ±1°			DRAWING NUMBER 121108	REV. F
PLOTING SCALE: 3/4"=1'-0"			SCALE: AS NOTED	SHEET 1 OF 2



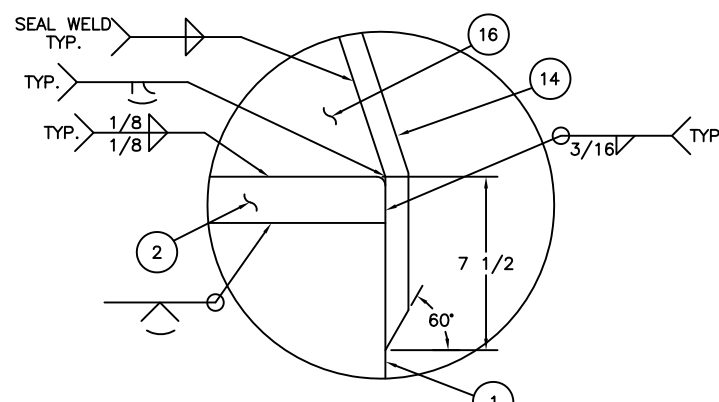
DETAIL A
SCALE: 3"=1'-0"



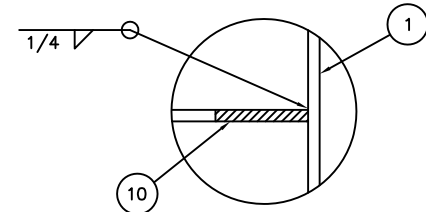
DETAIL B
SCALE: 3"=1'-0"



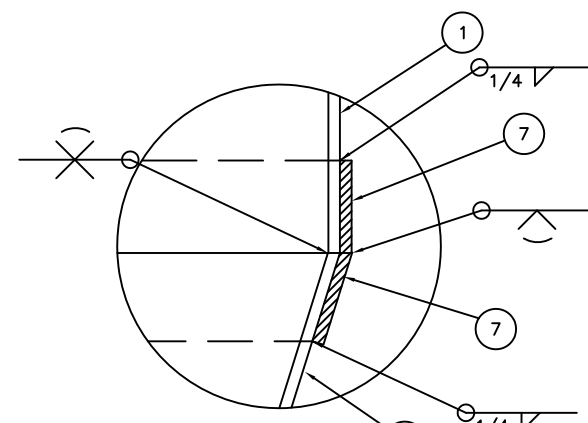
DETAIL C
SCALE: HALF



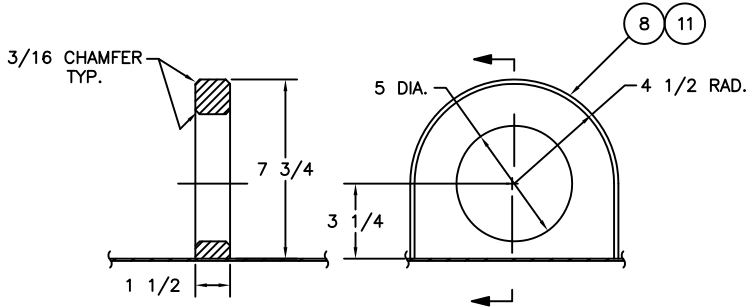
DETAIL D
SCALE: 3"=1'-0"



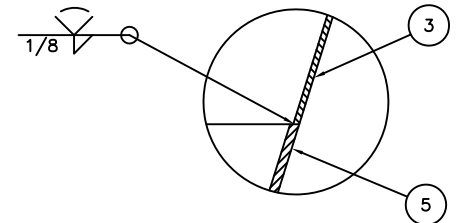
DETAIL E
SCALE: HALF



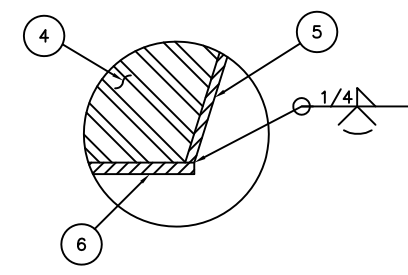
DETAIL F
SCALE: HALF



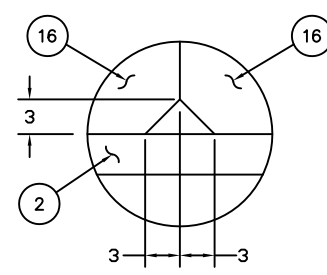
DETAIL G
SCALE: 3"=1'-0"



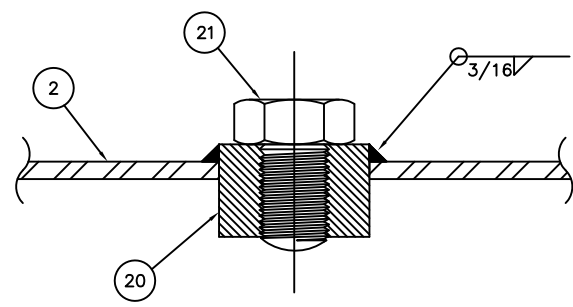
DETAIL H
SCALE: 3"=1'-0"



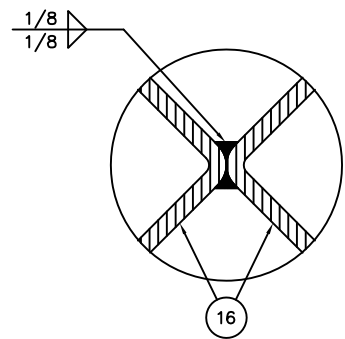
DETAIL J
SCALE: 3"=1'-0"



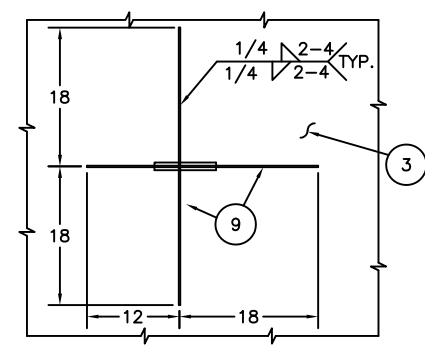
DETAIL M
SCALE: NONE



DETAIL K
SCALE: FULL



DETAIL L
SCALE: FULL



SECTION F-F
SCALE: 1"=1'-0"

REV.	DATE	APPR.	DESCRIPTION	BY
F	10-20-16	W.D.	ADDED WATER DRAINAGE CUT OUT TO ITEM 16. ADDED DETAIL M.	S.M.
E	6-4-99	S.W.	ADDED ADDITIONAL AIR TEST FITTING (ITEMS 20 & 21).	S.M.
D	2-7-97	S.W.	REORGANIZED DWG. DEL ITEM 12, MOD ITEMS 15, 16, 17 & WELDS TO RADAR REF. ASSEMBLY. RELOCATED ITEMS 8 & 9.	S.M.
C	11-1-94	S.W.	ADDED DETAIL 11. MODIFIED WELDS IN DETAILS 2, 3, & 4. ADDED INNER CHAMFER TO ITEMS 8 & 11.	S.M.
B	12-11-92	S.W.	MODIFIED NOTE 2 & ITEMS 4, 11, 20, & 21. ADDED NOTE 5 & ADDITIONAL ITEM 18. RELOCATED ITEMS 8 & 9.	S.M.
A	2-22-91	S.W.	REDRAWN USING AUTOCAD. MODIFIED NOTE 2 AND BILL OF MATERIALS. DELETED NOTE 5 AND DETAIL 11.	S.M.

DESIGNED: R.B.	U.S. COAST GUARD	HEADQUARTERS
DRAWN: W.D.	CIVIL ENGINEERING	
TRACED: S.M.	1988 TYPE	
CHECKED: S.W.	FIRST CLASS NUN BUOY	
REVIEWED BY:	(1NR)	
R. Boy	APPROVED:	DATE
PROJECT ENGINEER	James D. Garrison	9 Feb 88
REVIEWED BY:	CHIEF, OCEAN ENGINEERING BRANCH	
S.D. Walker	DRAWING NUMBER	
G-ECV-3B	121108	REV. F
REVIEWED BY:	SCALE: AS NOTED	SHEET 2 OF 2