

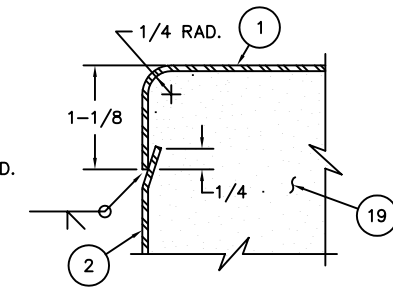
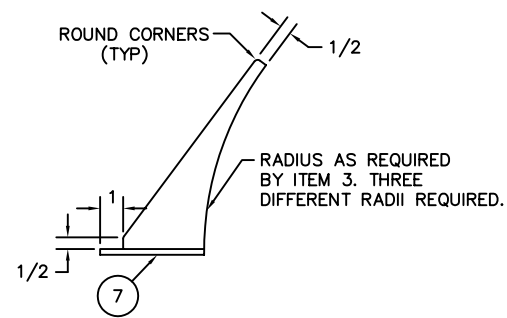
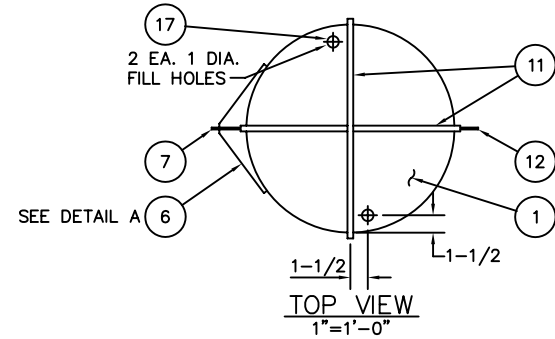
**BILL OF MATERIALS**

ITEM NO.	NO. REQ.	DESCRIPTION	MATL.	REMARKS
1	1	TOP HEAD	STEEL SHEET	MIN. THICKNESS=.0827 MAX. THICKNESS=.0967
2		BODY WRAPPER		
3		BOTTOM CONICAL WRAPPER		
4		BOTTOM HEAD		
5	2	RADAR REFLECTOR		
6	6	RUDDER GUSSET		MIN. THICKNESS=.1116 MAX. THICKNESS=.1276
7	1	UPPER RUDDER		
8		LOWER RUDDER	STEEL	1/4 THK.
9	2	RUDDER ANGLE	STEEL	L 3 x 3 x 1/4 x 8 LG.
11	2	RADAR REFLECTOR BAR	STEEL	3/4 SQ.
12	1	MOORING BAR		4 WD. x 3/8 THK.
13	8	COUNTERWEIGHT PLATE		10 WD. x 23 LG. x 3/8 THK.
14	2	HEX BOLT		3/4-10 UNC - 2A x 4 LG.
15		HEX NUT		3/4-10 UNC - 2B
16		LOCK WASHER		SIZE TO SUIT ITEM 14
17		FILL HOLE CAP	PLASTIC OR RUBBER	SIZE TO SUIT FILL HOLES
18	4	RETROREFLECTIVE MATERIAL		GREEN, 6 WD. x 12 LG.
19	1	FOAM FILLING	POLY- URETHANE	2.0 ±0.5 PCF

△

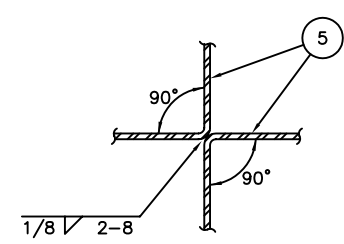
**NOTES:**

- SEE LATEST REVISION OF CIVIL ENGINEERING SPECIFICATION NO. 455 FOR FABRICATION REQUIREMENTS.
- THIS DRAWING SUPERCEDES U.S. COAST GUARD SECOND DISTRICT DRAWING NO. 3449.
- DESIGN AND CONSTRUCTION OF THE 4CR AND 4CRWO BUOYS IS IDENTICAL. THE ONLY DIFFERENCES ARE IN THE PAINTING REQUIREMENTS, AS DESCRIBED IN SPEC. NO. 455.
- INSTALL ITEMS 18 ON THE LEFT HAND SIDE OF ITEMS 5 AS SHOWN.
- ITEM 18 IS NOT REQUIRED FOR 4CRWO BUOYS.

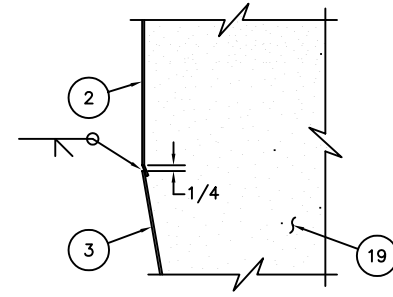


6 DETAIL A  
NO SCALE

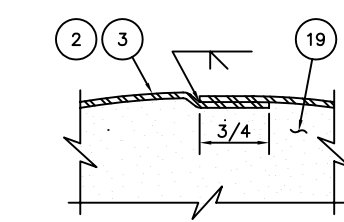
SECTION B-B  
NO SCALE



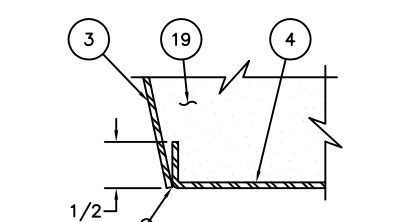
SECTION A-A  
NO SCALE



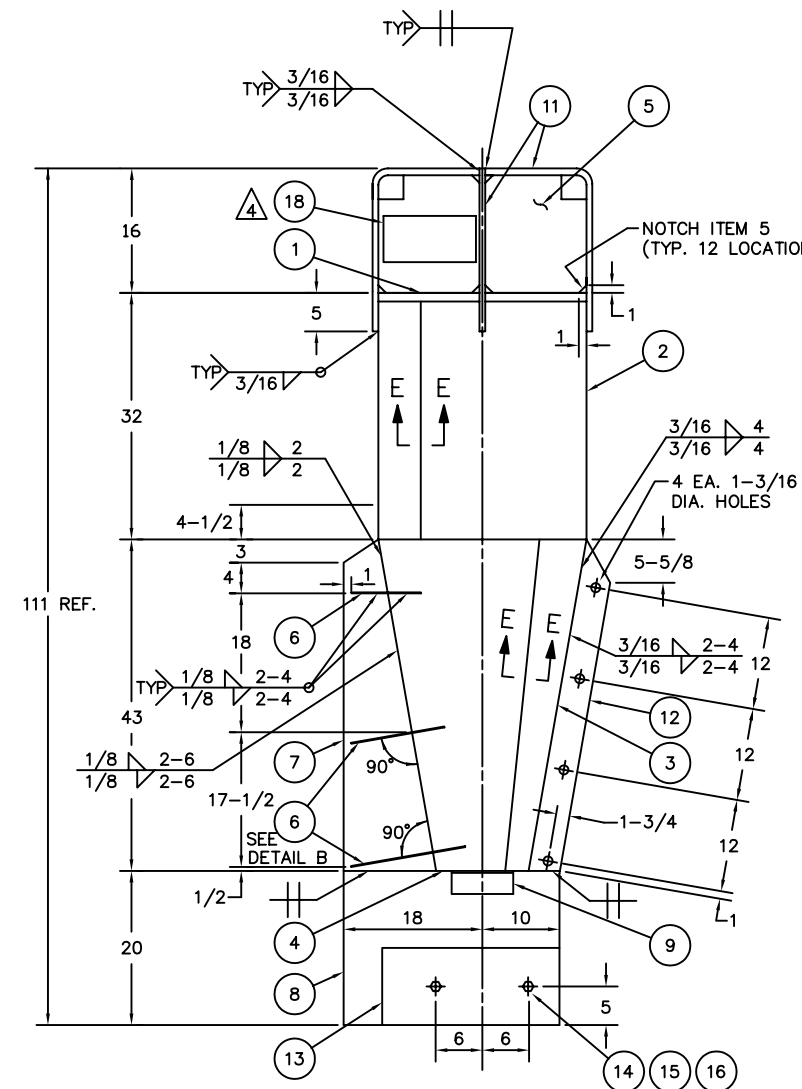
SECTION C-C  
NO SCALE



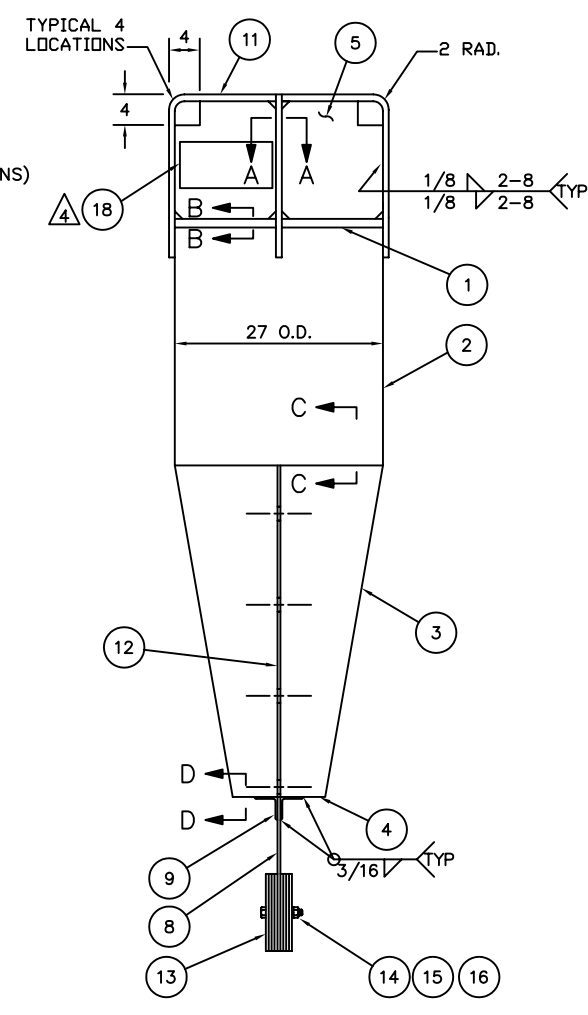
SECTION E-E  
NO SCALE



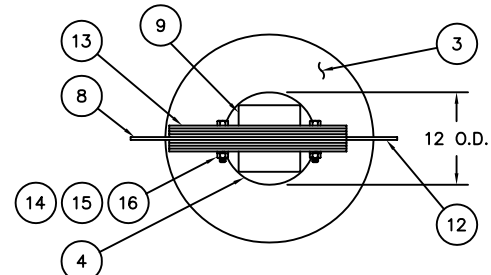
SECTION D-D  
NO SCALE



PLAN VIEW  
1"=1'-0"



SIDE VIEW  
1"=1'-0"



BOTTOM VIEW  
1"=1'-0"

REV.	DATE	APPR.	DESCRIPTION	BY
C	2/5/92	SW	DELETED ITEM 10. MODIFIED NO. REQ. FOR ITEM 13.	S.M.
B	1/21/91	SW	REDRAWN USING AUTOCAD	S.M.
A	2-20-90	SW	CHANGED HEIGHT OF ITEMS 1 AND 4. CHANGED LENGTH OF ITEM 9.	W.D.

DESIGNED:	U.S. COAST GUARD	HEADQUARTERS
DRAWN:	W.D.	
TRACED:	JKM	
CHECKED:	S.M.	
REVIEWED BY:		
PROJECT ENGINEER <i>W. Dangle</i> REVIEWED BY: S. D. Walker G-ECV-3B		
APPROVED:	<i>James D. Garrison</i>	DATE
CHIEF OF OCEAN ENGINEERING BRANCH		

UNLESS OTHERWISE SPECIFIED: ALL DIMENSIONS ARE IN INCHES. TOLERANCES: DIM. ±1/8 ANG. ±1°	DRAWING NUMBER 121117	REV. C
SCALE: NOTED	SHEET 1 OF 1	