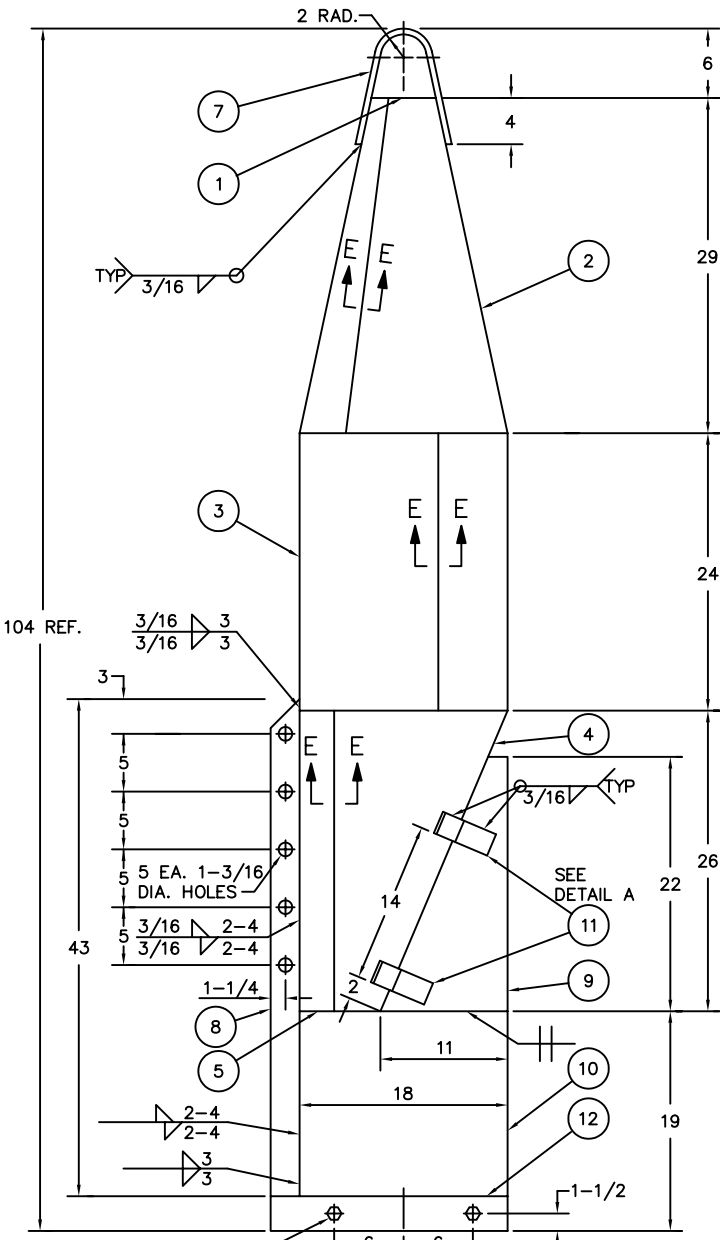
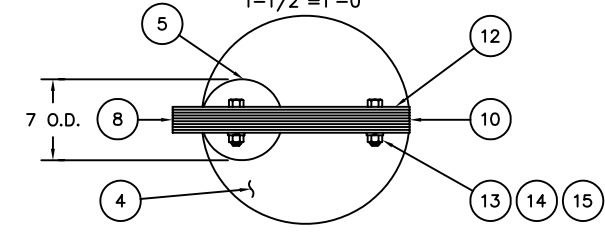


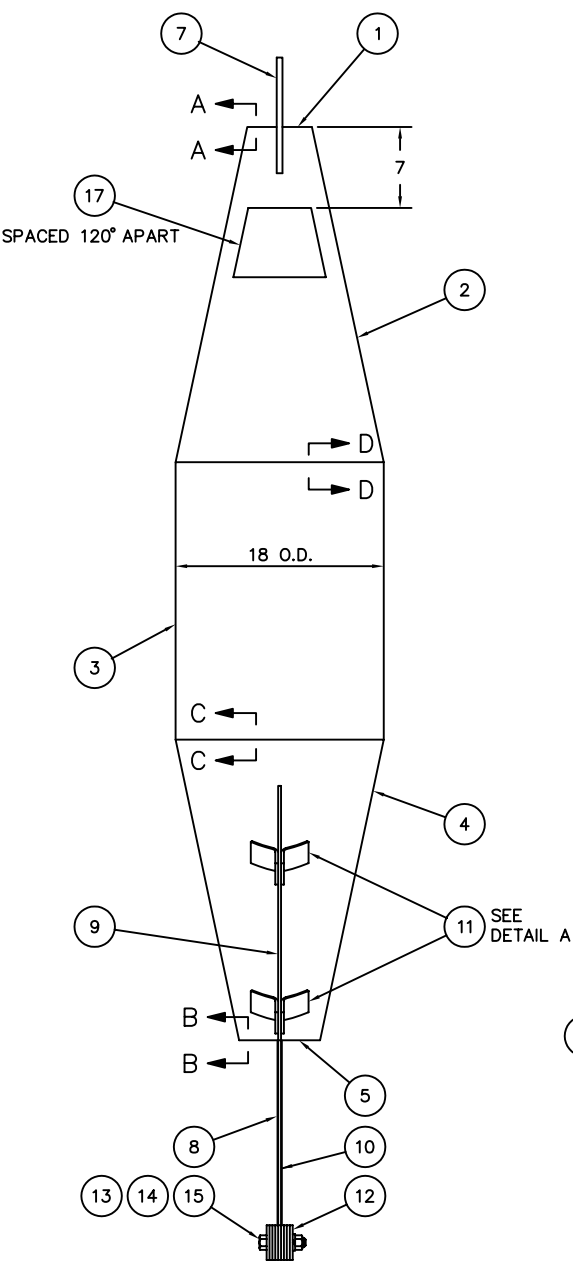
TOP VIEW  
1-1/2"=1'-0"



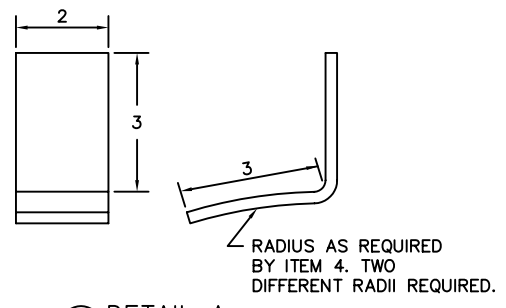
FRONT VIEW  
1-1/2"=1'-0"



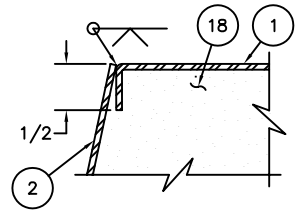
BOTTOM VIEW  
1-1/2"=1'-0"



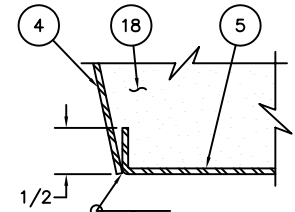
SIDE VIEW  
1-1/2"=1'-0"



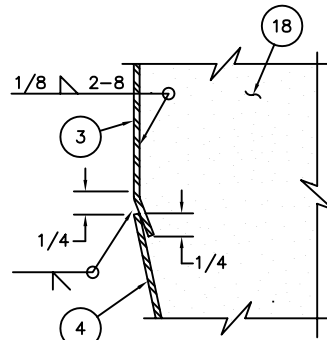
DETAIL A  
HALF SIZE



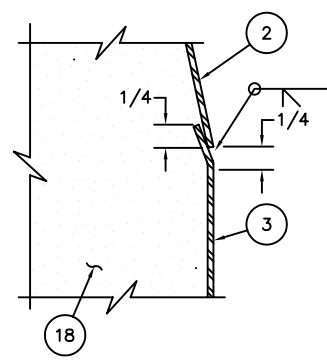
SECTION A-A  
NO SCALE



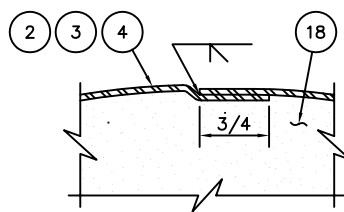
SECTION B-B  
NO SCALE



SECTION C-C  
NO SCALE



SECTION D-D  
NO SCALE



SECTION E-E  
NO SCALE

BILL OF MATERIALS			
ITEM NO.	NO. REQ.	DESCRIPTION	MATL. REMARKS
1	1	TOP HEAD	STEEL SHEET MIN. THICKNESS=.0438 MAX. THICKNESS=.0518
2		TOP CONICAL WRAPPER	
3		BODY WRAPPER	
4		BOTTOM CONICAL WRAPPER	
5		BOTTOM HEAD	
7	1	LIFTING BAIL	STEEL 1/2 SQ.
8		MOORING BAR	3/8 THK. x 2-1/2 WD
9		UPPER RUDDER	1/4 THK.
10		LOWER RUDDER	
11	4	RUDDER BRACE	
12	8	COUNTERWEIGHT PLATE	1/4 THK. x 3 WD. x 20-1/2 LG.
13	2	HEX BOLT	3/4-10 UNC - 2A x 4 LG.
14		HEX NUT	3/4-10 UNC - 2B
15		LOCK WASHER	SIZE TO SUIT ITEM 13
16		FILL HOLE CAP	PLASTIC OR RUBBER SIZE TO SUIT FILL HOLES
17	3	RETROREFLECTIVE MATERIAL	RED. 6 WD. x 8 LG.
18	1	FOAM FILLING	POLY- URETHANE 2.0 ±0.5 PCF

- NOTES:
- SEE LATEST REVISION OF CIVIL ENGINEERING SPECIFICATION NO. 455 FOR FABRICATION REQUIREMENTS.
  - THIS DRAWING SUPERCEDES U.S. COAST GUARD SECOND DISTRICT DRAWING NO. 3451.
  - DO NOT WELD ITEMS 9 AND 10 TO ITEM 4.

REV.	DATE	APPR.	DESCRIPTION	BY
D	3/13/95	SW	MODIFIED WELD DETAIL BETWEEN ITEMS 8 & 10	S.M.
C	2/5/92	SW	DELETED ITEM 6. MODIFIED ITEMS 8 & 12.	S.M.
B	1/22/91	SW	REDRAWN USING AUTOCAD	S.M.
A	2-20-90	SW	CHANGED WELD ORIENTATION ON ITEM 6. CHANGED HEIGHT OF ITEMS 1 AND 5.	W.D.

DESIGNED:	U.S. COAST GUARD	HEADQUARTERS
DRAWN:	W.D.	
TRACED:	JKM	
CHECKED:	SM	
REVIEWED BY:		
PROJECT ENGINEER		
RIVER BUOY, 6th CLASS NUN TALL TYPE (6NT)		
APPROVED:		
<i>James D. Garrison</i>		DATE
CHIEF OF OCEAN ENGINEERING BRANCH		
UNLESS OTHERWISE SPECIFIED: ALL DIMENSIONS ARE IN INCHES. TOLERANCES: DIM. ±1/8 ANG. ±1°		
DRAWING NUMBER		REV.
121120		D
SCALE: NOTED	SHEET 1 OF 1	