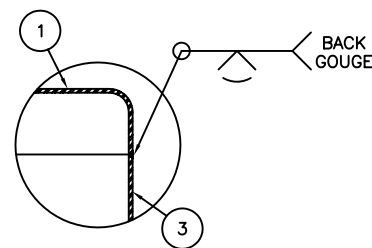
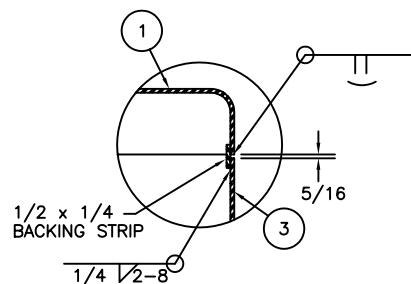


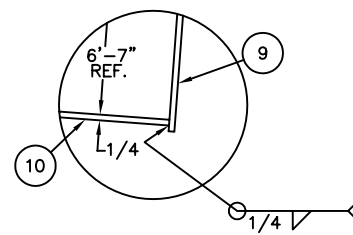
8x26 LR BUOY ASSEMBLY
SCALE: 1"=1'-0"



DETAIL A
SCALE: NONE



DETAIL A
SCALE: NONE
OPTIONAL



DETAIL B
SCALE: 3"=1'-0"

REV.	DATE	APPR.	DESCRIPTION	BY
F	6-4-99	S.W.	ADDED ADDITIONAL AIR TEST FITTING (ITEMS 25 & 26).	S.M.
E	8-15-96	S.W.	REORG DWG. DEL TOWER DETAILS. REF DWG 121174 FOR TWR. DEL 2 EA ITEMS 27, 28, & 29. SHORTEN ITEM 24.	S.M.
D	11-8-94	S.W.	DEL ITEM 59. MOD WELDS IN SECTIONS E-E & F-F. ADDED QTY FOR ITEM 45.	S.M.
C	1-29-93	W.D.	MODIFIED ITEM 31 & NOTES. SPECIFIED QTY REQUIRED FOR ITEMS 70-72. DEL ITEMS 41, 48, 49, 52, 55, AND 65-69.	S.M.
B	6-6-91	S.W.	MODIFIED REMARKS FOR ITEM 42.	S.M.
A	11-7-90	S.W.	MODIFIED ITEMS 48, 49, 50, BILL OF MATERIALS, AND NOTE 3. DELETED ITEM 51, SHEET 4, AND NOTE 4.	S.M.

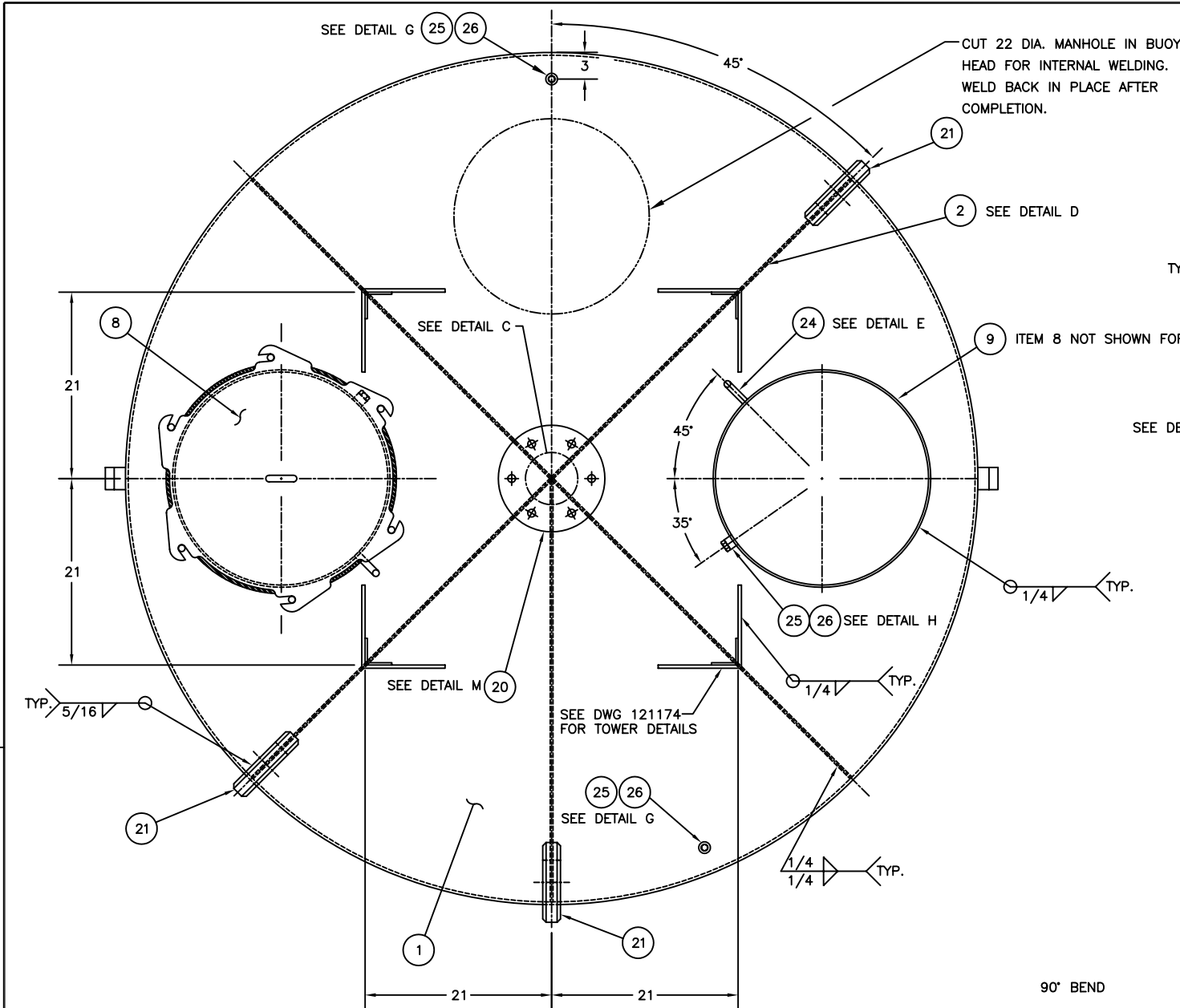
DESIGNED: U.S. COAST GUARD HEADQUARTERS
 DRAWN: R.V.F.
 TRACED: S.M.
 CHECKED: W.E.K.
 REVIEWED BY:
C. A. Kohler
 PROJECT ENGINEER
 REVIEWED BY:
S. D. Walker
 G-ECV-3B
 REVIEWED BY:

CIVIL ENGINEERING

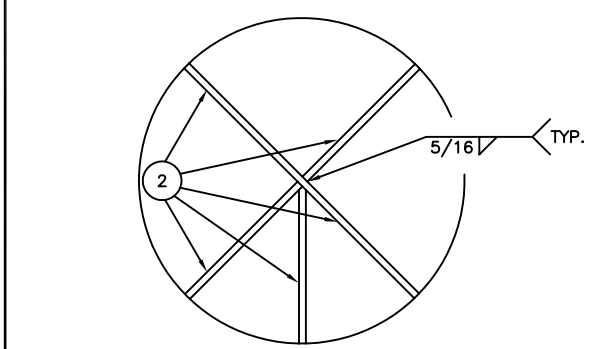
**1989 TYPE
8x26 LR BUOY**

APPROVED: **R. J. Wells** DATE: 10/16/89
 CHIEF, OCEAN ENGINEERING BRANCH

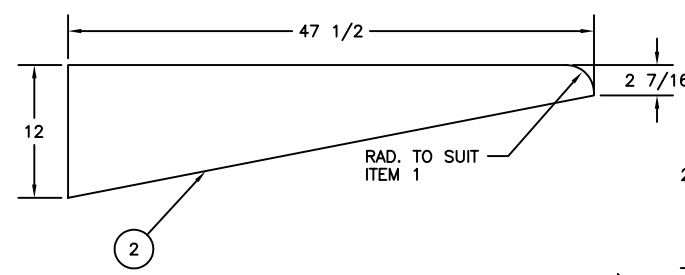
UNLESS OTHERWISE SPECIFIED: ALL DIMENSIONS ARE IN INCHES. TOLERANCES: DIM. ±1/8 ANG. ±1°	DRAWING NUMBER 121130	REV. F
SCALE: AS NOTED	SHEET 1 OF 4	



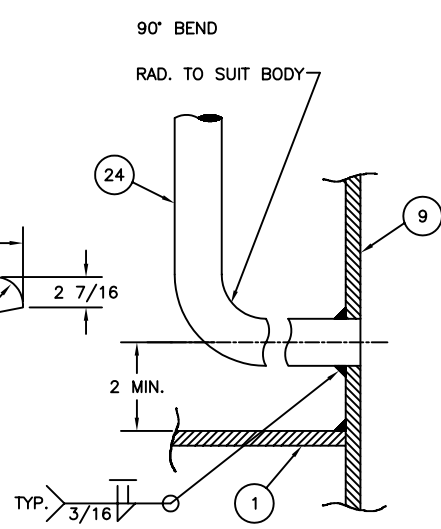
SECTION A-A
SCALE: 1 1/2"=1'-0"



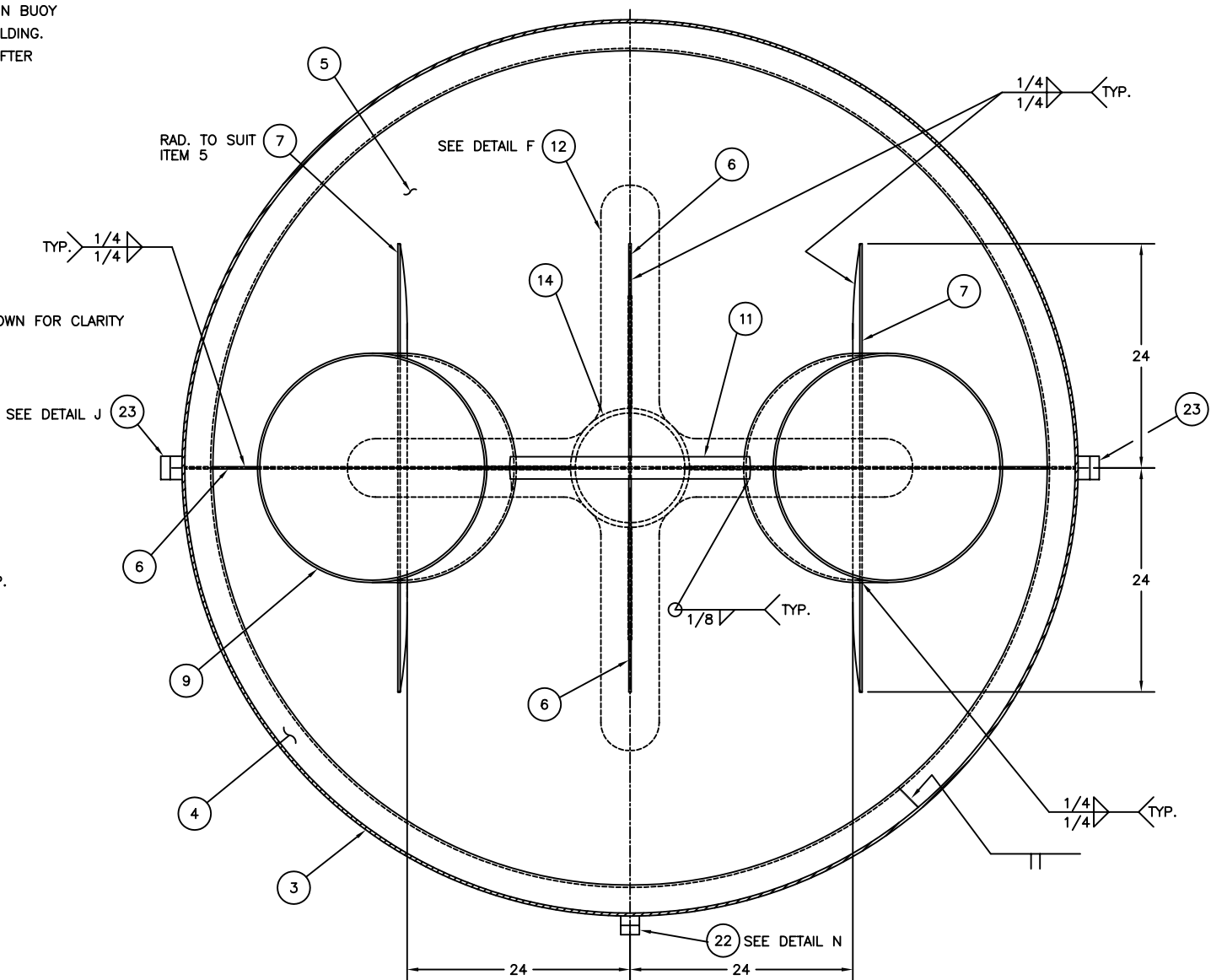
DETAIL C
SCALE: NONE



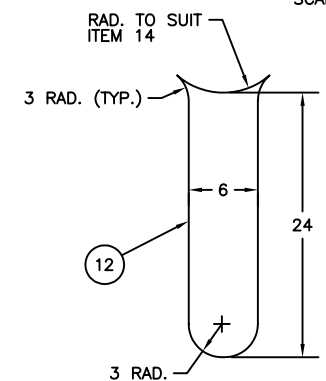
DETAIL D
SCALE: 1-1/2"=1'-0"



DETAIL E
SCALE: HALF

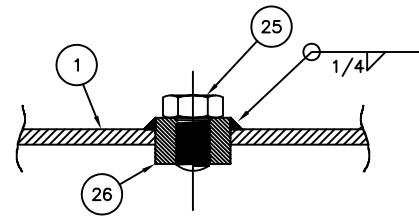


SECTION B-B
SCALE: 1 1/2"=1'-0"

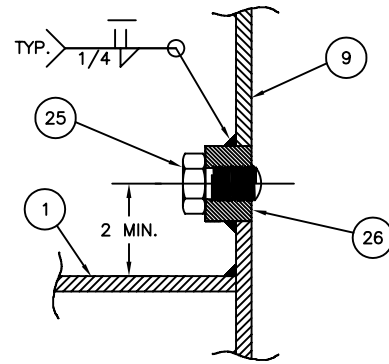


DETAIL F
SCALE: 1 1/2"=1'-0"

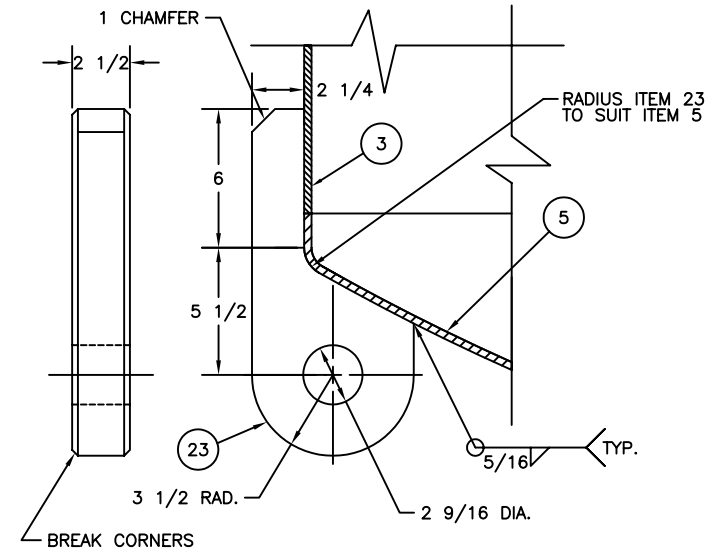
REV.	DATE	APPR.	DESCRIPTION	BY
F	6-4-99	S.W.	ADDED ADDITIONAL AIR TEST FITTING (ITEMS 25 & 26).	S.M.
E	8-15-96	S.W.	REORG DWG. DEL TOWER DETAILS. REF DWG 121174 FOR TWR. DEL 2 EA ITEMS 27, 28, & 29. SHORTEN ITEM 24.	S.M.
D	11-8-94	S.W.	DEL ITEM 59. MOD WELDS IN SECTIONS E-E & F-F. ADDED QTY FOR ITEM 45.	S.M.
C	1-29-93	W.D.	MODIFIED ITEM 31 & NOTES. SPECIFIED QTY REQUIRED FOR ITEMS 70-72. DEL ITEMS 41, 48, 49, 52, 55, AND 65-69.	S.M.
B	6-6-91	S.W.	MODIFIED REMARKS FOR ITEM 42.	S.M.
A	11-7-90	S.W.	MODIFIED ITEMS 48, 49, 50, BILL OF MATERIALS, AND NOTE 3. DELETED ITEM 51, SHEET 4, AND NOTE 4.	S.M.
DESIGNED:		U.S. COAST GUARD		HEADQUARTERS
DRAWN:		CIVIL		ENGINEERING
TRACED:		1989 TYPE		
CHECKED:		8x26 LR BUOY		
REVIEWED BY:		R. J. Wells		DATE
S.D. Walker		G-ECV-38		10/16/89
REVIEWED BY:		APPROVED:		DATE
		R. J. Wells		10/16/89
UNLESS OTHERWISE SPECIFIED:		DRAWING NUMBER		REV.
ALL DIMENSIONS ARE IN INCHES.		121130		F
TOLERANCES: DIM. ±1/8		SCALE: AS NOTED		SHEET 2 OF 4
ANG. ±1°				



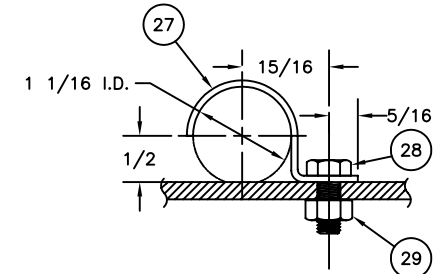
DETAIL G
SCALE: HALF



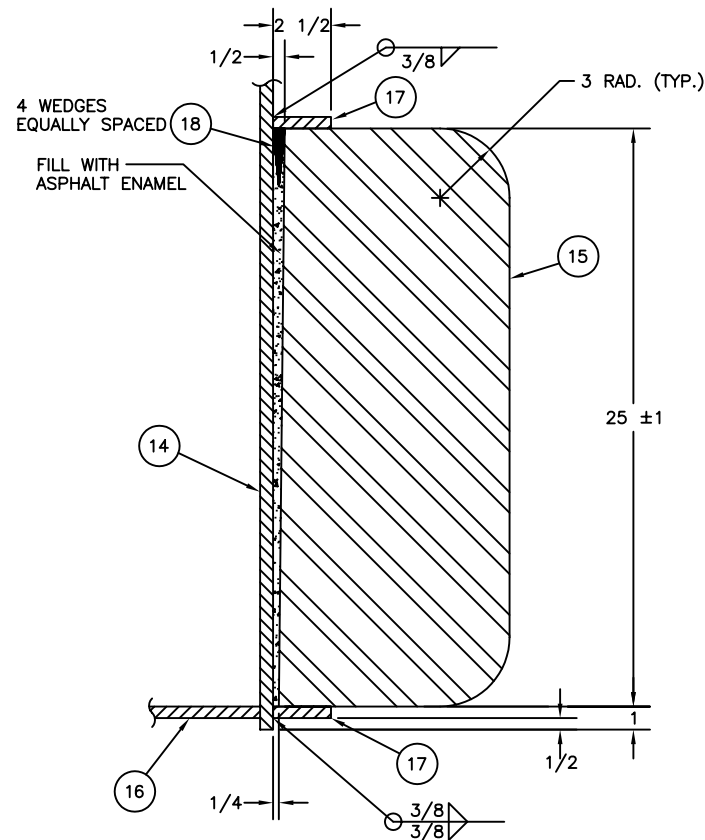
DETAIL H
SCALE: HALF



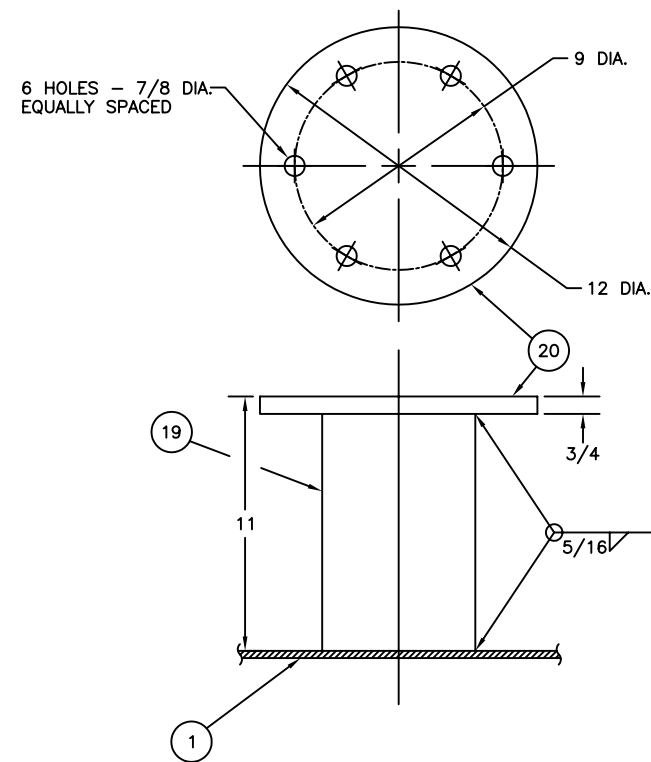
DETAIL J
SCALE: 3"=1'-0"



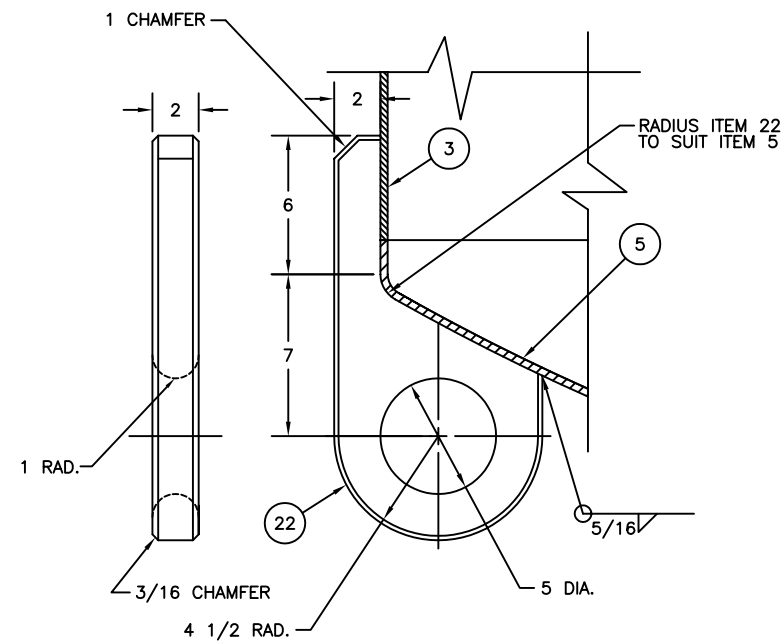
DETAIL K
SCALE: FULL



SECTION C-C
SCALE: 3"=1'-0"



DETAIL M
SCALE: 3"=1'-0"



DETAIL N
SCALE: 3"=1'-0"

REV.	DATE	APPR.	DESCRIPTION	BY
F	6-4-99	S.W.	ADDED ADDITIONAL AIR TEST FITTING (ITEMS 25 & 26).	S.M.
E	8-15-96	S.W.	REORG DWG. DEL TOWER DETAILS. REF DWG 121174 FOR TWR. DEL 2 EA ITEMS 27, 28, & 29. SHORTEN ITEM 24.	S.M.
D	11-8-94	S.W.	DEL ITEM 59. MOD WELDS IN SECTIONS E-E & F-F. ADDED QTY FOR ITEM 45.	S.M.
C	1-29-93	W.D.	MODIFIED ITEM 31 & NOTES. SPECIFIED QTY REQUIRED FOR ITEMS 70-72. DEL ITEMS 41, 48, 49, 52, 55, AND 65-69.	S.M.
B	6-6-91	S.W.	MODIFIED REMARKS FOR ITEM 42.	S.M.
A	11-7-90	S.W.	MODIFIED ITEMS 48, 49, 50, BILL OF MATERIALS, AND NOTE 3. DELETED ITEM 51, SHEET 4, AND NOTE 4.	S.M.
DESIGNED: U.S. COAST GUARD HEADQUARTERS				
DRAWN: R.V.F.				
TRACED: S.M.				
CHECKED: W.E.K.				
REVIEWED BY: C.A. Kohler PROJECT ENGINEER				
REVIEWED BY: S.D. Walker G-ECV-3B				
APPROVED: R. J. Wells			DATE: 10/16/89	
UNLESS OTHERWISE SPECIFIED: ALL DIMENSIONS ARE IN INCHES. TOLERANCES: DIM. ± 1/8 ANG. ± 1'				
DRAWING NUMBER: 121130			REV. F	
SCALE: AS NOTED			SHEET 3 OF 4	

BILL OF MATERIALS

ITEM NO.	NO. REQ.	DESCRIPTION	MATL.	REMARKS
1	1	TOP HEAD	STEEL	96 DIA. x 5/16 THK.
2	5	TOP HEAD STIFFNER	STEEL	12 x 5/16 THK.
3	1	WRAPPER	STEEL	96 DIA. x 5/16 THK.
4	1	WRAPPER STIFFNER	STEEL	3 x 3 x 1/4 L
5	1	BOTTOM HEAD	STEEL	96 DIA. x 5/16 THK.
6	3	BOTTOM HEAD STIFFNER	STEEL	12 x 1/4 THK.
7	2	POCKET BRACE	STEEL	10 x 1/4 THK.
8	2	POCKET COVER ASSEMBLY	STEEL	SEE DRAWING 121143
9	2	POCKET WRAPPER	STEEL	24 I.D. x 1/4 THK.
10	2	POCKET BOTTOM PLATE	STEEL	24 DIA. x 1/4 THK.
11	1	POCKET VENT PIPE	GALV. STEEL	2 SCH. 40
12	4	DOUBLER PLATE	STEEL	6 x 3/8 THK. x 24 LG.
13	4	GUSSET	STEEL	12 x 3/8 THK.
14	1	COUNTERWEIGHT TUBE	STEEL	12 XS PIPE
15	1	COUNTERWEIGHT	CAST IRON	SEE NOTE 2
16	1	COUNTERWEIGHT BOTTOM PLATE	STEEL	11 3/4 DIA x 1/2 THK
17	2	COUNTERWEIGHT CLAMP RING	STEEL	17 3/4 O.D. x 12 3/4 ID x 1/2 THK
18	4	WEDGE	STEEL	1 WD. x 1/2 THK. x 2 1/2 LG.
19	1	BELL STAND	STEEL	6 SCH. 80 PIPE
20	1	BELL STAND PLATE	STEEL	12 DIA. x 3/4 THK.
21	3	TOP HEAD LIFT EYE	STEEL	SEE DRAWING 121140
22	1	BOTTOM HEAD LIFT EYE	STEEL	2 THK. PLATE
23	2	MOORING EYE	STEEL	2 1/2 THK. PLATE
24	2	VENT LINE	STAIN. STEEL	3/4 SCH. 40
25	4	PIPE PLUG	STAIN. STEEL	3/4 NPT
26	4	HALF COUPLING	STAIN. STEEL	3/4 NPT
27	2	VENT PIPE CLIP	STAIN. STEEL	5/8 x 1/16 THK.
28	2	HEX HEAD CAP SCREW	STAIN. STEEL	1/4-20UNC-5/8 LG.
29	2	HEX NUT	STAIN. STEEL	1/4-20UNC

NOTES:

- SEE LATEST REVISION OF U.S.C.G. CIVIL ENGINEERING SPECIFICATION No. 464 FOR FABRICATION REQUIREMENTS.
- THE TOATAL WEIGHT OF ITEM 15 SHALL BE 4,420 LBS. (+5% OR -1%).
- TYPE 304 STAINLESS STEEL MAY BE SUBSTITUTED FOR ITEM 11.

F	6-4-99	S.W.	ADDED ADDITIONAL AIR TEST FITTING (ITEMS 25 & 26).	S.M.
E	8-15-96	S.W.	REORG DWG. DEL TOWER DETAILS. REF DWG 121174 FOR TWR. DEL 2 EA ITEMS 27, 28, & 29. SHORTEN ITEM 24.	S.M.
D	11-8-94	S.W.	DEL ITEM 59. MOD WELDS IN SECTIONS E-E & F-F. ADDED QTY FOR ITEM 45.	S.M.
C	1-29-93	W.D.	MODIFIED ITEM 31 & NOTES. SPECIFIED QTY REQUIRED FOR ITEMS 70-72. DEL ITEMS 41, 48, 49, 52, 55, AND 65-69.	S.M.
B	6-6-91	S.W.	MODIFIED REMARKS FOR ITEM 42.	S.M.
A	11-7-90	S.W.	MODIFIED ITEMS 48, 49, 50, BILL OF MATERIALS, AND NOTE 3. DELETED ITEM 51, SHEET 4, AND NOTE 4.	S.M.
REV.	DATE	APPR.	DESCRIPTION	BY
DESIGNED:		U.S. COAST GUARD HEADQUARTERS		
DRAWN: R.V.F.		CIVIL ENGINEERING		
TRACED: S.M.		1989 TYPE		
CHECKED: W.E.K.		8x26 LR BUOY		
REVIEWED BY:		C.A. Kohler PROJECT ENGINEER		
REVIEWED BY:		S.D. Walker G-ECV-3B		
REVIEWED BY:		APPROVED:	DATE	
		R. J. Wells CHIEF, OCEAN ENGINEERING BRANCH		10/16/89
UNLESS OTHERWISE SPECIFIED: ALL DIMENSIONS ARE IN INCHES. TOLERANCES: DIM. ±1/8 ANG. ±1°			DRAWING NUMBER	REV.
			121130	F
SCALE: AS NOTED			SHEET 4	OF 4