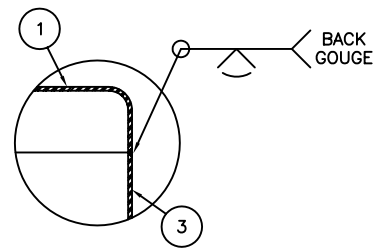
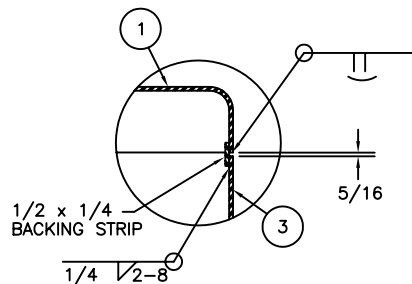


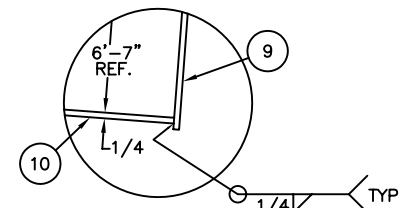
8x26 LWR BUOY ASSEMBLY
SCALE: 1"=1'-0"



DETAIL A
SCALE: NONE



DETAIL A
SCALE: NONE
OPTIONAL

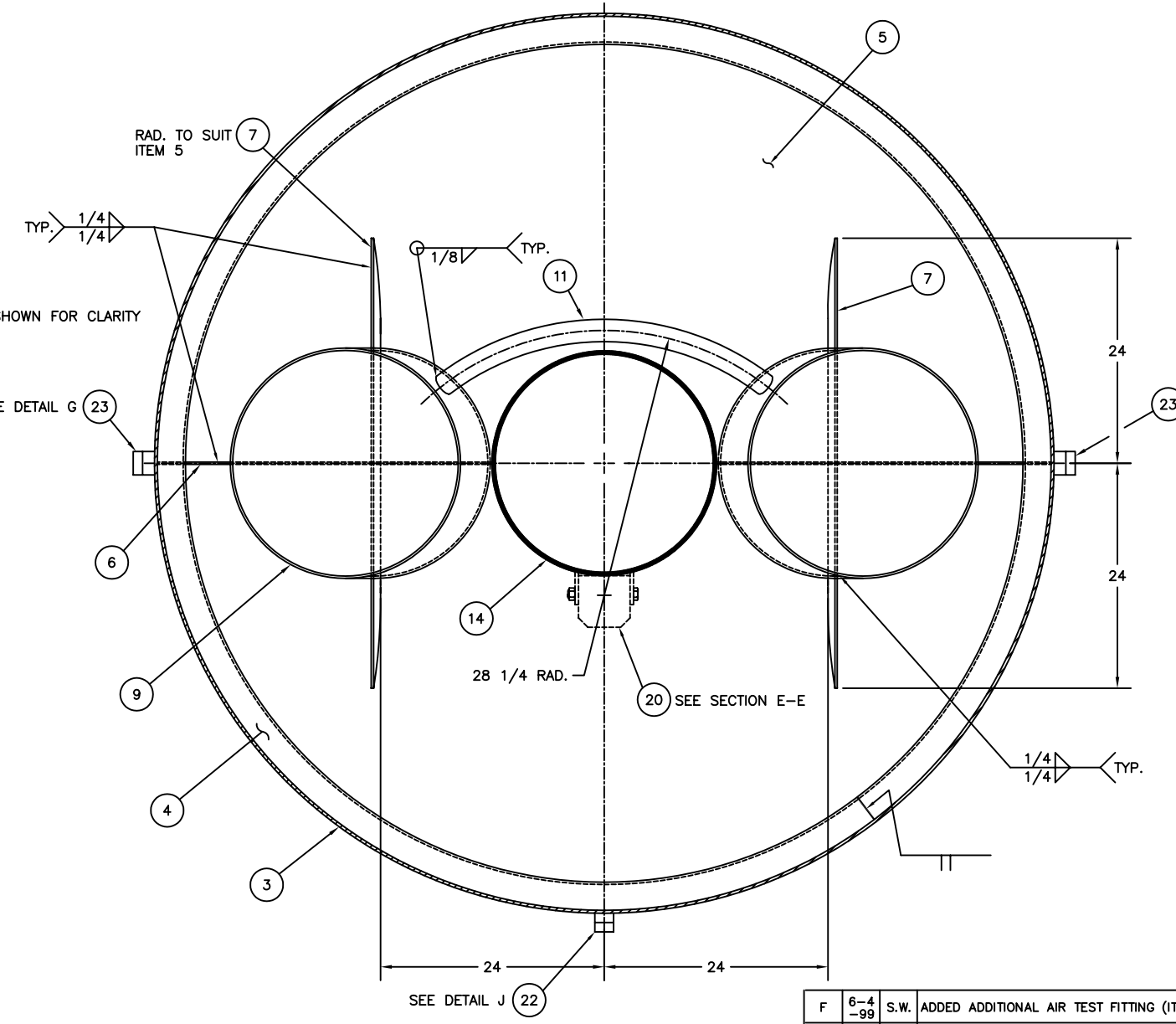
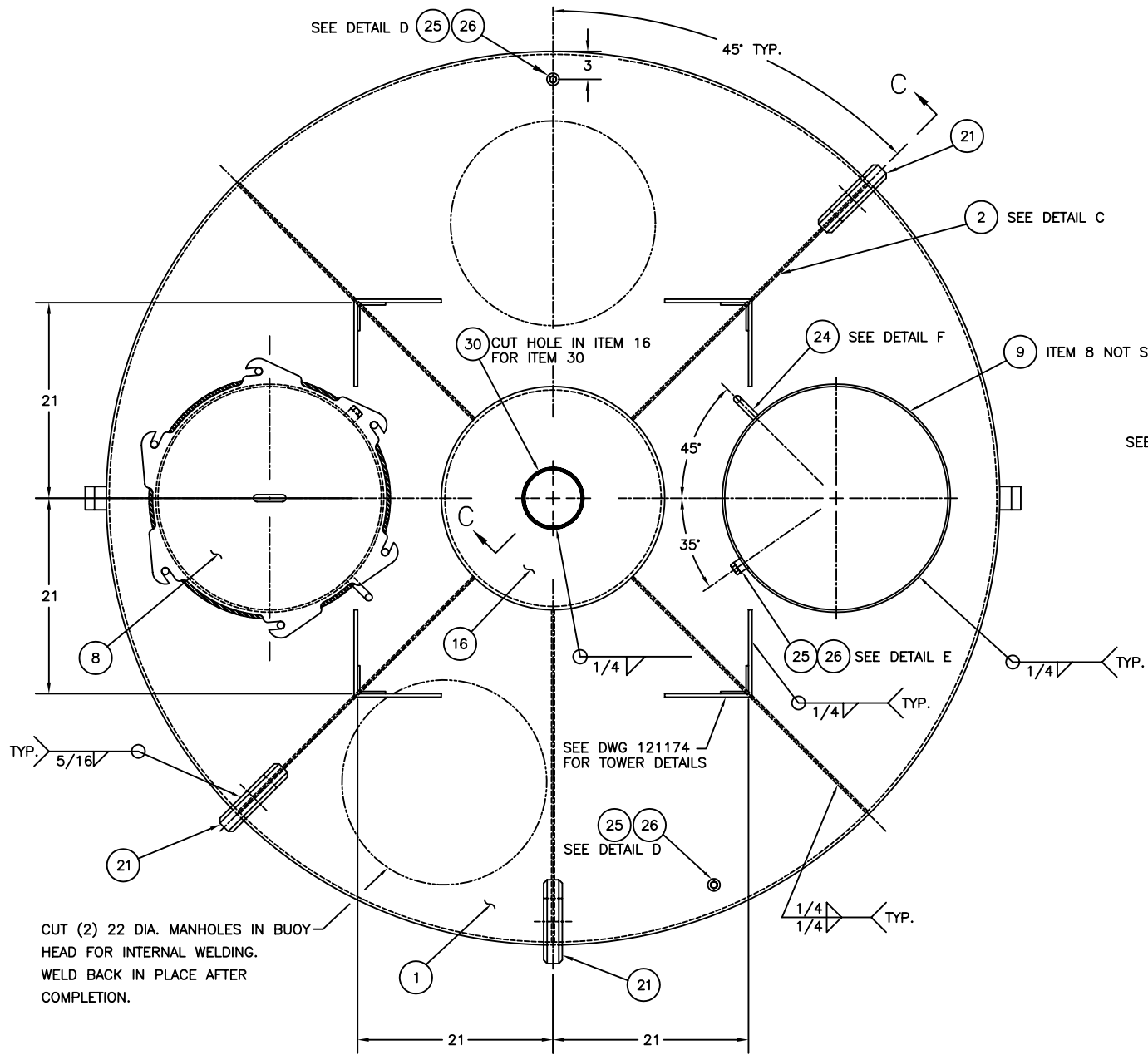


DETAIL B
SCALE: 3"=1'-0"

REV.	DATE	APPR.	DESCRIPTION	BY
F	6-4-99	S.W.	ADDED ADDITIONAL AIR TEST FITTING (ITEMS 25 & 26).	S.M.
E	8-15-96	S.W.	REORG DWG. DEL TOWER DETAILS. REF DWG 121174 FOR TWR. DEL 2 EA ITEMS 27, 28, & 29. SHORTEN ITEM 24.	S.M.
D	11-8-94	S.W.	DEL ITEM 59, MOD WELDS IN SECTIONS E-E & F-F. ADDED QTY FOR ITEM 45.	S.M.
C	2-12-93	W.D.	MODIFIED NOTES. SPECIFIED QTY REQUIRED FOR ITEMS 70 THRU 72. DEL ITEMS 41, 48, 49, 52, 55, AND 65-69.	S.M.
B	6-6-91	S.W.	MODIFIED REMARKS FOR ITEM 42.	S.M.
A	11-13-90	S.W.	MODIFIED ITEMS 48, 49, 50, BILL OF MATERIALS, AND NOTES 3 & 4. DELETED ITEM 51 AND SHEET 4.	S.M.

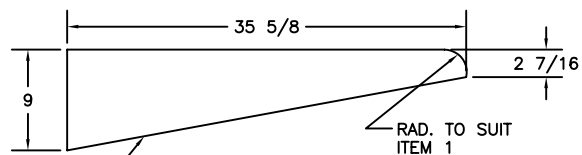
DESIGNED:	U.S. COAST GUARD	HEADQUARTERS
DRAWN:	R.V.F.	
TRACED:	S.M.	
CHECKED:	W.E.K.	
REVIEWED BY:		
PROJECT ENGINEER	C.A. Kohler	
REVIEWED BY:		
REVIEWED BY:	S.D. Walker	
REVIEWED BY:	G-ECV-3B	
APPROVED:	R.J. Wells	DATE 10/16/89
	CHIEF, OCEAN ENGINEERING BRANCH	

UNLESS OTHERWISE SPECIFIED: ALL DIMENSIONS ARE IN INCHES. TOLERANCES: DIM. ±1/8 ANG. ±1°	DRAWING NUMBER 121131	REV. F
SCALE: AS NOTED	SHEET 1	OF 4



SECTION A-A

SCALE: 1-1/2"=1'-0"

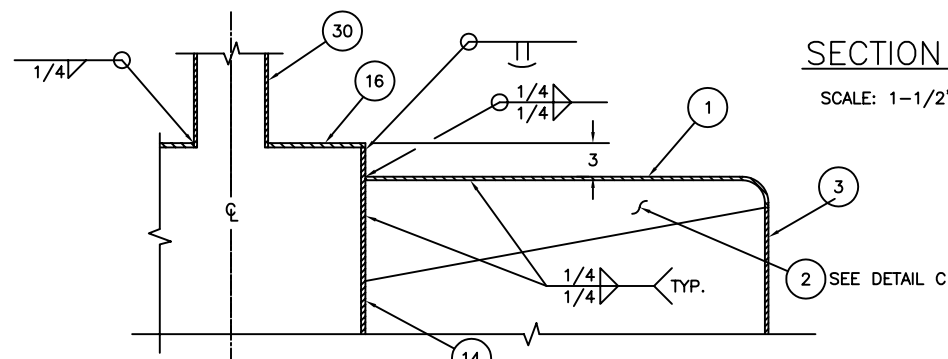


DETAIL C

SCALE: 1-1/2"=1'-0"

SECTION B-B

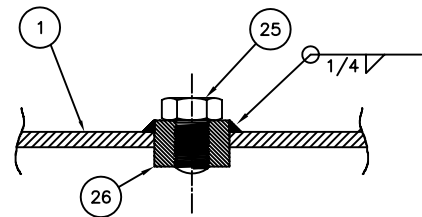
SCALE: 1-1/2"=1'-0"



SECTION C-C

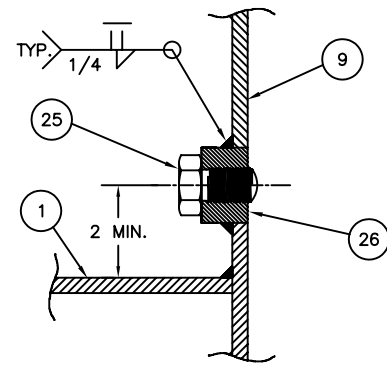
SCALE: 1-1/2"=1'-0"

REV.	DATE	APPR.	DESCRIPTION	BY
F	6-4-99	S.W.	ADDED ADDITIONAL AIR TEST FITTING (ITEMS 25 & 26).	S.M.
E	8-15-96	S.W.	REORG DWG. DEL TOWER DETAILS. REF DWG 121174 FOR TWR. DEL 2 EA ITEMS 27, 28, & 29. SHORTEN ITEM 24.	S.M.
D	11-8-94	S.W.	DEL ITEM 59. MOD WELDS IN SECTIONS E-E & F-F. ADDED QTY FOR ITEM 45.	S.M.
C	2-12-93	W.D.	MODIFIED NOTES. SPECIFIED QTY REQUIRED FOR ITEMS 70 THRU 72. DEL ITEMS 41, 48, 49, 52, 55, AND 65-69.	S.M.
B	6-6-91	S.W.	MODIFIED REMARKS FOR ITEM 42.	S.M.
A	11-13-90	S.W.	MODIFIED ITEMS 48, 49, 50, BILL OF MATERIALS, AND NOTES 3 & 4. DELETED ITEM 51 AND SHEET 4.	S.M.
DESIGNED:			U.S. COAST GUARD	HEADQUARTERS
DRAWN:			CIVIL ENGINEERING	
TRACED:			1989 TYPE	
CHECKED:			8x26 LWR BUOY	
REVIEWED BY:			C.A. Kohler PROJECT ENGINEER	
REVIEWED BY:			S.D. Walker 6-EGV-3B	
APPROVED:			R.J. Wells	DATE: 10/16/89
UNLESS OTHERWISE SPECIFIED: ALL DIMENSIONS ARE IN INCHES. TOLERANCES: DIM. ±1/8 ANG. ±1°			DRAWING NUMBER 121131	REV. F
SCALE: AS NOTED			SHEET 2 OF 4	



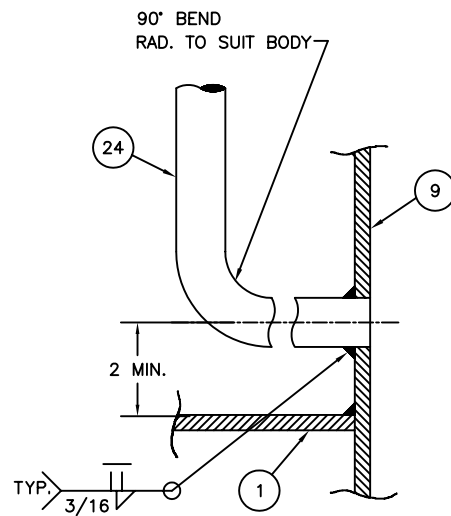
DETAIL D

SCALE: HALF



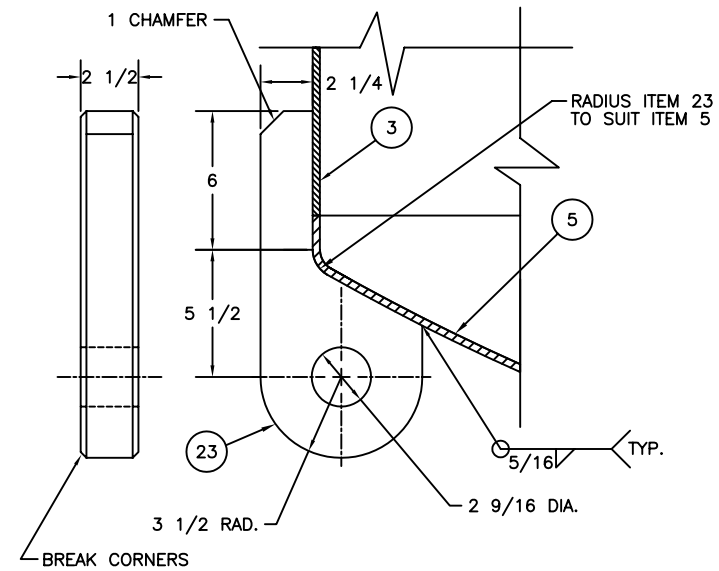
DETAIL E

SCALE: HALF



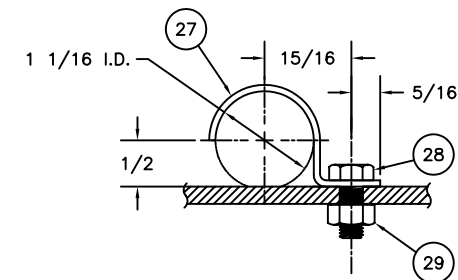
DETAIL F

SCALE: HALF



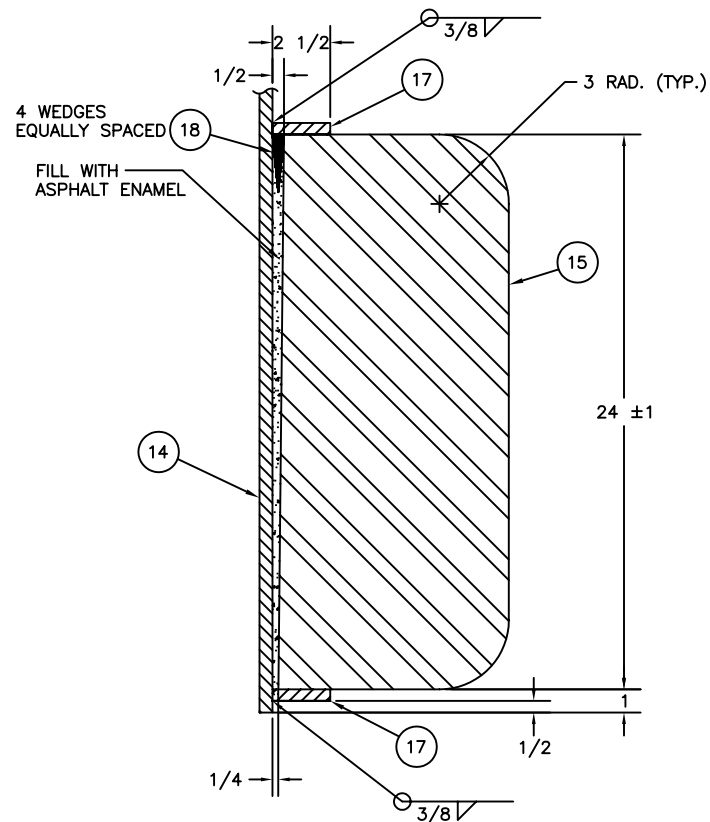
DETAIL G

SCALE: 3"=1'-0"



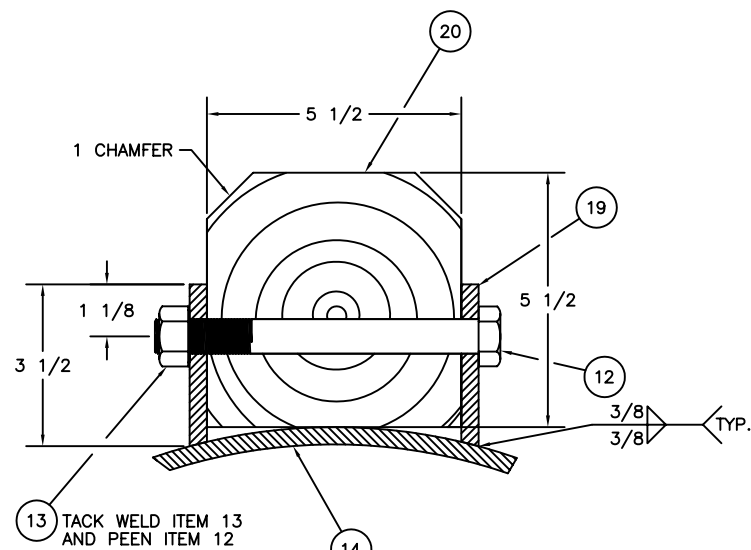
DETAIL H

SCALE: FULL



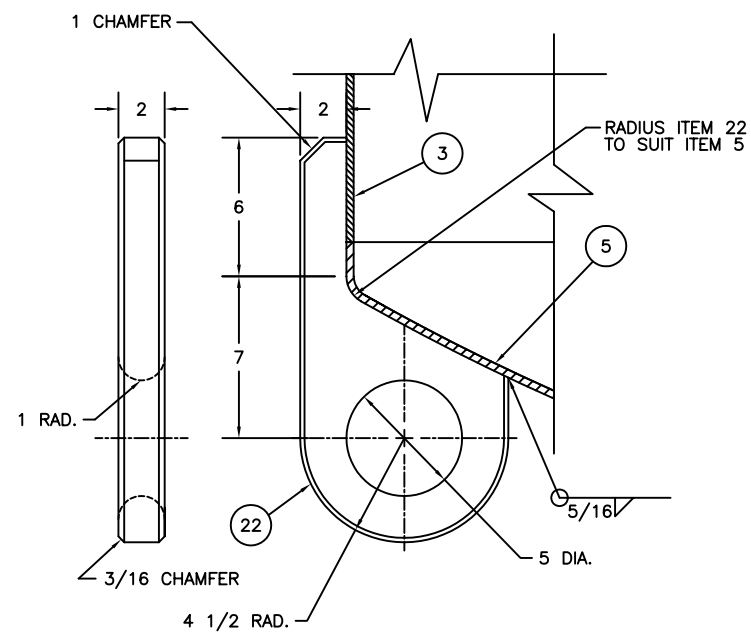
SECTION D-D

SCALE: 3"=1'-0"



SECTION E-E

SCALE: HALF



DETAIL J

SCALE: 3"=1'-0"

REV.	DATE	APPR.	DESCRIPTION	BY
F	6-4-99	S.W.	ADDED ADDITIONAL AIR TEST FITTING (ITEMS 25 & 26).	S.M.
E	8-15-96	S.W.	REORG DWG. DEL TOWER DETAILS. REF DWG 121174 FOR TWR. DEL 2 EA ITEMS 27, 28, & 29. SHORTEN ITEM 24.	S.M.
D	11-8-94	S.W.	DEL ITEM 59, MOD WELDS IN SECTIONS E-E & F-F. ADDED QTY FOR ITEM 45.	S.M.
C	2-12-93	W.D.	MODIFIED NOTES. SPECIFIED QTY REQUIRED FOR ITEMS 70 THRU 72. DEL ITEMS 41, 48, 49, 52, 55, AND 65-69.	S.M.
B	6-6-91	S.W.	MODIFIED REMARKS FOR ITEM 42.	S.M.
A	11-13-90	S.W.	MODIFIED ITEMS 48, 49, 50, BILL OF MATERIALS, AND NOTES 3 & 4. DELETED ITEM 51 AND SHEET 4.	S.M.

DESIGNED:	U.S. COAST GUARD		HEADQUARTERS
DRAWN:	R.V.F.		
TRACED:	S.M.		
CHECKED:	W.E.K.		
REVIEWED BY:	C.A. Kohler		
PROJECT ENGINEER			
REVIEWED BY:	S.D. Walker		
REVIEWED BY:	G-ECV-3B		
APPROVED:	R. J. Wells		DATE
	CHIEF, OCEAN ENGINEERING BRANCH		10/16/89

UNLESS OTHERWISE SPECIFIED: ALL DIMENSIONS ARE IN INCHES. TOLERANCES: DIM. ±1/8 ANG. ±1°	DRAWING NUMBER	REV.
	121131	F
SCALE: AS NOTED	SHEET 3 OF 4	

BILL OF MATERIALS

ITEM NO.	NO. REQ.	DESCRIPTION	MATL.	REMARKS
1	1	TOP HEAD	STEEL	96 DIA. x 5/16 THK.
2	5	TOP HEAD STIFFNER	STEEL	9 x 5/16 THK.
3	1	WRAPPER	STEEL	96 DIA. x 5/16 THK.
4	1	WRAPPER STIFFNER	STEEL	3 x 3 x 1/4 L
5	1	BOTTOM HEAD	STEEL	96 DIA. x 5/16 THK.
6	2	BOTTOM HEAD STIFFNER	STEEL	12 x 1/4 THK.
7	2	POCKET BRACE	STEEL	10 x 1/4 THK.
8	2	POCKET COVER ASSEMBLY	STEEL	SEE DRAWING 121143
9	2	POCKET WRAPPER	STEEL	24 I.D. x 1/4 THK.
10	2	POCKET BOTTOM PLATE	STEEL	24 DIA. x 1/4 THK.
11	1	POCKET VENT PIPE	GALV. STEEL	2 SCH. 40
12	4	HEX HEAD BOLT	STEEL	3/4-10UNC-7 LG. SAE GRADE 5
13	4	HEX NUT	STEEL	3/4-10UNC SAE GRADE 5
14	1	COUNTERWEIGHT TUBE	STEEL	24 SCH 20 PIPE
15	1	COUNTERWEIGHT	CAST IRON	SEE NOTE 2
16	1	WHISTLE COVER PLATE	STEEL	24 DIA. x 3/8 THK.
17	2	COUNTERWEIGHT CLAMP RING	STEEL	29 O.D. x 24 I.D. x 1/2 THK.
18	4	WEDGE	STEEL	1 WD. x 1/2 THK. x 2 1/2 LG.
19	2	FENDER SUPPORTS	STEEL	3 1/2 WD. x 3/8 THK. x 42 LG.
20	1	FENDER	WOOD	6 x 6 x 42 LG
21	3	TOP HEAD LIFT EYE	STEEL	SEE DRAWING 121140
22	1	BOTTOM HEAD LIFT EYE	STEEL	2 THK. PLATE
23	2	MOORING EYE	STEEL	2 1/2 THK. PLATE
24	2	VENT LINE	STAIN. STEEL	3/4 SCH. 40
25	4	PIPE PLUG	STAIN. STEEL	3/4 NPT
26	4	HALF COUPLING	STAIN. STEEL	3/4 NPT
27	2	VENT PIPE CLIP	STAIN. STEEL	5/8 x 1/16 THK.
28	2	HEX HEAD CAP SCREW	STAIN. STEEL	1/4-20UNC-5/8 LG.
29	2	HEX NUT	STAIN. STEEL	1/4-20UNC
30	1	WHISTLE PIPE	STEEL	6 SCH 40x32 1/2 LG SEE NOTE 4

NOTES:

- SEE LATEST REVISION OF U.S.C.G. CIVIL ENGINEERING SPECIFICATION No. 464 FOR FABRICATION REQUIREMENTS.
- THE TOATAL WEIGHT OF ITEM 15 SHALL BE 4,000 LBS. (+5% OR -1%).
- TYPE 304 STAINLESS STEEL MAY BE SUBSTITUTED FOR ITEM 11.
- THE TOP OF ITEM 30 SHALL BE CUT FLUSH WITH THE WHISTLE VALVE SUPPORT ANGLE ON THE 8X26 TOWER (DWG 121174) .

F	6-4-99	S.W.	ADDED ADDITIONAL AIR TEST FITTING (ITEMS 25 & 26).	S.M.
E	8-15-96	S.W.	REORG DWG. DEL TOWER DETAILS. REF DWG 121174 FOR TWR. DEL 2 EA ITEMS 27, 28, & 29. SHORTEN ITEM 24.	S.M.
D	11-8-94	S.W.	DEL ITEM 59. MOD WELDS IN SECTIONS E-E & F-F. ADDED QTY FOR ITEM 45.	S.M.
C	2-12-93	W.D.	MODIFIED NOTES. SPECIFIED QTY REQUIRED FOR ITEMS 70 THRU 72. DEL ITEMS 41, 48, 49, 52, 55, AND 65-69.	S.M.
B	6-6-91	S.W.	MODIFIED REMARKS FOR ITEM 42.	S.M.
A	11-13-90	S.W.	MODIFIED ITEMS 48, 49, 50, BILL OF MATERIALS, AND NOTES 3 & 4. DELETED ITEM 51 AND SHEET 4.	S.M.
REV.	DATE	APPR.	DESCRIPTION	BY
DESIGNED:		U.S. COAST GUARD HEADQUARTERS		
DRAWN: R.V.F.		CIVIL ENGINEERING		
TRACED: S.M.		1989 TYPE		
CHECKED: W.E.K.		8x26 LWR BUOY		
REVIEWED BY:		C.A. Kohler PROJECT ENGINEER		
REVIEWED BY:		S.D. Walker G-ECV-3B		
REVIEWED BY:		APPROVED:	R. J. Wells	DATE 10/16/89
REVIEWED BY:		CHIEF, OCEAN ENGINEERING BRANCH		
UNLESS OTHERWISE SPECIFIED: ALL DIMENSIONS ARE IN INCHES. TOLERANCES: DIM. ±1/8 ANG. ±1°		DRAWING NUMBER 121131		REV. F
SCALE: AS NOTED		SHEET 4 OF 4		