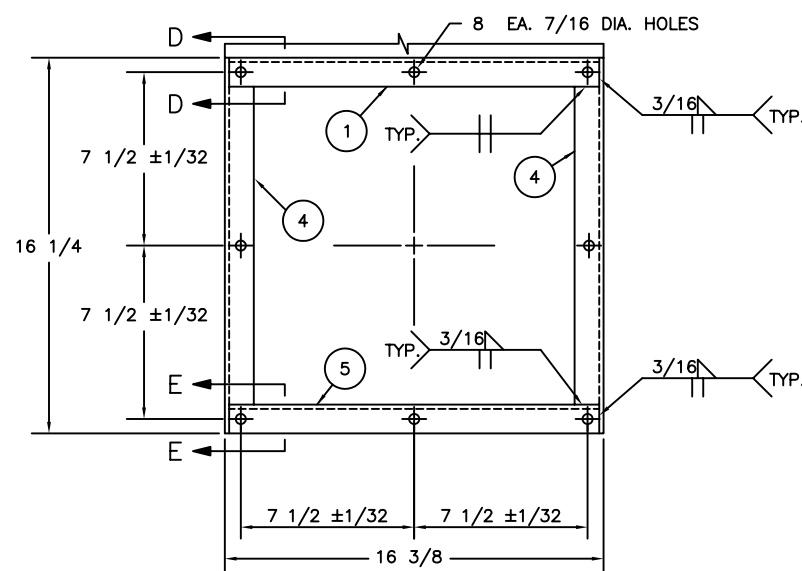
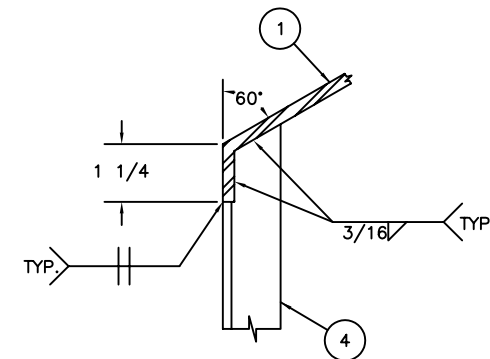


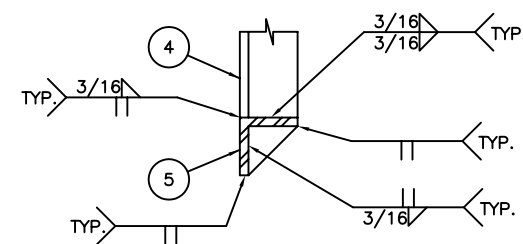
TOP VIEW  
SCALE: 1 1/2"=1'-0"



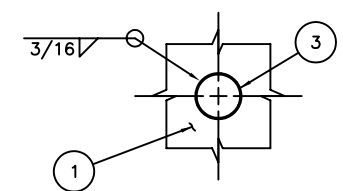
VIEW A-A  
SCALE: 3"=1'-0"  
(FOR CLARITY, ONLY ITEMS 1, 4, & 5 ARE SHOWN)



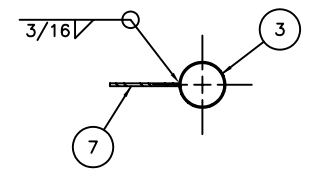
SECTION D-D  
SCALE: HALF



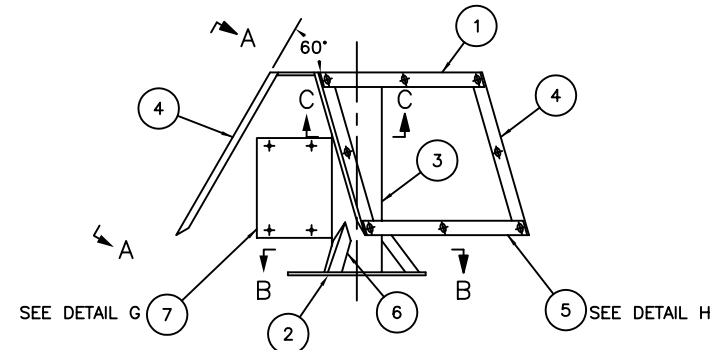
SECTION E-E  
SCALE: HALF



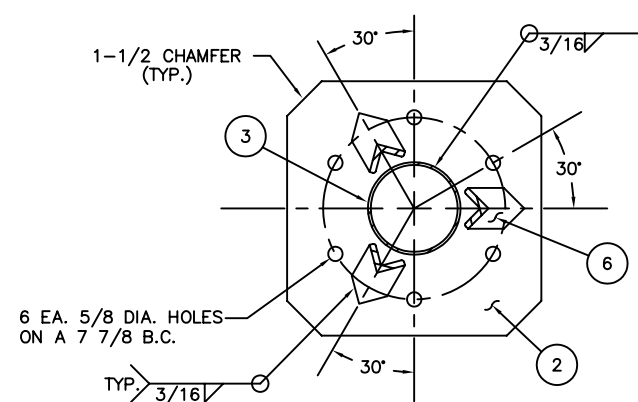
SECTION C-C  
SCALE: 1 1/2"=1'-0"



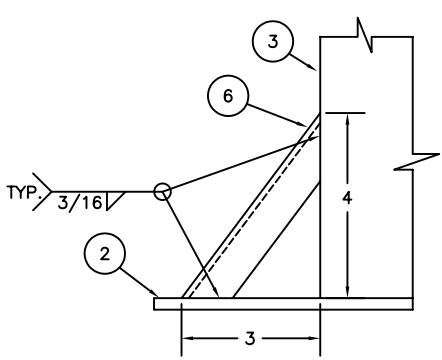
SECTION F-F  
SCALE: 1 1/2"=1'-0"



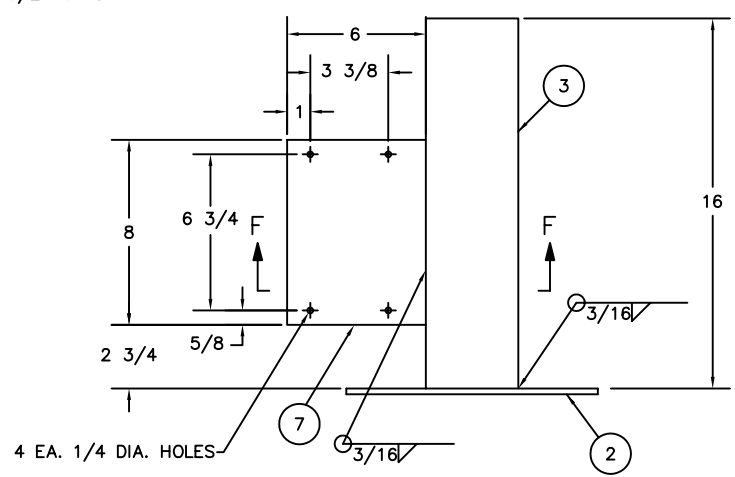
FRONT VIEW  
SCALE: 1 1/2"=1'-0"



SECTION B-B  
SCALE: 3"=1'-0"



DETAIL H  
SCALE: HALF  
(FOR CLARITY, ITEM 6 IS SHOWN ROTATED 60° CLOCKWISE)



DETAIL G  
SCALE: 3"=1'-0"  
(FOR CLARITY, ONLY ITEMS 2, 3, & 7 ARE SHOWN)

BILL OF MATERIALS			
ITEM NO.	REQ.	DESCRIPTION	MATL. REMARKS
1	1	TOP PLATE	ALUM. 1/4 THK.
2	1	BOTTOM PLATE	ALUM. 11 SQ. x 3/8 THK.
3	1	CENTER PIPE	ALUM. 4 SCH. 40 PIPE x 16 LG.
4	6	SIDE ANGLE	ALUM. 1-1/4 x 1-1/4 x 3/16 L
5	3	BOTTOM ANGLE	ALUM. 1-1/4 x 1-1/4 x 3/16 L
6	3	GUSSET	ALUM. 1-1/4 x 1-1/4 x 3/16 L
7	1	MOUNTING PLATE	ALUM. 8 x 6 x 1/4 THK.
8	1	STUFFING TUBE	NYLON MIL PART # M19622/1-005
9	1	PACKING ASSEMBLY	RUBBER MIL PART # M19622/19-0004

NOTES:  
 1. SEE LATEST REVISION OF U. S. COAST GUARD CIVIL ENGINEERING SPECIFICATION 461 FOR FABRICATION REQUIREMENTS.  
 2. NSN 5975-00-989-5046  
 3. NSN 5330-00-202-2594

REV.	DATE	APPR.	DESCRIPTION	BY
D	4-24-98	SW	DEL ITEM 9. MOD BILL OF MATERIALS. REORGANIZED DWG.	S.M.
C	3-26-91	SW	MODIFIED ITEM 2.	S.M.
B	2-20-91	SW	REDRAWN USING AUTOCAD.	DAG
A	1-23-91	SW	ADDED TOLERANCE TO VIEW A-A.	W.D.

DESIGNED: R.B.	U.S. COAST GUARD	HEADQUARTERS
DRAWN: W.D.	CIVIL ENGINEERING	
TRACED: S.M.	3x10 WATT SOLAR PANEL FRAME	
CHECKED:		
REVIEWED BY:		
Sean McEvoy PROJECT ENGINEER		
REVIEWED BY:		
Stan Walker G-ECV-3B	APPROVED:	DATE
	R. J. Wells	4-4-90
	CHIEF OF OCEAN ENGINEERING BRANCH	
UNLESS OTHERWISE SPECIFIED: ALL DIMENSIONS ARE IN INCHES. TOLERANCES: DIM. ±1/8 ANG. ±1°		
DRAWING NUMBER		REV.
121133		D
SCALE: AS NOTED	SHEET 1 OF 1	