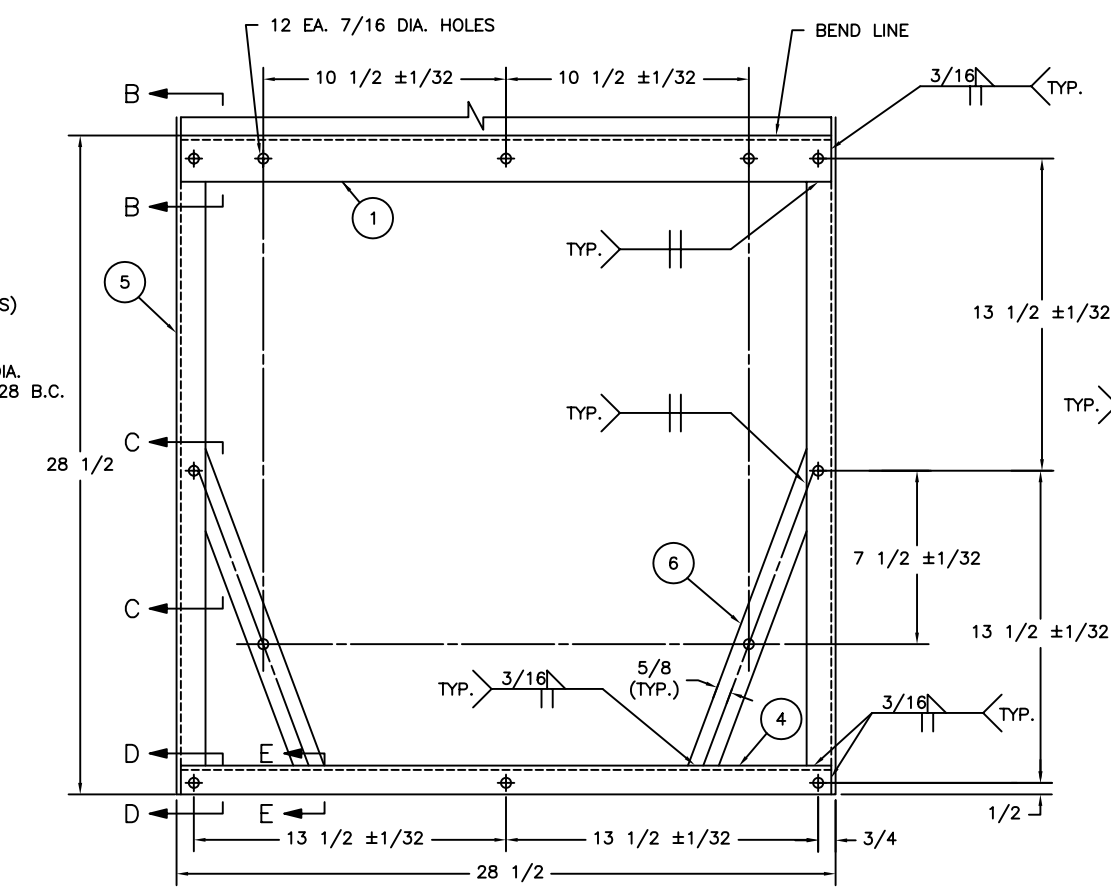
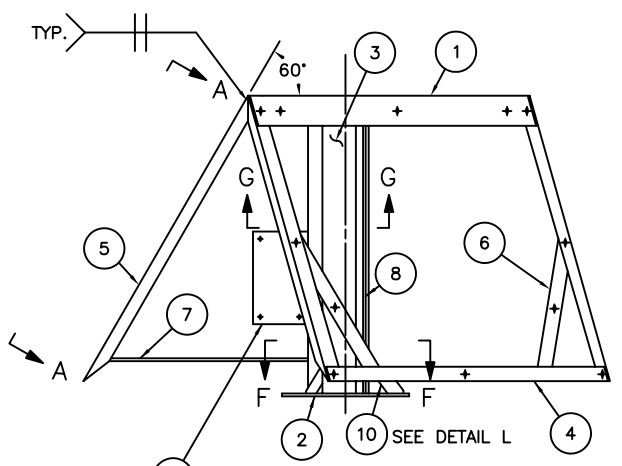


TOP VIEW
SCALE: 1-1/2"=1'-0"



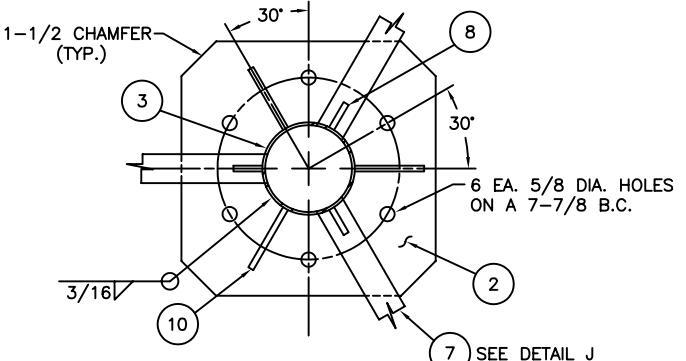
SECTION B-B
SCALE: HALF

SECTION C-C
SCALE: HALF

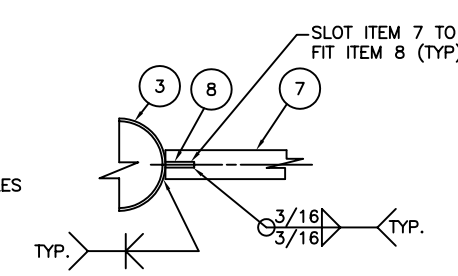


FRONT VIEW
SCALE: 1-1/2"=1'-0"

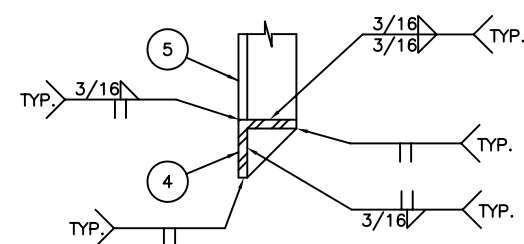
VIEW A-A
SCALE: 3"=1'-0"
(FOR CLARITY, ONLY ITEMS 1, 4, 5, & 6 ARE SHOWN)



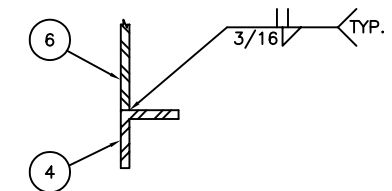
SECTION F-F
SCALE: 1-1/2"=1'-0"



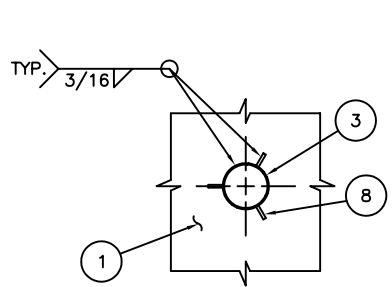
DETAIL J
SCALE: 3"=1'-0"
(ITEMS 7 & 8 SHOWN ROTATED 60° CLOCKWISE)



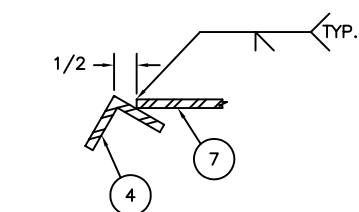
SECTION D-D
SCALE: HALF



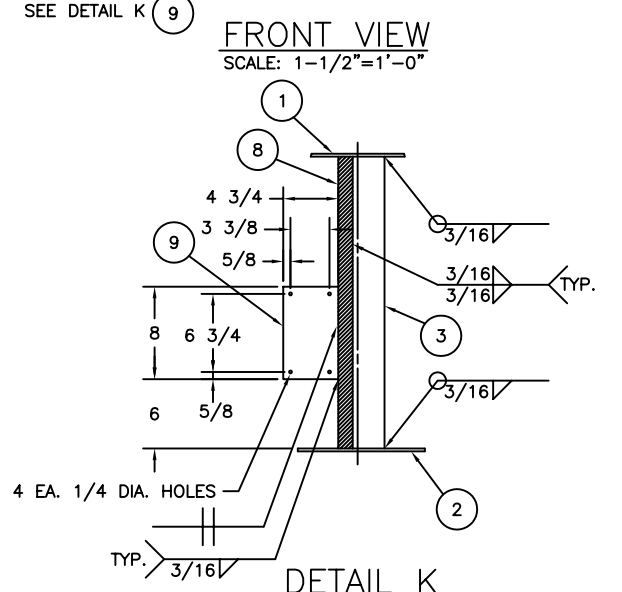
SECTION E-E
SCALE: HALF



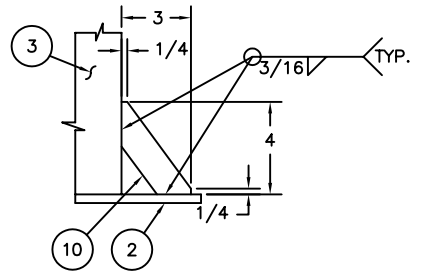
SECTION G-G
SCALE: 1 1/2"=1'-0"



SECTION H-H
SCALE: HALF



DETAIL K
SCALE: 1-1/2"=1'-0"
(FOR CLARITY, ONLY ITEMS 1, 2, 3, 6, & 1 EA. ITEM 8 ARE SHOWN)



DETAIL L
SCALE: 3"=1'-0"
(FOR CLARITY, ONLY ITEMS 2, 3, & 10 ARE SHOWN)

BILL OF MATERIALS				
ITEM NO.	NO. REQ.	DESCRIPTION	MATL.	REMARKS
1	1	TOP PLATE	ALUM.	1/4 THK.
2	1	BOTTOM PLATE	ALUM.	11 SQ. x 3/8 THK.
3	1	CENTER PIPE	ALUM.	4 SCH. 40 PIPE x 25-3/4 LG.
4	3	ANGLE	ALUM.	1-1/4x1-1/4x3/16 L
5	6	SIDE ANGLE	ALUM.	1-1/4x1-1/4x3/16 L
6	6	MOUNTING BAR	ALUM.	1-1/4 WD. x 3/16 THK.
7	3	BRACE	ALUM.	1-1/4 WD. x 1/4 THK.
8	3	STIFFNER BAR	ALUM.	1-1/4 WD. x 1/4 THK.
9	1	MOUNTING PLATE	ALUM.	8 x 4-3/4 x 1/4 THK.
10	3	GUSSET	ALUM.	1-1/4 WD. x 1/4 THK.
11	1	DORN STUFFING TUBE	PLASTIC	MIL PART # M19622/1-005
12	1	PACKING ASSEMBLY	RUBBER	MIL PART # M19622/19-0004

NOTES:

- SEE LATEST REVISION OF U. S. COAST GUARD CIVIL ENGINEERING SPECIFICATION 461 FOR FABRICATION REQUIREMENTS.
- NSN 5975-00-989-5046
- NSN 5330-00-202-2594

REV.	DATE	APPR.	DESCRIPTION	BY
D	4-24-98	SW	DEL ITEM 12. MOD BILL OF MATERIALS. REORGANIZED DWG.	S.M.
C	3-26-91	SW	MODIFIED ITEM 2.	S.M.
B	2-20-91	SW	REDRAWN USING AUTOCAD.	DAG
A	1-23-91	SW	MODIFIED ITEMS 5 & 6. ADDED TOLERANCE TO VIEW A-A.	W.D.

DESIGNED BY: R.B.	U.S. COAST GUARD	HEADQUARTERS
DRAWN BY: W.D.	CIVIL ENGINEERING	
TRACED BY: S.M.	3x35 WATT SOLAR PANEL FRAME	
CHECKED BY:		
REVIEWED BY: Sean McEvoy	PROJECT ENGINEER	
REVIEWED BY: Stan Walker	G-ECV-3B	
REVIEWED BY:	APPROVED: R. J. Wells	DATE: 4-4-90
UNLESS OTHERWISE SPECIFIED: ALL DIMENSIONS ARE IN INCHES. TOLERANCES: DIM. ±1/8 ANG. ±1°		
DRAWING NUMBER: 121135		REV. D
SCALE: AS NOTED		SHEET 1 OF 1