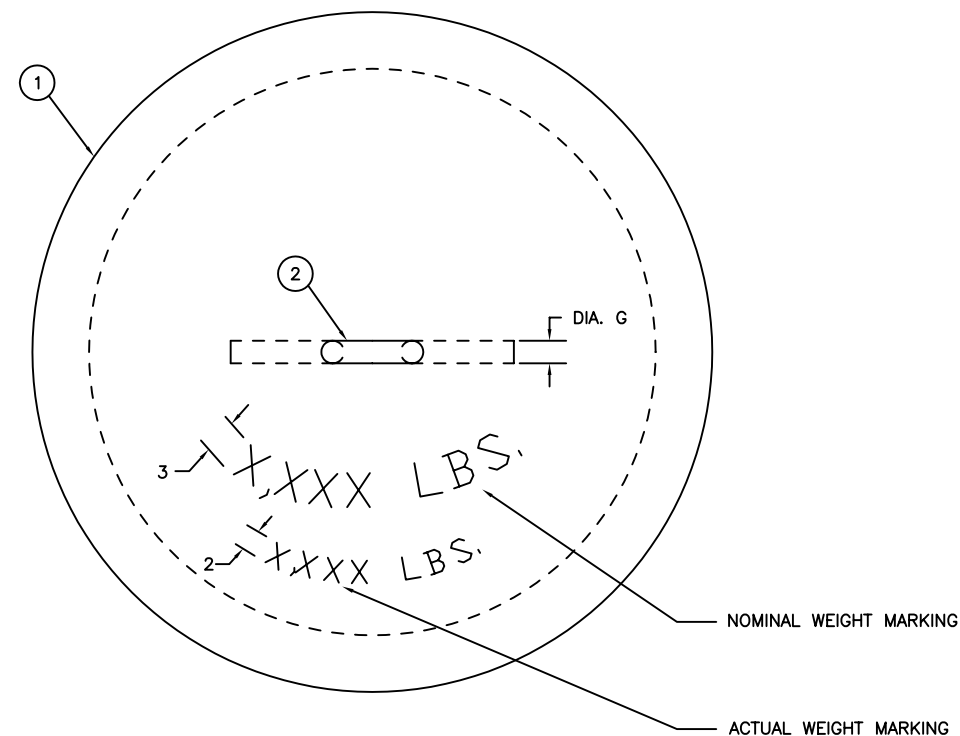


BILL OF MATERIALS

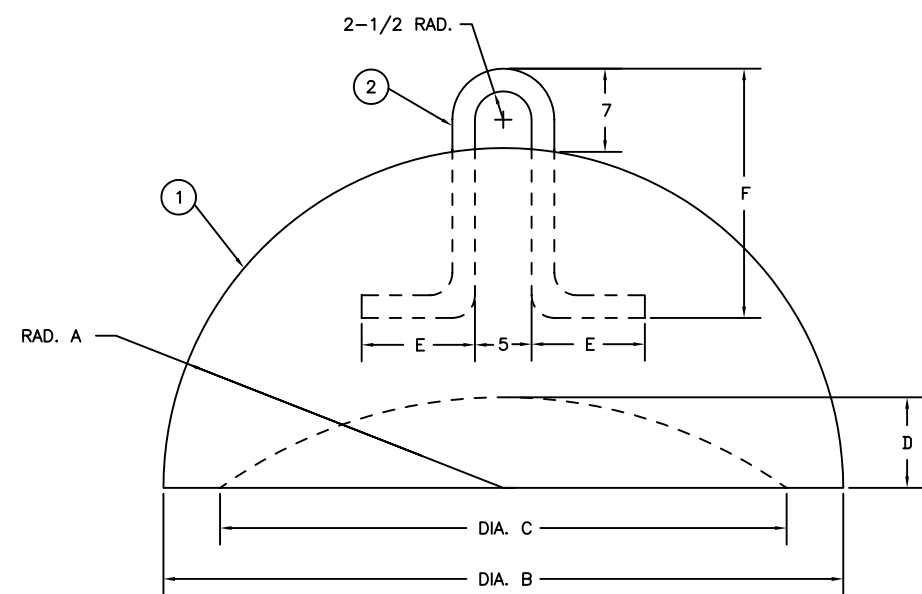
ITEM NO.	NO. REQ.	DESCRIPTION	MATL.	REMARKS
1	1	SINKER BODY	CAST IRON	ASTM A48
2	1	SINKER BAIL	STEEL	ASTM A36

NOTES:

- ALL DIMENSIONS ARE IN INCHES.
- SEE CIVIL ENGINEERING SPECIFICATION NO. 429A FOR FABRICATION REQUIREMENTS.
- WEIGHT TOLERANCE: NOMINAL WEIGHT PLUS 8%, MINUS 0.
- DIMENSIONAL TOLERANCES:
 SINKER BODY (FOR 500 LB - 3000 LB NOM WT) PLUS 1/4, MINUS 0.
 SINKER BODY (FOR 4000LB - 12,500 LB NOM WT) PLUS 1/2, MINUS 0.
 SINKER BAIL PLUS OR MINUS 1/8
 SINKER BAIL DIAMETER PLUS OR MINUS 1/32
- THIS DRAWING SUPERCEDES CIVIL ENGINEERING DRAWING 121095.



TOP VIEW



FRONT VIEW

NOMINAL WEIGHT (LBS.)	DIMENSIONS (INCHES)						
	A	B	C	D	E	F	G
12,500	30	60	50	8	10	22	2
8,500	26-1/2	53	46	7	10	22	2
6,500	24	48	40	6	8	22	2
5,000	22	44	38	5	7	21	2
4,000	20-1/2	41	36	5	6	19	2
3,000	18-1/2	37	32	4	5	18	2
2,000	16	32	26	3	4	17	1-1/2
1,000	13	26	22	3	3	15	1-1/2
500	10	20	16	2	2-1/2	14	1-1/2

A	11/16/98	SW	REDRAWN USING AUTOCAD	S.M.
REV.	DATE	APPR.	DESCRIPTION	BY
DESIGNED: W.D.			U.S. COAST GUARD	HEADQUARTERS
DRAWN: W.D.			CIVIL ENGINEERING	
TRACED:			CAST IRON BUOY SINKER	
CHECKED:				
REVIEWED BY:				
W. Dangle				
PROJ. ENGINEER				
REVIEWED BY:				
E. S. Walker				
G-ECV-3B				
REVIEWED BY:			APPROVED: James D. Garrison	DATE: 2 JUN 89
			CHIEF OF OCEAN ENGINEERING BRANCH	
UNLESS OTHERWISE SPECIFIED: ALL DIMENSIONS ARE IN INCHES. TOLERANCES: DIM. ± 1/8 ANG. ± 1°			DRAWING NUMBER 121136	REV. A
PLOTING SCALE: 12"=1'-0"			SCALE: NONE	SHEET 1 OF 1