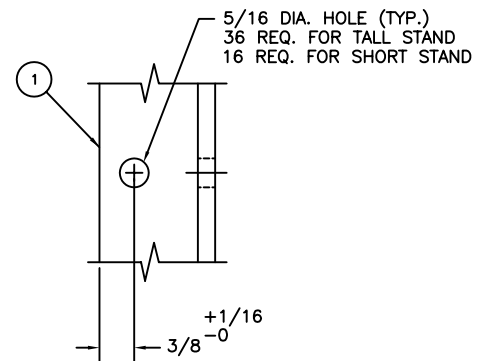
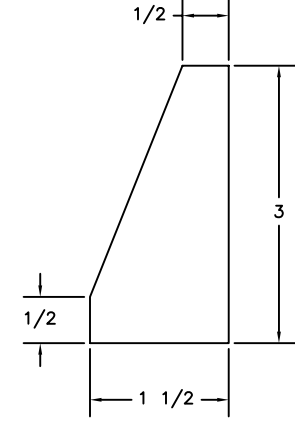


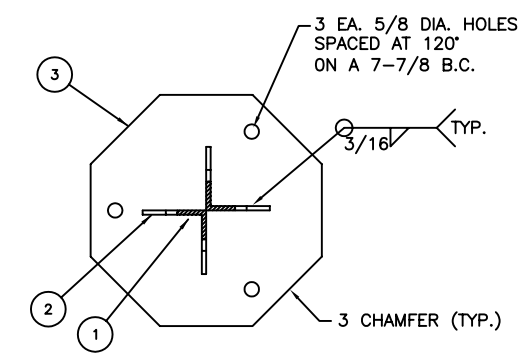
TALL STAND
(SHOWING ISOLATED DANGER CONFIGURATION)
SCALE: 3"=1'-0"



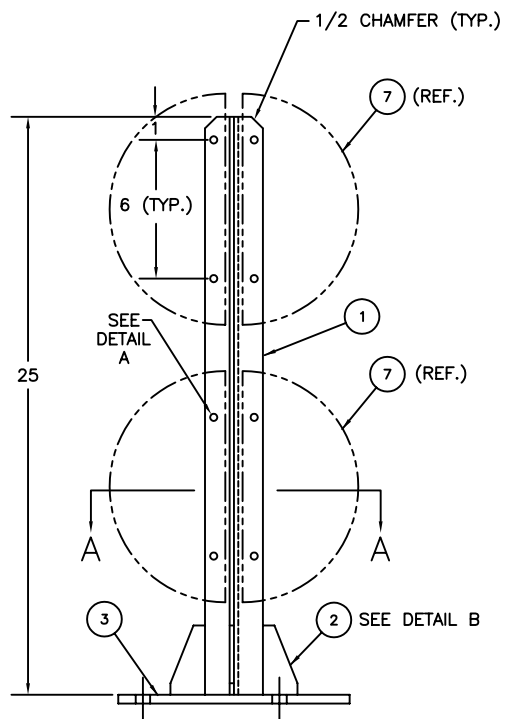
DETAIL A
SCALE: FULL



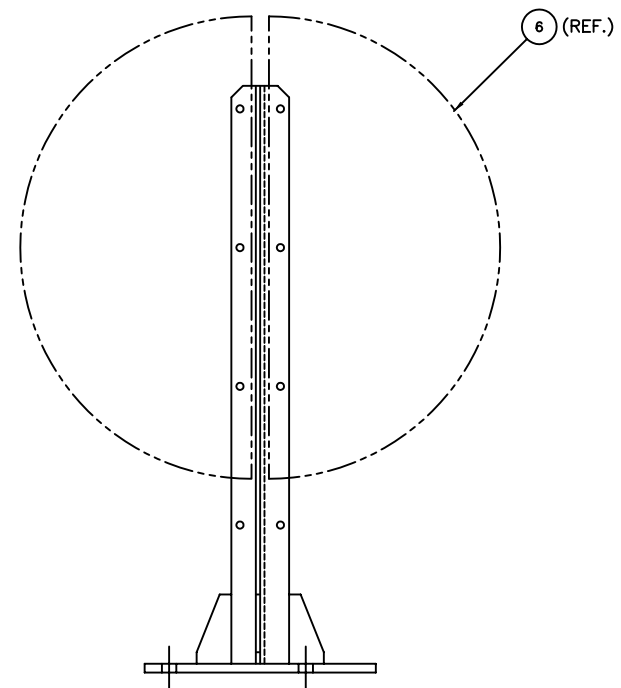
DETAIL B
SCALE: FULL



SECTION A-A
SCALE: 3"=1'-0"



SHORT STAND
(SHOWING ISOLATED DANGER CONFIGURATION)
SCALE: 3"=1'-0"



SHORT STAND
(SHOWING SAFEWATER CONFIGURATION)
SCALE: 3"=1'-0"

BILL OF MATERIALS				
ITEM NO.	NO. REQ.	DESCRIPTION	MATL.	REMARKS
1	2	SUPPORT ANGLE	ALUM.	1-1/4 x 1-1/4 x 3/16 THK.
2	4	GUSSET	ALUM.	3/16 THK.
3	1	BASE PLATE	ALUM.	10 SQ. x 3/8 THK.
4	-	HEX HEAD CAP SCREW	STAIN. STEEL	1/4-20UNC x 1-1/4 SEE NOTE 2
5	-	HEX NUT	STAIN. STEEL	1/4-20UNC SEE NOTE 2
6	-	10" BI-PLANE DISK	-	SEE NOTE 3
7	-	5" BI-PLANE DISK	-	SEE NOTE 3
8	-	FLAT ROUND WASHER	STAIN. STEEL	1/20 THK., 9/32 I.S., 5/8 O.D. SEE NOTE 2

NOTES:

- SEE LATEST REVISION OF U.S.C.G CIVIL ENGINEERING SPECIFICATION No. 499 FOR FABRICATION REQUIREMENTS.
- TALL STAND REQUIRES 24 CAP SCREWS, WASHERS, AND HEX NUTS. SHORT STAND REQUIRES 16 CAP SCREWS, WASHERS, AND HEX NUTS.
- ITEMS 6 AND 7 ARE SHOWN FOR REFERENCE PURPOSES ONLY. SEE CIVIL ENGINEERING DRAWING 121144 FOR BI-PLANE DISK DETAILS.

REV.	DATE	APPR.	DESCRIPTION	BY
D	8-30-01	W.D.	INCREASED THE SIZE OF ITEM 4. ADDED ITEM 8.	K.W.
C	12-7-99	W.D.	REORGANIZED THE DWG. MODIFIED NOTES.	S.M.
B	5-9-94	S.W.	MODIFIED BILL OF MATERIALS AND NOTES.	S.M.
A	3-27-91	S.W.	MODIFIED ITEM 3.	S.M.
DESIGNED: R.B.		U.S. COAST GUARD HEADQUARTERS		
DRAWN: S.M.		OCEAN ENGINEERING		
TRACED:				
CHECKED:		UNIVERSAL		
REVIEWED BY:				
R. Boy		TOPMARK STAND		
CH. B & S SEC.				
REVIEWED BY:		APPROVED:		
S. D. Walker		R. J. Wells		DATE
CH. SIG. BR.		CHIEF OF DIVISION		11/30/90
UNLESS OTHERWISE SPECIFIED: ALL DIMENSIONS ARE IN INCHES. TOLERANCES: DIM. ±1/8 ANG. ±1°				DRAWING NUMBER
				121138
				REV. D
SCALE: AS NOTED				SHEET 1 OF 1