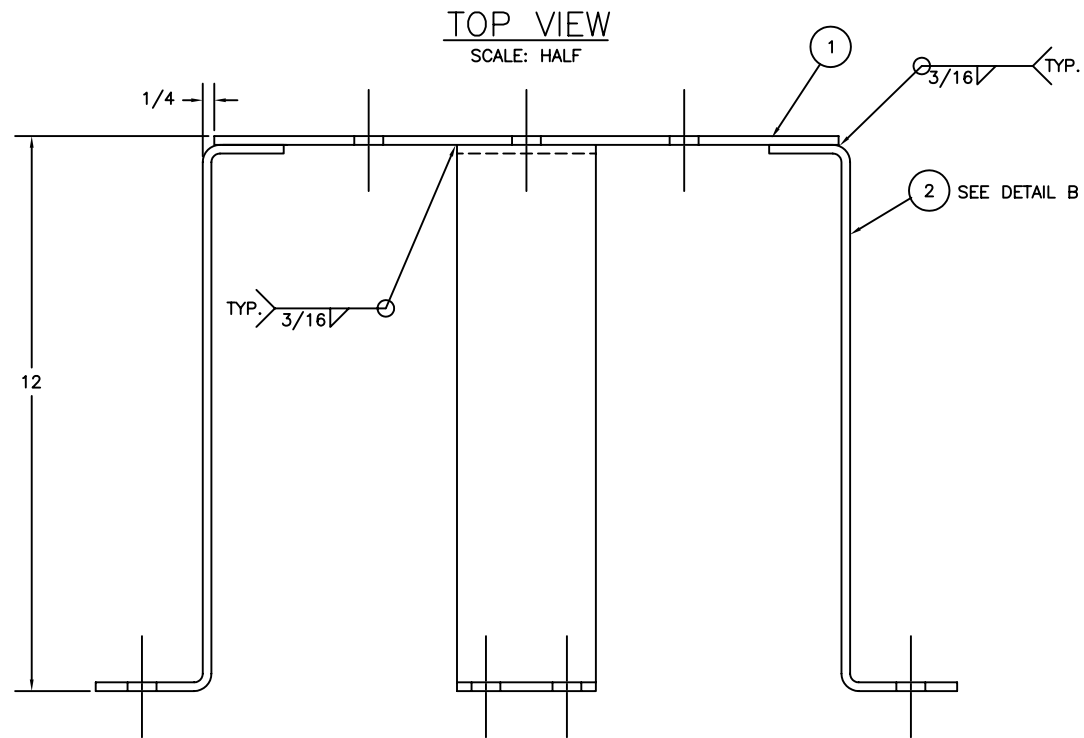
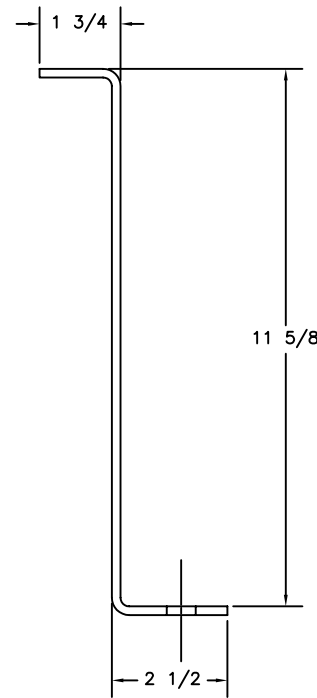


② DETAIL A  
SCALE: HALF



SIDE VIEW  
SCALE: HALF



② DETAIL B  
SCALE: HALF

BILL OF MATERIALS				
ITEM NO.	NO. REQ.	DESCRIPTION	MATL.	REMARKS
1	1	SUPPORT PLATE	GALV. STEEL	13-1/2 SQ. x 3/16 THK.
2	4	SUPPORT LEGS	GALV. STEEL	3 WD. x 3/16 THK.

REV.	DATE	APPR.	DESCRIPTION	BY
A	7-29-99	S.W.	REORGANIZED DRAWING	S.M.
DESIGNED: S.M.			U.S. COAST GUARD HEADQUARTERS	
DRAWN: S.M.			CIVIL ENGINEERING	
TRACED:			TOPMARK SUPPORT FLANGE FOR UNLIGHTED BUOYS	
CHECKED:				
REVIEWED BY:				
S. McEvoy PROJECT ENGINEER				
REVIEWED BY:				
S. D. Walker G-ECV-3B				
REVIEWED BY:				
APPROVED:			DATE	
R. J. Wells CHIEF OF OCEAN ENGINEERING BRANCH			6/3/90	
UNLESS OTHERWISE SPECIFIED: ALL DIMENSIONS ARE IN INCHES. TOLERANCES: DIM. ±1/8 ANG. ±1°			DRAWING NUMBER	
			121141	
			REV. A	
			SCALE: AS NOTED SHEET 1 OF 1	