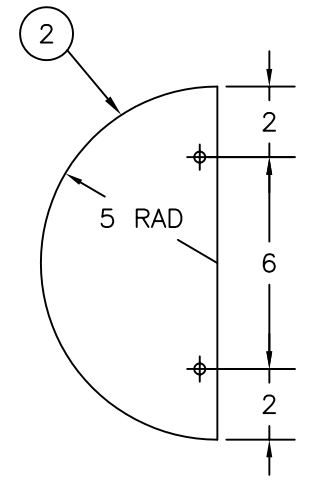
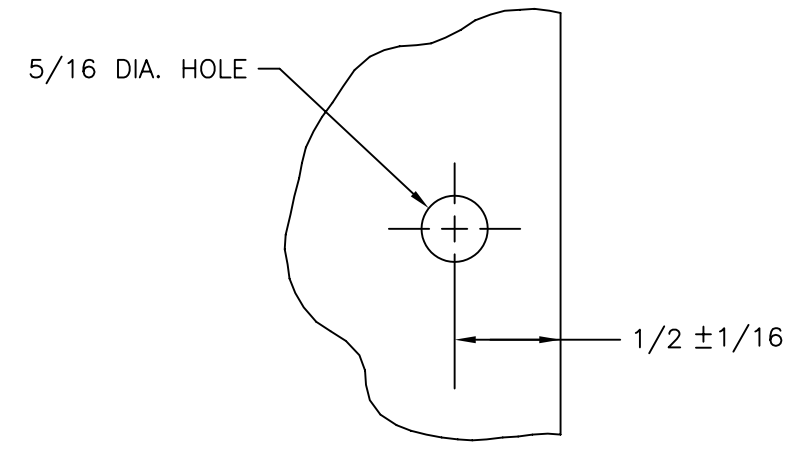


① FRONT VIEW



② FRONT VIEW



DETAIL A

BILL OF MATERIALS

ITEM NO.	NO. REQ.	DESCRIPTION	MATL.	REMARKS
1	-	10" RADIUS BI-PLANE DISK	PLYWOOD	1/2 INCH THICK SEE NOTES 2, 3, & 4
2	-	5" RADIUS BI-PLANE DISK	PLYWOOD	1/2 INCH THICK SEE NOTES 2, 3, & 4

NOTES:

1. THE DISKS ARE MOUNTED ON AN ALUMINUM TOPMARK STAND. REFERENCE CIVIL ENGINEERING DRAWING 121138 FOR DETAILS OF THE STAND.
2. PLYWOOD SHALL BE EITHER MEDIUM DENSITY OVERLAY (MDO) OR HIGH DENSITY OVERLAY (HDO).
3. PROVIDE IN BLACK OR RED AS REQUIRED. SIGNAL COLOR CAN BE ACHIEVED BY APPLYING ELASTOMERIC FILM (PRESSURE SENSITIVE OR HEAT ACTIVATED ADHESIVES ARE ACCEPTABLE) OR PAINTING. IF ELASTOMERIC FILM IS USED, THE EDGES SHALL BE COATED WITH A SEALANT TO PREVENT MOISTURE INTRUSION.
4. EIGHT 10" BLACK BI-PLANE DISKS ARE REQUIRED FOR THE TALL STAND. EIGHT 5" BLACK OR FOUR 10" RED BI-PLANE DISKS ARE REQUIRED FOR THE SHORT STAND.

D	9-03 -01	W.D.	CHANGED MATERIAL AND THICKNESS OF ITEMS 1 AND 2.	K.W.
C	8-3 -99	S.W.	CHANGED STOCK NUMBERS IN BILL OF MATERIALS.	S.M.
B	4-22 -96	S.W.	CHANGED MATERIAL. DELETED ITEM 4 AND NOTE 2.	S.M.
A	1-22 -93	S.W.	MODIFIED STOCK NUMBERS IN BILL OF MATERIALS.	S.M.

REV.	DATE	APPR.	DESCRIPTION	BY
DESIGNED: R.B.		U.S. COAST GUARD HEADQUARTERS		
DRAWN: S.M.		CIVIL ENGINEERING		
TRACED:		BI-PLANE TOPMARK DISK		
CHECKED:				
REVIEWED BY:				
S. McEvoy				
PROJECT ENGINEER				
REVIEWED BY:				
S. D. Walker				
G-ECV-3B				
REVIEWED BY:		APPROVED:	DATE	
		R. J. Wells	6 JAN 91	
		CHIEF OF OCEAN ENGINEERING BRANCH		

UNLESS OTHERWISE SPECIFIED: ALL DIMENSIONS ARE IN INCHES. TOLERANCES: DIM. ±1/8 ANG.	DRAWING NUMBER		REV.
	121144		D
	SCALE: NONE	SHEET 1 OF 1	