

**BILL OF MATERIALS**

ITEM NO.	NO. REQ.	DESCRIPTION	MATL.	REMARKS
1	1	BUOY BODY	FOAM	4 PCF SEE NOTES 1 & 2
2	1	SOLAR PANEL FRAME	ALUM.	SEE NOTE 3
3	1	155mm LANTERN	PLASTIC	SEE NOTE 3
4	1	RADAR REFLECTOR	ALUM.	SEE NOTE 5
5	4	HEX HEAD BOLT	STAIN. STEEL	3/4-10 UNC-2A x 2-1/4 LG.
6	4	NYLOCK NUT	STAIN. STEEL	3/4-10 UNC-2B
7	4	WASHER	NYLON	.812 x 1-3/4 O.D.
8	1	R/R SUPPORT DISK	STEEL	11-1/4 DIA. x 1/4 THK.
9	1	R/R GASKET	RUBBER	11-1/4 DIA. x 1/16 THK.
10	1	R/R SUPPORT PLATE	STEEL	3/8 THK.
11	4	R/R TOWER ANGLE	STEEL	2 x 2 x 1/4 L
12	1	BATTERY BOX	STEEL	SEE DRAWING 121100
13	1	BATT. BOX SUPPORT FLANGE	STEEL	12 DIA. x 1/2 THK.
14	1	BATT. BOX SUPPORT PIPE	STEEL	6 SCH. 40 PIPE
15	1	CENTER PLATE	STEEL	3/8 THK.
16	2	LIFT EYE	STEEL	8x4x3/4 L
17	4	THREADED RODS	STAIN. STEEL	1-8 UNC-2A x 28-1/2 LG.
18	4	HEAVY HEX HEAD NUT	STAIN. STEEL	1-8 UNC-2B
19	4	ANGLE FRAME	STEEL	3-1/2 x 3-1/2 x 1/4 L
20	1	MOORING PIPE	STEEL	6 SCH. 40 PIPE x 37 LG.
21	4	GUSSETS	STEEL	6 x 6 x 1/4 THK.
22	1	MOORING EYE	STEEL	1-1/2 THK. PLATE
23	4	SUPPORT LEGS	STEEL	3-1/2 x 3-1/2 x 16-3/4 LG. SOLID STL
24	4	BALLAST STAND	STEEL	3-1/2 x 3-1/2 SOLID STEEL
25				
26	4	BALLAST SUPPORT PLATES	STEEL	8 x 8-5/8 x 1/2
27	4	HEAVY WASHERS	STAIN. STEEL	1 NOMINAL
28	4	WEAR PLATES	STAIN. STEEL	3x3x1/4 SEE NOTE 2
29	2	TUBE SEAL PLATES	STEEL	1/4 THK.
30	4	NYLOCK NUT	STAIN. STEEL	1-8 UNC-2B

**NOTES:**

- SEE LATEST REVISION OF U.S.C.G. CIVIL ENGINEERING SPECIFICATION No. 450 FOR FABRICATION REQUIREMENTS. DIMENSIONAL TOLERANCES FOR ITEM 1 ARE ±1 FOR THE DIAMETER AND ±1/4 FOR THE HEIGHT.
- DO NOT WELD PART 28 TO PARTS 17 OR 19
- ITEMS 2 AND 3 WILL BE PROVIDED BY THE COAST GUARD.
- TACK WELD ITEM 18 TO ITEM 17.
- FOR ITEM 4 USE U.S.C.G. CIVIL ENGINEERING DRAWING 120316 FOR THE LNFR AND DRAWING 121024 FOR THE LCFR.

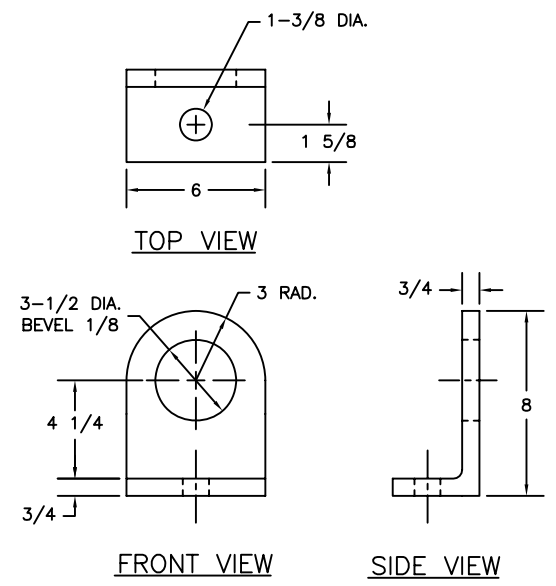
REV.	DATE	APPR.	DESCRIPTION	BY
E	5-15-97	SW	CHANGED ITEM 1 FROM 3PCF TO 4 PCF.	S.M.
D	1-5-99	SW	MOD QTY OF ITEM 18. ADDED ITEM 30. DEL ITEM 25 AND NOTES 4 & 5. REORGANIZED THE DWG.	S.M.
C	1-22-97	SW	ADDED PAGE 3. MODIFIED ITEMS 8, 13, 16, 17, 22, & 24. ADDED DETAIL F.	C.B.
B	9-11-95	SM	MODIFIED ITEMS 6, 16, 17, 18, 19, 22, 23, 24, , AND NOTE 2. ADDED ITEMS 26, 27, 28, 29.	D.B.
A	3-17-93	WD	MODIFIED ITEMS 10, 11, 12, 14, 19, 23, 24, AND NOTES 1, 2, & 4. ADDED NOTE 7. DELETED ITEM 26.	S.M.

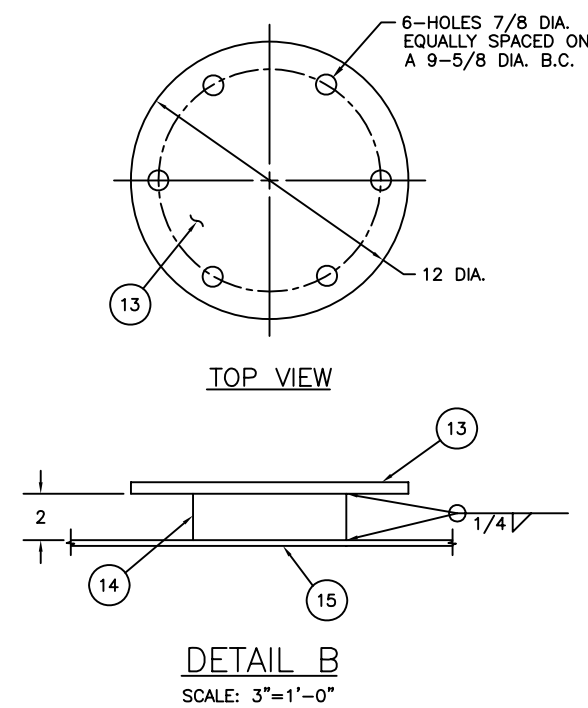
DESIGNED: S.M.	U.S. COAST GUARD	HEADQUARTERS
DRAWN: S.M.	CIVIL ENGINEERING	
TRACED:	1991 TYPE	
CHECKED: S.M.	5x9 LNFR/LCFR	
REVIEWED BY:	BUOY	
Sean McEvoy PROJECT ENGINEER	APPROVED:	R. J. Wells
Stan Walker G-ECV-3B	DATE	8/14/91
REVIEWED BY:	CHIEF OF OCEAN ENGINEERING BRANCH	

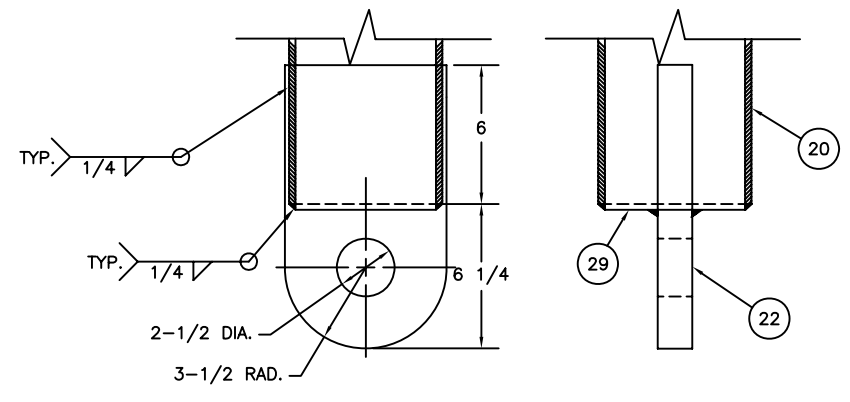
UNLESS OTHERWISE SPECIFIED: ALL DIMENSIONS ARE IN INCHES. TOLERANCES: DIM. ±1/8 ANG. ±1°	DRAWING NUMBER 121148	REV. E
SCALE: AS NOTED	SHEET 1 OF 3	



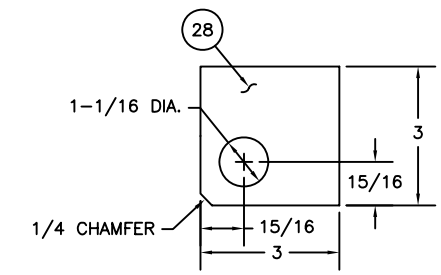
**DETAIL A**  
SCALE: 3"=1'-0"



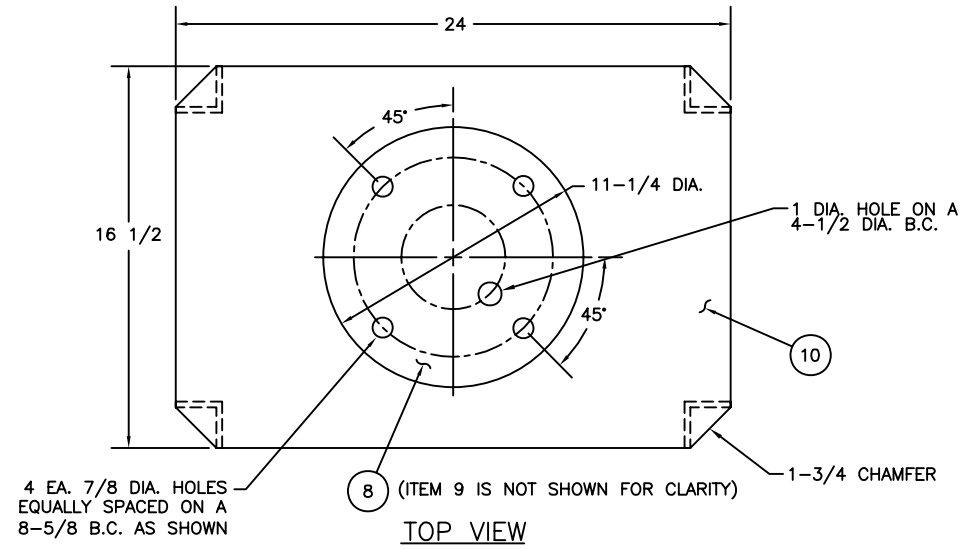
**DETAIL B**  
SCALE: 3"=1'-0"



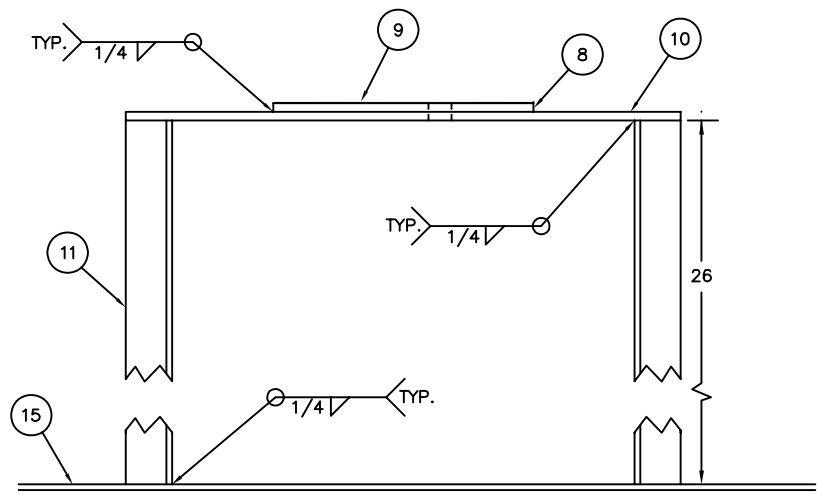
**DETAIL C**  
SCALE: 3"=1'-0"



**DETAIL E**  
SCALE: HALF



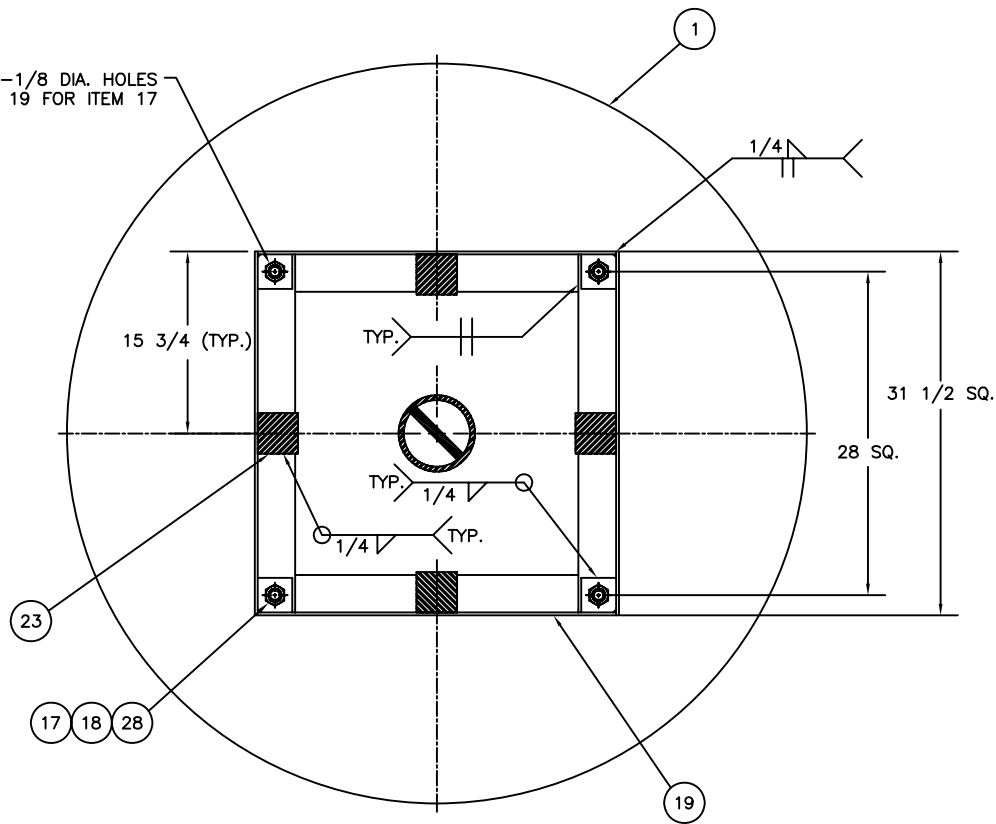
**DETAIL D**  
SCALE: 3"=1'-0"



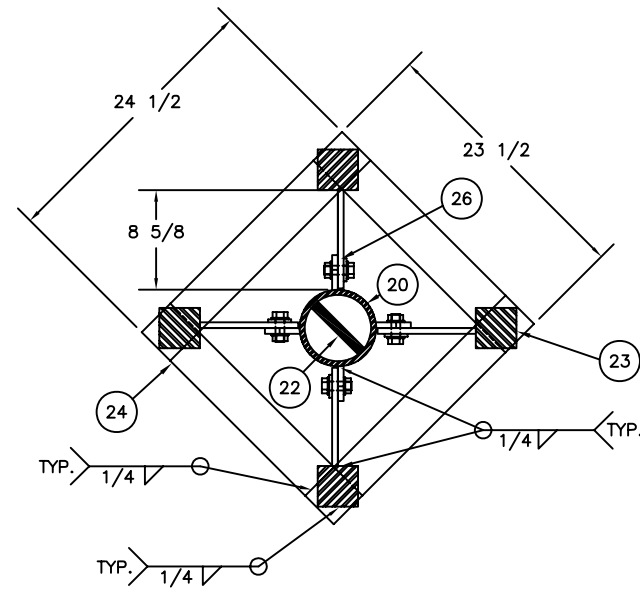
**DETAIL D**  
SCALE: 3"=1'-0"

REV.	DATE	APPR.	DESCRIPTION	BY
E	5-15-07	SW	CHANGED ITEM 1 FROM 3PCF TO 4 PCF.	S.M.
D	1-5-99	SW	MOD QTY OF ITEM 18. ADDED ITEM 30. DEL ITEM 25 AND NOTES 4 & 5. REORGANIZED THE DWG.	S.M.
C	1-22-97	SW	ADDED PAGE 3. MODIFIED ITEMS 8, 13, 16, 17, 22, & 24. ADDED DETAIL F.	C.B.
B	9-11-95	SM	MODIFIED ITEMS 6, 16, 17, 18, 19, 22, 23, 24, AND NOTE 2. ADDED ITEMS 26, 27, 28, 29.	D.B.
A	3-17-93	WD	MODIFIED ITEMS 10, 11, 12, 14, 19, 23, 24, AND NOTES 1, 2, & 4. ADDED NOTE 7. DELETED ITEM 26.	S.M.
DESIGNED: S.M.			U.S. COAST GUARD	HEADQUARTERS
DRAWN: S.M.			CIVIL ENGINEERING	
TRACED:			1991 TYPE	
CHECKED: S.M.			5x9 LNFR/LCFR	
REVIEWED BY:			BUOY	
Sean McEvoy PROJECT ENGINEER			APPROVED: R. J. Wells	
Stan Walker G-ECV-3B			DATE: 8/14/91	
REVIEWED BY:			CHIEF OF OCEAN ENGINEERING BRANCH	
UNLESS OTHERWISE SPECIFIED: ALL DIMENSIONS ARE IN INCHES. TOLERANCES: DIM. ±1/8 ANG. ±1°			DRAWING NUMBER 121148	
			REV. E	
			SCALE: AS NOTED SHEET 2 OF 3	

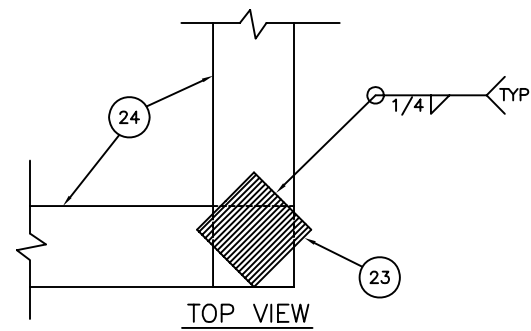
4 EA. 1-1/8 DIA. HOLES  
IN ITEM 19 FOR ITEM 17



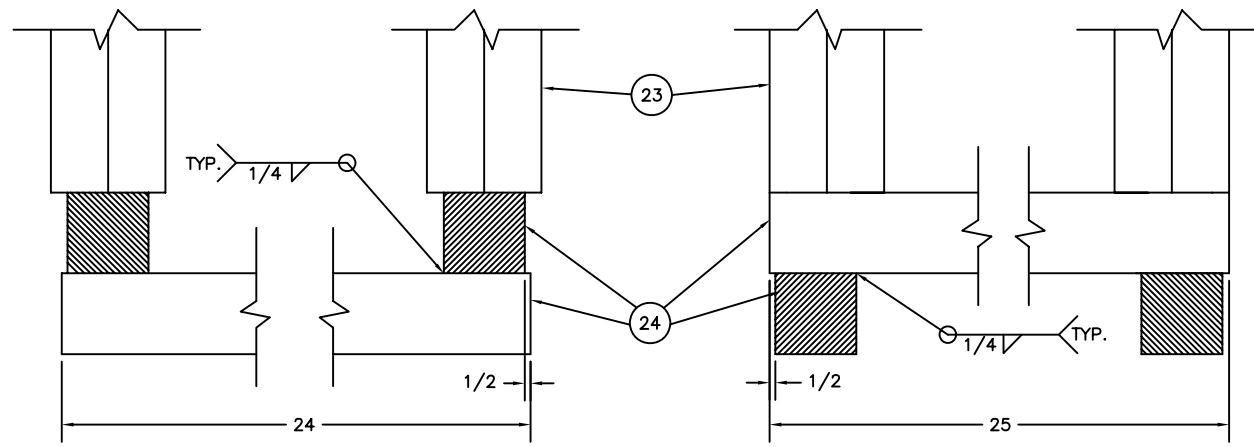
SECTION C-C  
SCALE: 1-1/2"=1'-0"



SECTION D-D  
SCALE: 1-1/2"=1'-0"



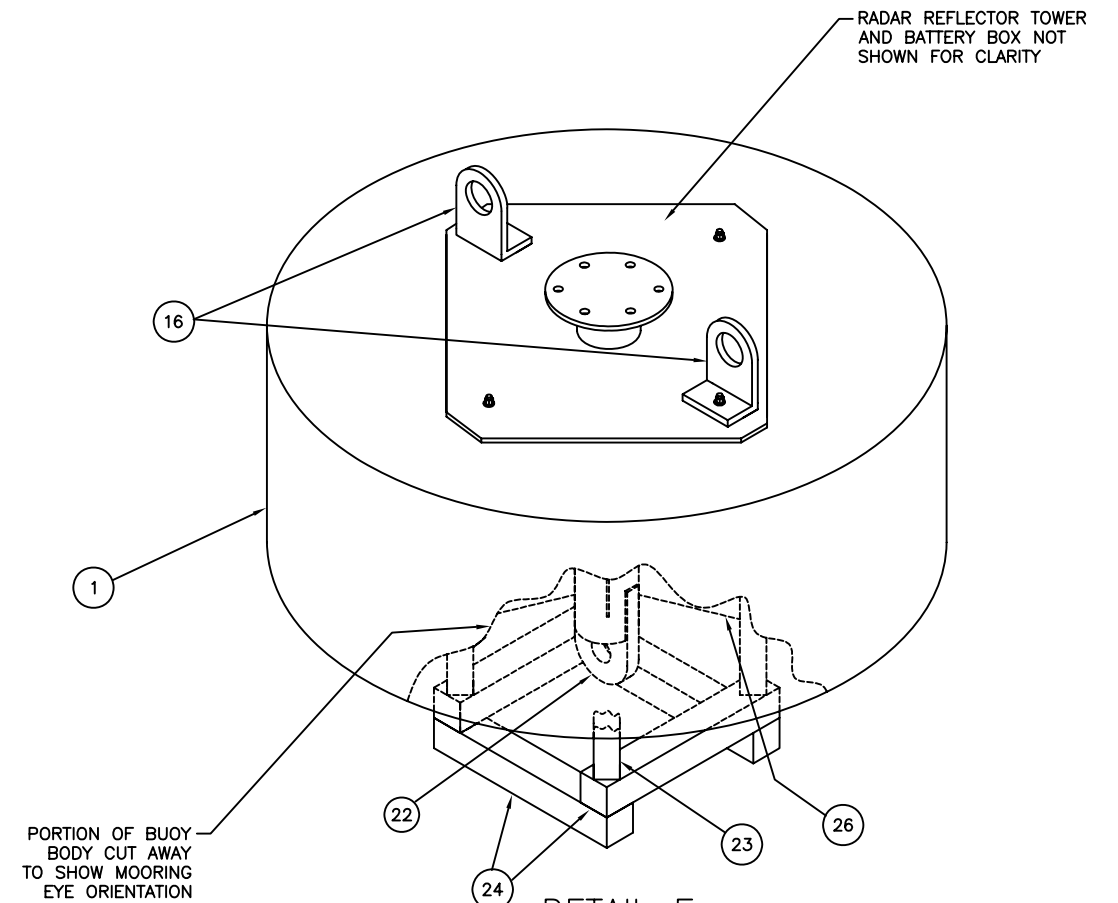
TOP VIEW



FRONT VIEW

SIDE VIEW

DETAIL G  
SCALE: 3"=1'-0"



DETAIL F  
MOORING EYE ORIENTATION  
ISOMETRIC VIEW NOT TO SCALE

REV.	DATE	APPR.	DESCRIPTION	BY
E	5-15-07	SW	CHANGED ITEM 1 FROM 3PCF TO 4 PCF.	S.M.
D	1-5-99	SW	MOD QTY OF ITEM 18. ADDED ITEM 30. DEL ITEM 25 AND NOTES 4 & 5. REORGANIZED THE DWG.	S.M.
C	1-22-97	SW	ADDED PAGE 3. MODIFIED ITEMS 8, 13, 16, 17, 22, & 24. ADDED DETAIL F.	C.B.
B	9-11-95	SM	MODIFIED ITEMS 6, 16, 17, 18, 19, 22, 23, 24, , AND NOTE 2. ADDED ITEMS 26, 27, 28, 29.	D.B.
A	3-17-93	WD	MODIFIED ITEMS 10, 11, 12, 14, 19, 23, 24, AND NOTES 1, 2, & 4. ADDED NOTE 7. DELETED ITEM 26.	S.M.

DESIGNED: S.M.	U.S. COAST GUARD	HEADQUARTERS
DRAWN: S.M.	CIVIL ENGINEERING	
TRACED:	1991 TYPE	
CHECKED: S.M.	5x9 LNFR/LCFR	
REVIEWED BY:	BUOY	
Sean McEvoy PROJECT ENGINEER	APPROVED:	DATE
Stan Walker G-ECV-38	R. J. Wells	8/14/91
REVIEWED BY:	CHIEF OF OCEAN ENGINEERING BRANCH	

UNLESS OTHERWISE SPECIFIED: ALL DIMENSIONS ARE IN INCHES. TOLERANCES: DIM. ±1/8 ANG. ±1°	DRAWING NUMBER 121148	REV. E
SCALE: AS NOTED	SHEET 3	OF 3