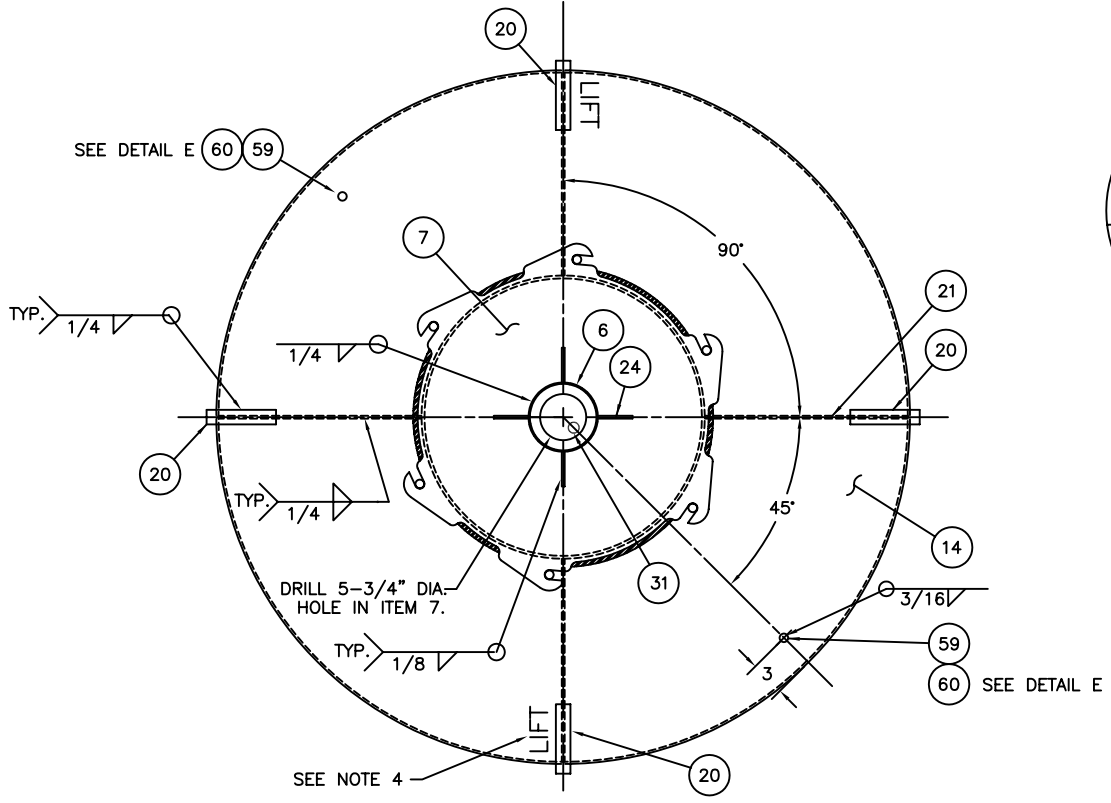
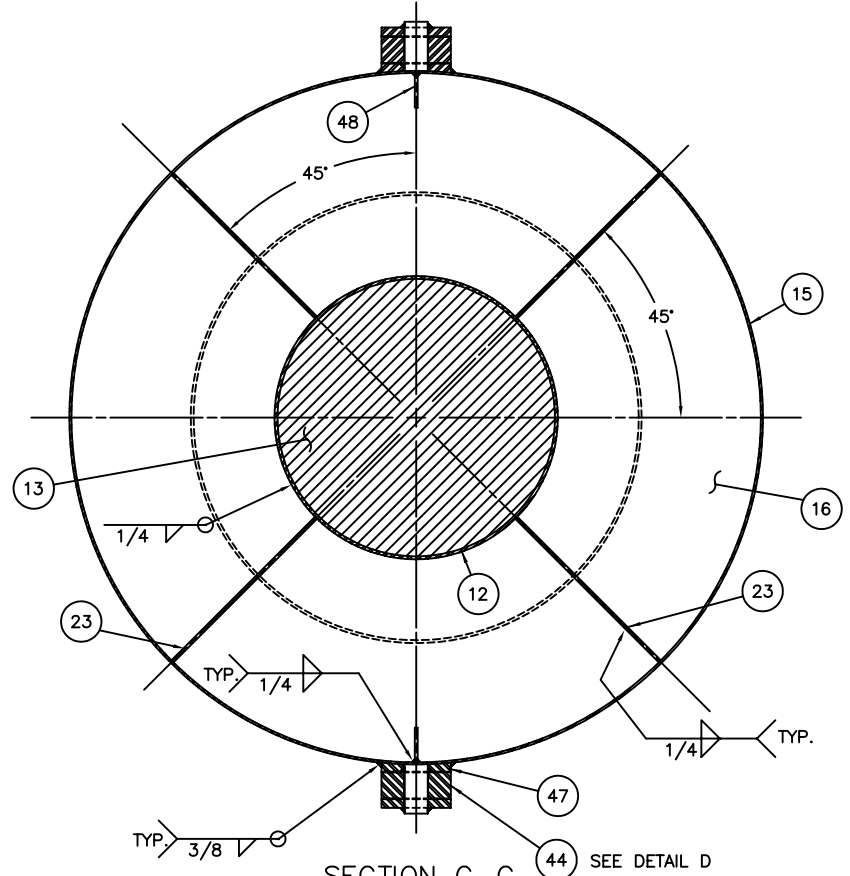


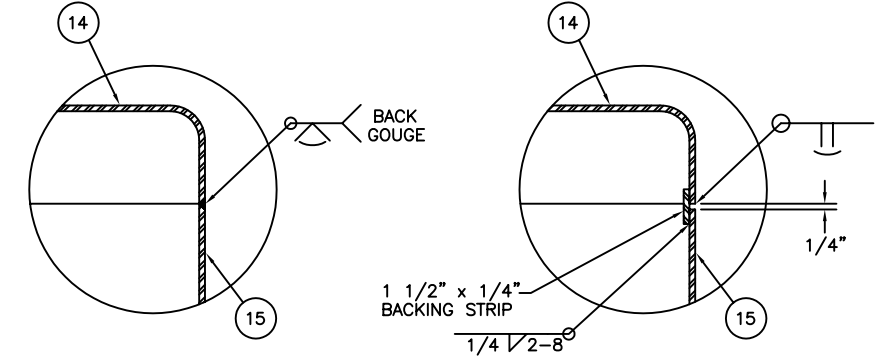
5x11 LR ASSEMBLY
SCALE: 1-1/2"=1'-0"



SECTION B-B
SCALE: 1-1/2"=1'-0"

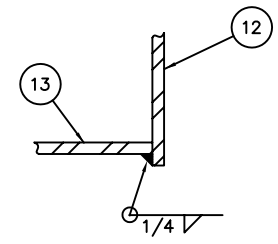


SECTION C-C
SCALE: 1-1/2"=1'-0"



DETAIL A
SCALE: NONE

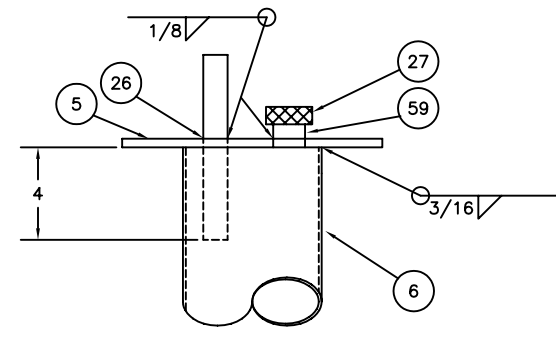
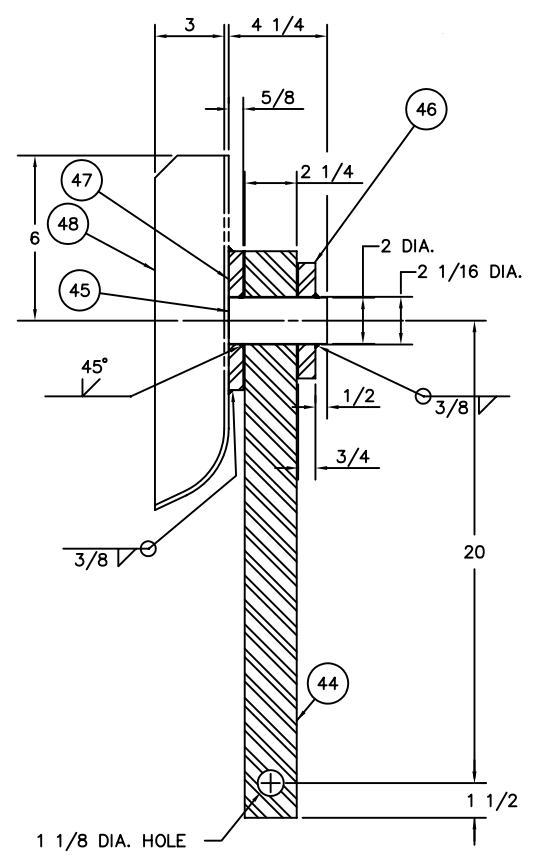
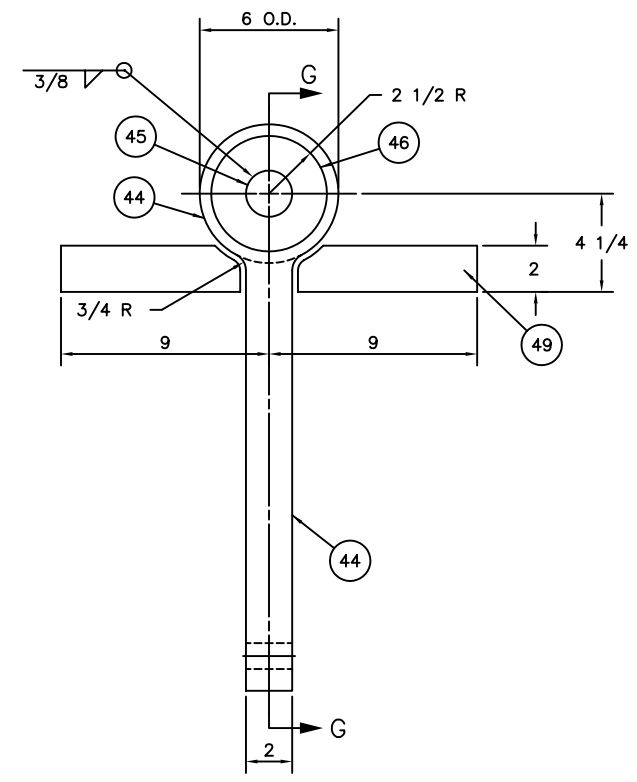
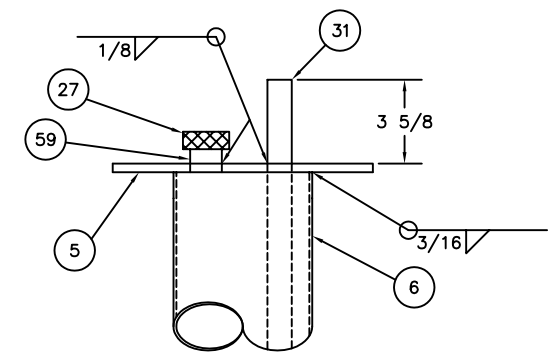
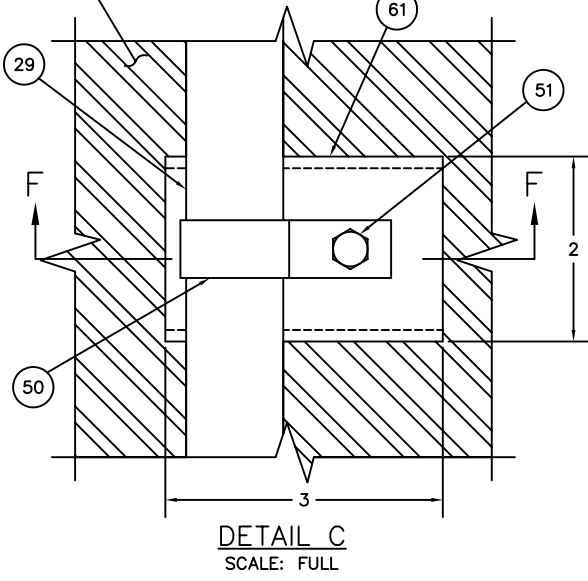
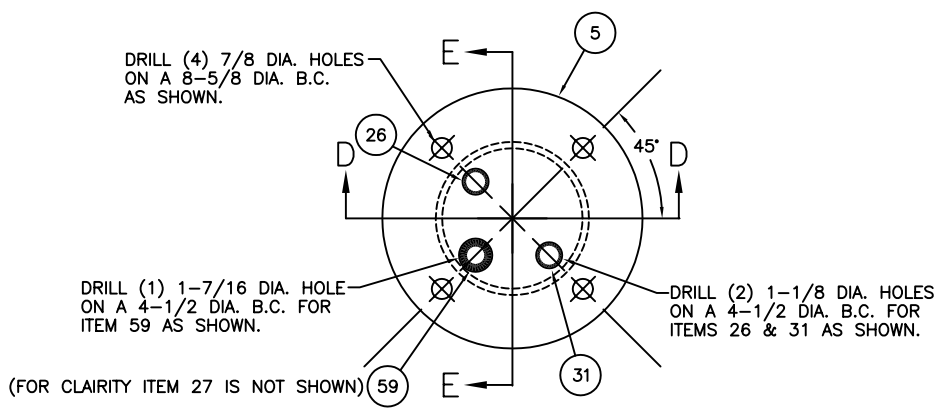
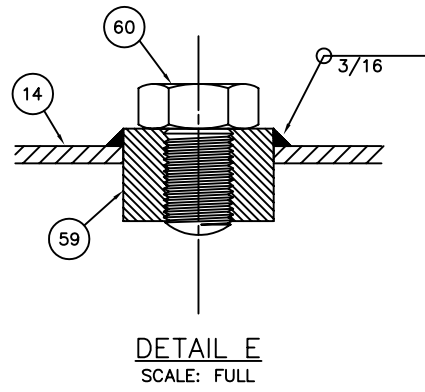
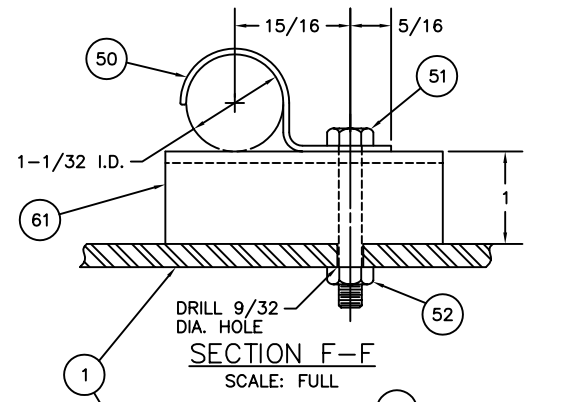
DETAIL A
SCALE: NONE
OPTIONAL



DETAIL B
SCALE: 3"=1'-0"

REV.	DATE	APPR.	DESCRIPTION	BY
E	6-4-99	S.W.	ADDED ADDITIONAL AIR TEST FITTING (ITEMS 59 & 60).	S.M.
D	6-6-95	SW	REORGANIZED DRAWING. ADDED SHEET 3, ADDITIONAL LIFT EYE (ITEM 20), AND NOTE 4.	S.M.
C	12-15-94	SW	MODIFIED DIMENSION FOR ITEM 19.	S.M.
B	10-31-94	SW	MOD. ITEMS 59 & 60. ADDED DETAIL E.	S.M.
A	3-26-93	CAK	REORGANIZED DRAWING. DELETED ITEMS 2, 3, 4, 8, 9, 10, 25, 30, 36-39, & 55-57. ADDED ITEMS 61 & 62. MOD. NOTES	S.M.

DESIGNED BY:	U.S. COAST GUARD	HEADQUARTERS
DRAWN BY:	SM	
TRACED BY:		
CHECKED BY:		
REVIEWED BY:		
REVIEWED BY:	R. M. Trainer	PROJECT ENGINEER
REVIEWED BY:	S. D. Walker	G-ECV-3B
REVIEWED BY:		
APPROVED:	S. F. Trenchard	DATE: 5/20/92
UNLESS OTHERWISE SPECIFIED: ALL DIMENSIONS ARE IN INCHES. TOLERANCES: DIM. ±1/8 ANG. ±1°		DRAWING NUMBER: 121158
SCALE: AS NOTED		SHEET 1 OF 3



REV.	DATE	APPR.	DESCRIPTION	BY
E	6-4-99	S.W.	ADDED ADDITIONAL AIR TEST FITTING (ITEMS 59 & 60).	S.M.
D	6-6-95	SW	REORGANIZED DRAWING, ADDED SHEET 3, ADDITIONAL LIFT EYE (ITEM 20), AND NOTE 4.	S.M.
C	12-15-94	SW	MODIFIED DIMENSION FOR ITEM 19.	S.M.
B	10-31-94	SW	MOD. ITEMS 59 & 60. ADDED DETAIL E.	S.M.
A	3-26-93	CAK	REORGANIZED DRAWING. DELETED ITEMS 2, 3, 4, 8, 9, 10, 25, 30, 36-39, & 55-57. ADDED ITEMS 61 & 62. MOD. NOTES	S.M.
DESIGNED:			U.S. COAST GUARD HEADQUARTERS	
DRAWN: SM			CIVIL ENGINEERING	
TRACED:			1992 TYPE	
CHECKED:			5x11 LR BUOY	
REVIEWED BY:			APPROVED: S. F. Trenchard	
PROJECT ENGINEER			DATE: 5/20/92	
REVIEWED BY:			CHIEF, OCEAN ENGINEERING BRANCH	
S. D. Walker			DRAWING NUMBER	
G-ECV-3B			121158	
REVIEWED BY:			SCALE: AS NOTED	
UNLESS OTHERWISE SPECIFIED: ALL DIMENSIONS ARE IN INCHES. TOLERANCES: DIM. ±1/8 ANG. ±1°			SHEET 2 OF 3	

PLOTTING SCALE: 1-1/2"=1'-0"

BILL OF MATERIALS

ITEM NO.	NO. REQ.	DESCRIPTION	MATL.	REMARKS
1	1	RADAR REFLECTOR	ALUM.	SEE NOTE 3
2				
3				
4				
5	1	RADAR REFLECTOR SUPPORT PL.	STAIN-STEEL	11-1/4 DIA. x 3/8 THK.
6	1	RADAR REF. SUPPORT STAND	STEEL	6 IPS PIPE SCH. 40
7	1	BATTERY POCKET COVER	STEEL	SEE DRAWING 121143
8				
9				
10				
11				
12	1	BATTERY POCKET WRAPPER	STEEL	1/4 THK.
13	1	BATTERY POCKET BOTTOM	STEEL	1/4 THK.
14	1	BUOY TOP HEAD	STEEL	1/4 THK.
15	1	BUOY BODY WRAPPER	STEEL	3/16 THK.
16	1	BUOY BOTTOM HEAD	STEEL	1/4 THK.
17	1	COUNTERWEIGHT TUBE	STEEL	1/4 THK.
18	1	COUNTERWEIGHT	CAST IRON	SEE NOTE 2
19	2	COUNTERWEIGHT RING	STEEL	43 O.D. x 39 I.D. x 1/4 THK.
20	4	LIFTING EYE	STEEL	SEE DRAWING 121140
21	4	TOP HEAD STIFFENER	STEEL	1/4 THK.
22	1	WRAPPER STIFFENER	STEEL	2 x 2 x 1/4 L
23	4	BOTTOM HEAD STIFFENER	STEEL	1/4 THK.
24	4	COVER PIPE STIFFENER	STEEL	2 x 1/8 THK.
25				
26	1	NIPPLE	STAIN-STEEL	3/4 SCH 40 x 8 LG.
27	1	STUFFING TUBE, STRAIGHT	NYLON	3/4 IPS, STD. WT.
28	2	UNION	STAIN-STEEL	3/4 IPS, STD. WT.
29	2	VENT PIPE	STAIN-STEEL	3/4 IPS, SCH. 40
30				
31	1	VENT PIPE	STAIN-STEEL	3/4 IPS x 30 LG.
32	1	NIPPLE	STEEL	3/4 SCH 40 x 7 1/2 LG.
33	1	VENT HOSE	NYLON	1 I.D.
34	2	ELBOW, 90°	STEEL	3/4 NPT STD. WT.
35	1	HOSE CLAMP	STAIN-STEEL	
36				
37				
38				
39				
40	4	BOLT, HEX HD.	STAIN-STEEL	3/4-10 UNC x 2 LG
41	4	NUT, HEX. HD. ELASTIC STOP	STAIN-STEEL	3/4-10 UNC
42	4	WASHERS	ALUM.	1/8 x 1 3/4 O.D. .812 I.D.
43	1	RUBBER GROMMET	RUBBER	FOR 1 DIA. HOLE
44	2	MOORING ARM	STEEL	2 1/4 THK.
45	2	MOORING ARM PIN	STEEL	2 DIA. x 4 1/4 LG.
46	2	MOORING ARM RETAINER	STEEL	5 O.D. x 2 1/16 I.D. x 3/4 THK.
47	2	MOORING ARM DOUBLER PLATE	STEEL	6 O.D. x 2 1/16 I.D. x 5/8 THK.
48	2	MORRING ARM STIFFENER	STEEL	3 x 1/4 x 12 LG.
49	4	CHAFING STRIP	STEEL	2 x 1/2 x 8 LG.
50	2	CLIP, VENT PIPE	STAIN-STEEL	1/16 x 5/8 STRIP
51	2	CAP SCREW, HEX HD.	STAIN-STEEL	1/4-20 UNC x 1-3/4 LG.
52	2	NUT, HEX HD.	STAIN-STEEL	1/4-20 UNC

BILL OF MATERIALS

ITEM NO.	NO. REQ.	DESCRIPTION	MATL.	REMARKS
53				
54				
55				
56				
57				
58	1	GASKET	RUBBER	11-1/4 DIA. x 1/16 THK.
59	3	HALF COUPLING	STAIN-STEEL	3/4 NPT
60	2	PIPE PLUG	STAIN-STEEL	3/4 NPT
61	2	VENT LINE SUPPORT	ALUM.	2 x 1 x 1/8 C
62	1	STREET ELBOW	STEEL	3/4 IPS, STD. WT.

NOTES:

- SEE LATEST REVISION OF U.S.C.G. CIVIL ENGINEERING SPECIFICATION No. 464 FOR FABRICATION REQUIREMENTS.
- ITEM 18 SHALL WEIGH 1,115 LBS. (+5% OR -1%). PLACED FOUR WEDGES EQUALLY SPACED BETWEEN ITEM 17 & 18 AND FILL VOID WITH ASPHALT ENAMEL.
- FOR GREEN CAN (LCR) BUOYS, FABRICATE RADAR REFLECTOR AS SHOWN IN DRAWING 121024. FOR RED NUN (LNR) BUOYS, FABRICATE RADAR REFLECTORS AS SHOWN IN DRAWING 120316.
- WELD THE WORD "LIFT" NEXT TO THE LIFTING EYES (ITEM 20) DIRECTLY ABOVE THE MOORING ARMS. THE WELD BEAD CHARACTERS SHALL BE A MINIMUM OF 1-1/2" IN HEIGHT.

E	6-4-99	S.W.	ADDED ADDITIONAL AIR TEST FITTING (ITEMS 59 & 60).	S.M.
D	6-6-95	SW	REORGANIZED DRAWING, ADDED SHEET 3, ADDITIONAL LIFT EYE (ITEM 20), AND NOTE 4.	S.M.
C	12-15-94	SW	MODIFIED DIMENSION FOR ITEM 19.	S.M.
B	10-31-94	SW	MOD. ITEMS 59 & 60. ADDED DETAIL E.	S.M.
A	3-26-93	CAK	REORGANIZED DRAWING. DELETED ITEMS 2, 3, 4, 8, 9, 10, 25, 30, 36-39, & 55-57. ADDED ITEMS 61 & 62. MOD. NOTES	S.M.
REV.	DATE	APPR.	DESCRIPTION	BY
DESIGNED:	U.S. COAST GUARD		HEADQUARTERS	
DRAWN:	SM	CIVIL ENGINEERING		
TRACED:	1992 TYPE 5x11 LR BUOY			
CHECKED:				
REVIEWED BY:				
R. M. Trainer PROJECT ENGINEER				
S. D. Walker G-ECV-3B				
REVIEWED BY:	APPROVED:	S. F. Trenchard		DATE 5/20/92
UNLESS OTHERWISE SPECIFIED: ALL DIMENSIONS ARE IN INCHES. TOLERANCES: DIM. ±1/8 ANG. ±1°		DRAWING NUMBER 121158		REV. E
SCALE: AS NOTED		SHEET 3 OF 3		