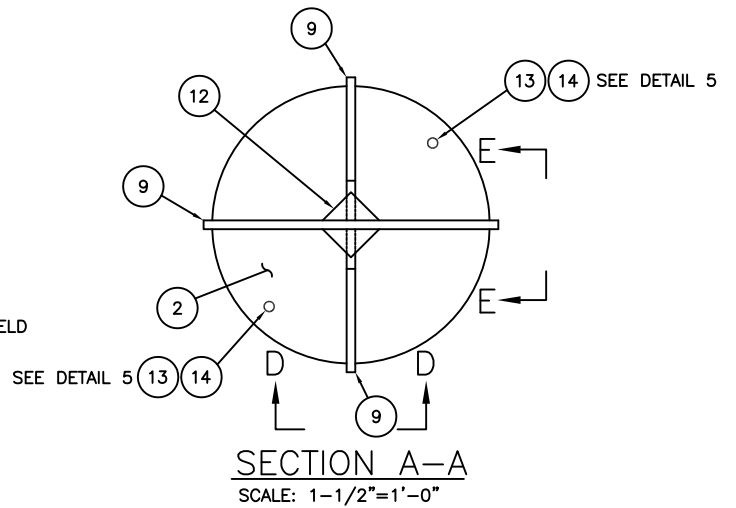
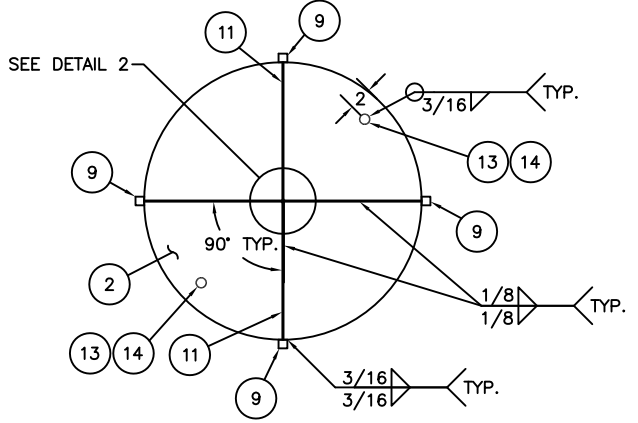


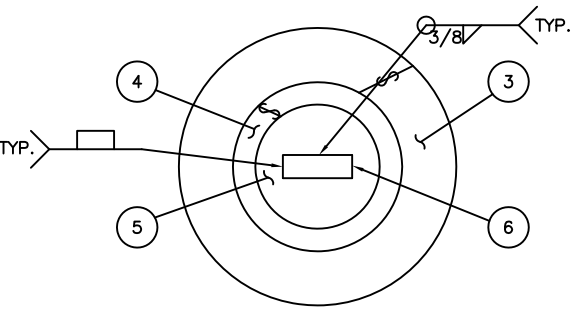
5CR
SCALE: 1-1/2"=1'-0"



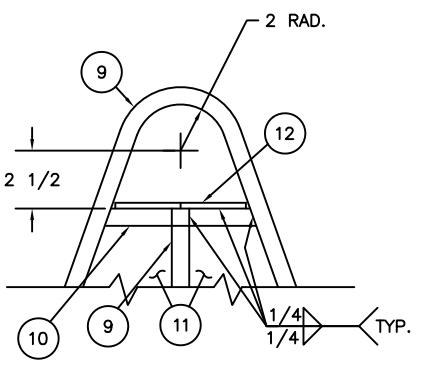
SECTION A-A
SCALE: 1-1/2"=1'-0"



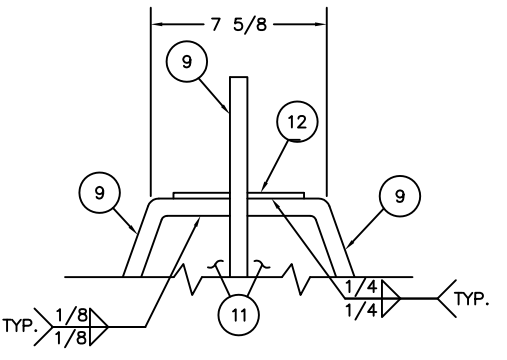
SECTION B-B
SCALE: 1-1/2"=1'-0"



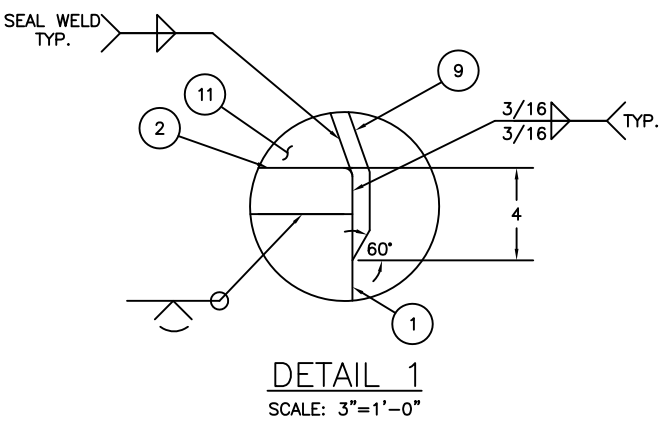
SECTION C-C
SCALE: 1-1/2"=1'-0"



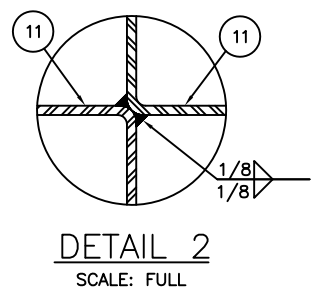
SECTION D-D
SCALE: 3"=1'-0"



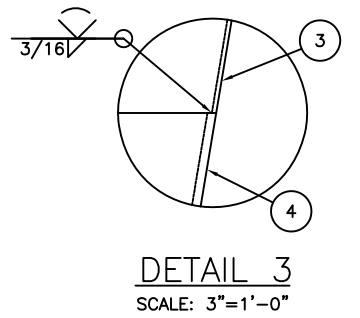
SECTION E-E
SCALE: 3"=1'-0"



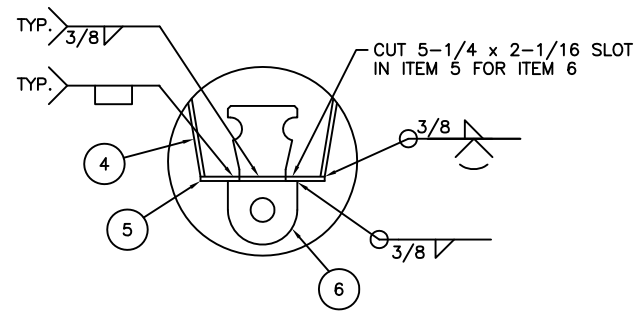
DETAIL 1
SCALE: 3"=1'-0"



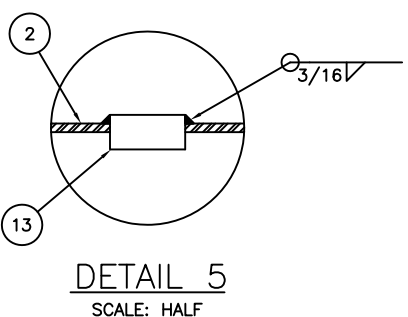
DETAIL 2
SCALE: FULL



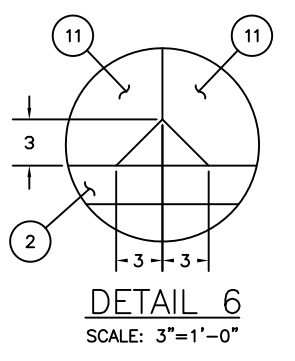
DETAIL 3
SCALE: 3"=1'-0"



DETAIL 4
SCALE: 1-1/2"=1'-0"



DETAIL 5
SCALE: HALF



DETAIL 6
SCALE: 3"=1'-0"

BILL OF MATERIALS				
ITEM NO.	NO. REQ.	DESCRIPTION	MATL.	REMARKS
1	1	BUOY WRAPPER	STEEL	3/16 THK.
2	1	FLANGED HEAD	STEEL	3/16 THK.
3	1	CONICAL WRAPPER	STEEL	3/16 THK.
4	1	COUNTERWEIGHT WRAPPER	STEEL	3/8 THK.
5	1	BOTTOM PLATE	STEEL	10-3/4 O.D. x 3/8 THK.
6	1	MOORING EYE	STEEL	SEE DWG. 121153
7	1	COUNTERWEIGHT	CAST IRON	SEE NOTE 2
8	1	WRAPPER STIFFENER	STEEL	2 WD. x 3/16 THK.
9	3	RADAR REFLECTOR SUPPORT	STEEL	3/4 SQ.
10	1	SPACER BAR	STEEL	3/4 SQ.
11	2	VERTICAL RADAR REFLECTOR	STEEL	12 GA.
12	1	TOP PLATE	STEEL	4 SQ. x 1/4 THK.
13	2	HALF COUPLING	STAIN. STEEL	3/4 I.P.S.
14	2	PIPE PLUG	STAIN. STEEL	3/4 I.P.S. HEX HD.

- NOTES:
- SEE LATEST REVISION OF U.S.C.G. CIVIL ENGINEERING SPECIFICATION No. 464 FOR FABRICATION REQUIREMENTS.
 - THE TOTAL WEIGHT OF ITEMS 4, 5, 6, AND 7 SHALL BE 340 LBS. (+5%, -1%)

REV.	DATE	APPR.	DESCRIPTION	BY
C	10-20-16	W.D.	ADDED WATER DRAINAGE CUT OUT TO ITEM 11. ADDED DETAIL 6.	S.M.
B	6-4-99	S.W.	ADDED ADDITIONAL AIR TEST FITTING (ITEMS 13 & 14).	S.M.
A	2-7-97	S.W.	MOD WELDS TO RADAR REFLECTOR.	S.M.

DESIGNED BY: S.M.	U.S. COAST GUARD	HEADQUARTERS
DRAWN BY: S.M.	CIVIL ENGINEERING	
CHECKED BY:	1994 TYPE	
REVIEWED BY:	FIFTH CLASS NUN BUOY	
Sean McEvoy	(5NR)	
PROJECT ENGINEER		
REVIEWED BY:	APPROVED:	DATE
S. D. Walker	W. F. Kozak	8/28/94
G-SEC-2B	CHIEF, OFFICE OF CIVIL ENGINEERING	
REVIEWED BY:	L. E. Jaeger	
G-SEC-2		

UNLESS OTHERWISE SPECIFIED: ALL DIMENSIONS ARE IN INCHES. TOLERANCES: DIM. ±1/8 ANG. ±1°	DRAWING NUMBER 121163	REV. C
SCALE: AS NOTED	SHEET 1 OF 1	