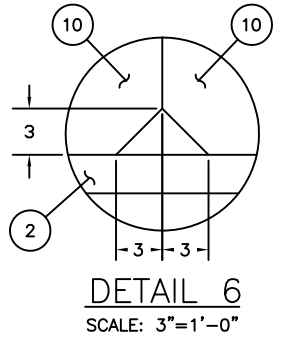
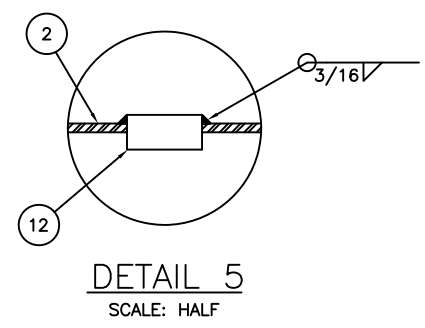
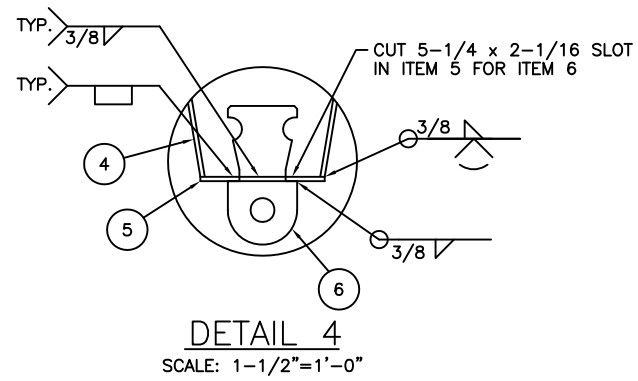
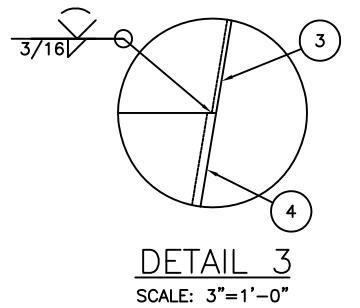
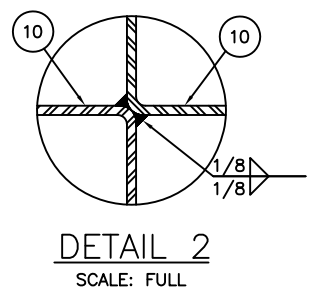
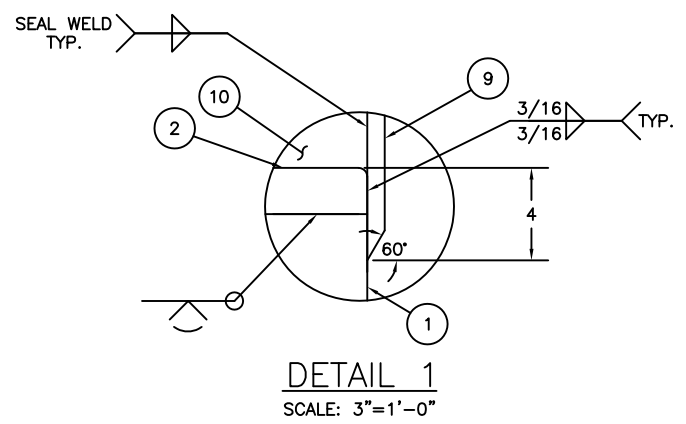
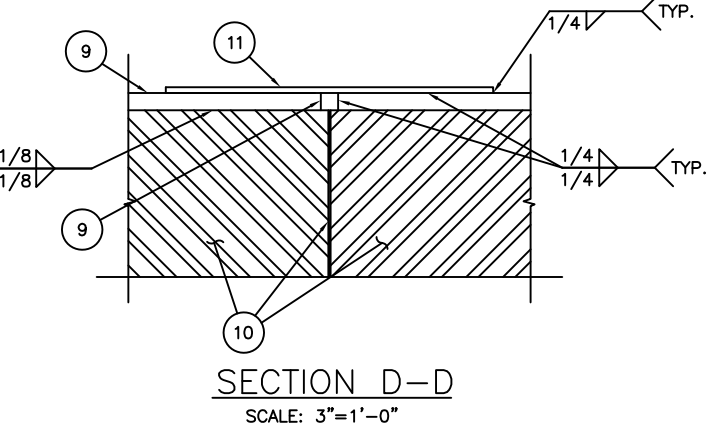
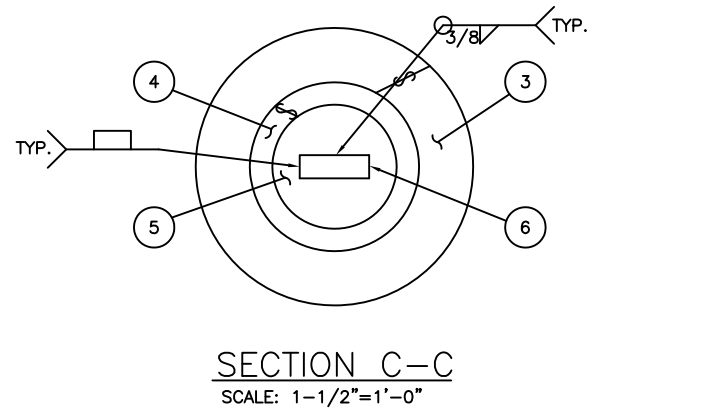
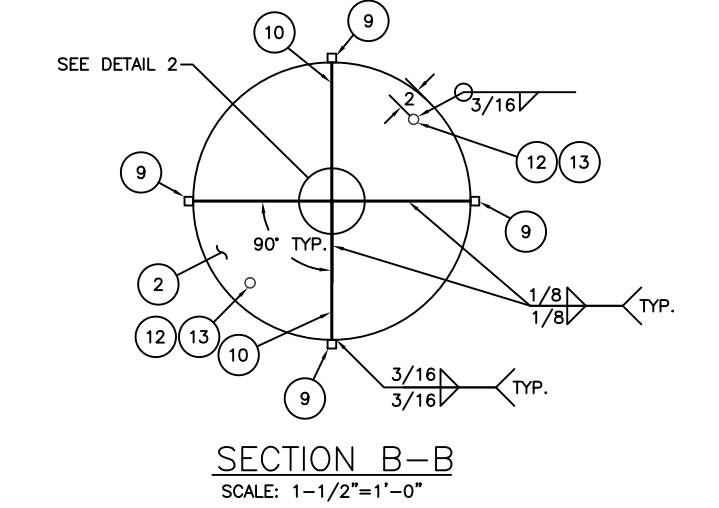
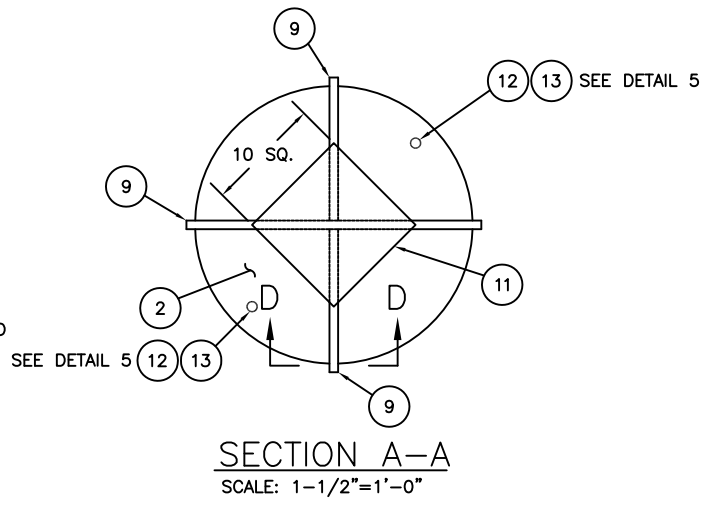


5CR
SCALE: 1-1/2"=1'-0"



BILL OF MATERIALS				
ITEM NO.	NO. REQ.	DESCRIPTION	MATL.	REMARKS
1	1	BUOY WRAPPER	STEEL	3/16 THK.
2	1	FLANGED HEAD	STEEL	3/16 THK.
3	1	CONICAL WRAPPER	STEEL	3/16 THK.
4	1	COUNTERWEIGHT WRAPPER	STEEL	3/8 THK.
5	1	BOTTOM PLATE	STEEL	10-3/4 O.D. x 3/8 THK.
6	1	MOORING EYE	STEEL	SEE DWG. 121153
7	1	COUNTERWEIGHT	CAST IRON	SEE NOTE 2
8	1	WRAPPER STIFFENER	STEEL	2 WD. x 3/16 THK.
9	3	RADAR REFLECTOR SUPPORT	STEEL	3/4 SQ.
10	2	VERTICAL RADAR REFLECTOR	STEEL	12 GA.
11	1	TOP PLATE	STEEL	10 SQ. x 1/4 THK.
12	2	HALF COUPLING	STAIN. STEEL	3/4 I.P.S.
13	2	PIPE PLUG	STAIN. STEEL	3/4 I.P.S. HEX HD.

- NOTES:
- SEE LATEST REVISION OF U.S.C.G. CIVIL ENGINEERING SPECIFICATION No. 464 FOR FABRICATION REQUIREMENTS.
 - THE TOTAL WEIGHT OF ITEMS 4, 5, 6, AND 7 SHALL BE 340 LBS. (+5%, -1%)

REV.	DATE	APPR.	DESCRIPTION	BY
C	10-20-16	W.D.	ADDED WATER DRAINAGE CUT OUT TO ITEM 10. ADDED DETAIL 6.	S.M.
B	6-4-99	S.W.	ADDED ADDITIONAL AIR TEST FITTING (ITEMS 12 & 13).	S.M.
A	2-7-97	S.W.	MOD WELDS TO RADAR REFLECTOR.	S.M.
DESIGNED: S.M.		U.S. COAST GUARD HEADQUARTERS		
DRAWN: S.M.		CIVIL ENGINEERING		
TRACED:		1994 TYPE		
CHECKED:		FIFTH CLASS CAN BUOY		
REVIEWED BY:		(5CR)		
Sean McEvoy PROJECT ENGINEER		APPROVED: W. F. Kozak		
S. D. Walker G-SEC-2B		DATE: 8/8/94		
L. E. Jaeger G-SEC-2		CHIEF, OFFICE OF CIVIL ENGINEERING		
UNLESS OTHERWISE SPECIFIED: ALL DIMENSIONS ARE IN INCHES. TOLERANCES: DIM. ±1/8 ANG. ±1°		DRAWING NUMBER 121164		REV. C
SCALE: AS NOTED		SHEET 1 OF 1		