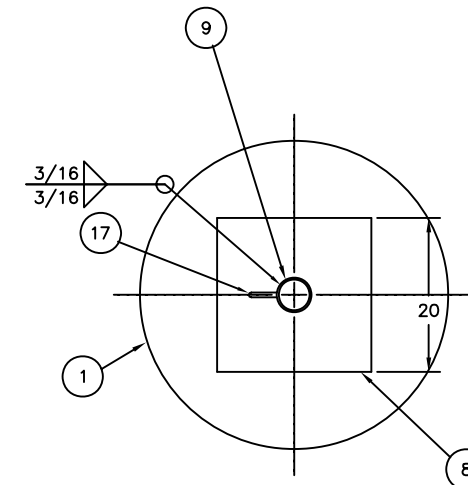
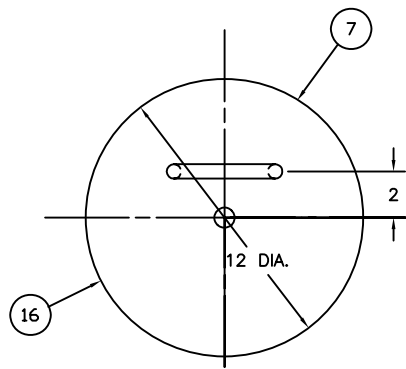


SECTION A-A  
SCALE: 1"=1'-0"

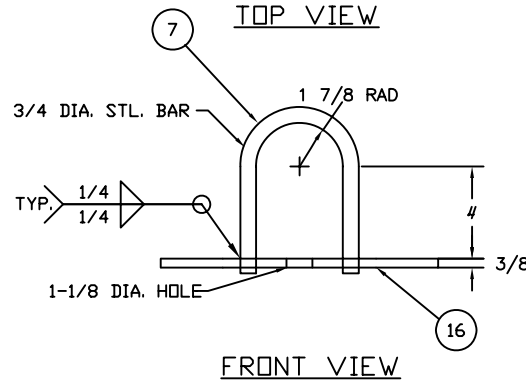


SECTION B-B  
SCALE: 1"=1'-0"

REV.	DATE	APPR.	DESCRIPTION	BY
C	5-15-07	S.W.	CHANGED ITEMS 1, 2 & 3 FROM 3 PCF TO 4 PCF.	S.M.
B	1-5-99	S.W.	MOD QTY. FOR ITEM 6. ADDED ITEM 17.	S.M.
A	1-22-97	S.W.	REORGANIZED DRAWING. MODIFIED ITEMS 7, 9, 10, 11, 12, 14, AND 15. ADDED ITEM 16. MODIFIED NOTES 2, AND 5.	C.B.
DESIGNED: D.B. DRAWN: D.B. TRACED: S.M. CHECKED: S.M. REVIEWED BY:			U.S. COAST GUARD HEADQUARTERS CIVIL ENGINEERING	
D. Braganza PROJECT ENGINEER REVIEWED BY:			4CFR AND 4NFR UNLIGHTED FOAM BUOYS	
S. McEvoy G-ECV-3B REVIEWED BY:			APPROVED: L. E. Jaeger CHIEF OF OCEAN ENGINEERING BRANCH	
S. D. Walker			DATE: 08-30-95	
UNLESS OTHERWISE SPECIFIED: ALL DIMENSIONS ARE IN INCHES. TOLERANCES: DIM. ±1/8 ANG. ±1°			DRAWING NUMBER: 121168 REV. C	
PLOTING SCALE: 1"=1'-0"			SCALE: AS NOTED SHEET 1 OF 2	

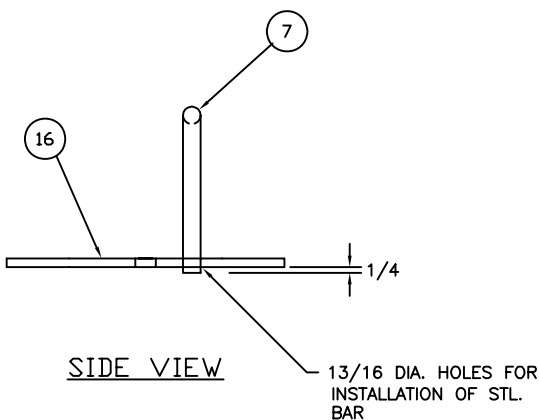


TOP VIEW

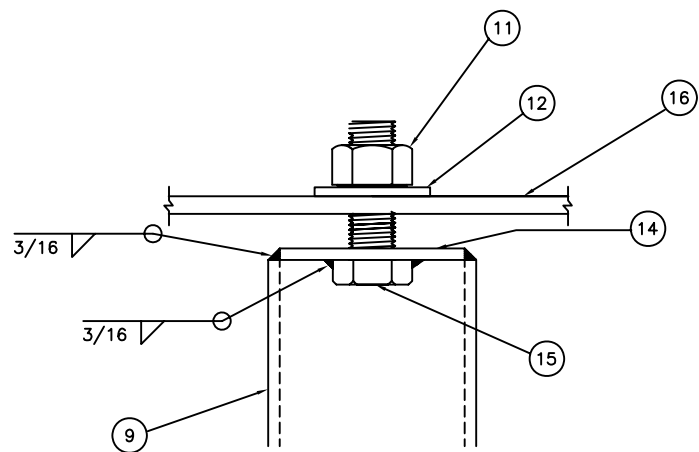


FRONT VIEW

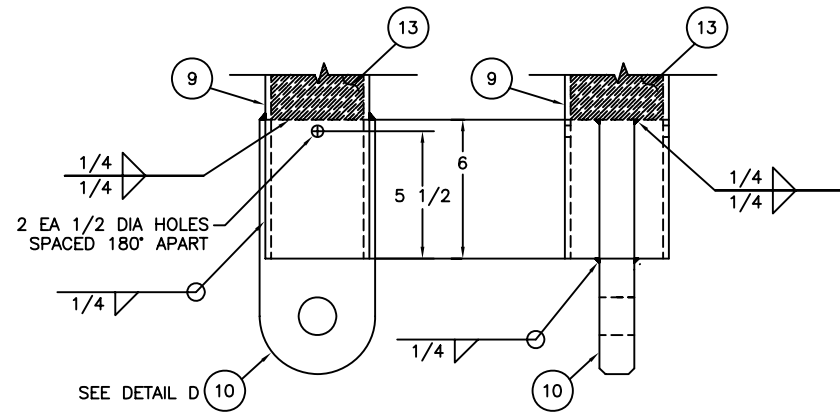
DETAIL A  
SCALE: 3"=1'-0"



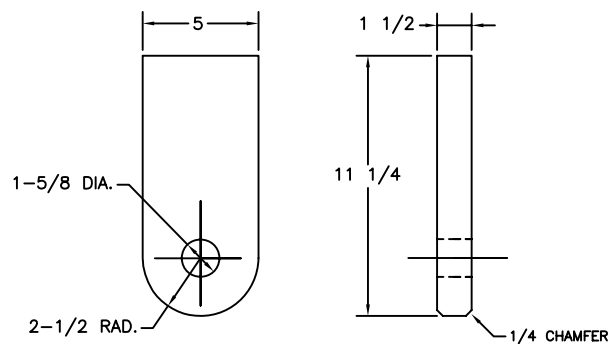
SIDE VIEW



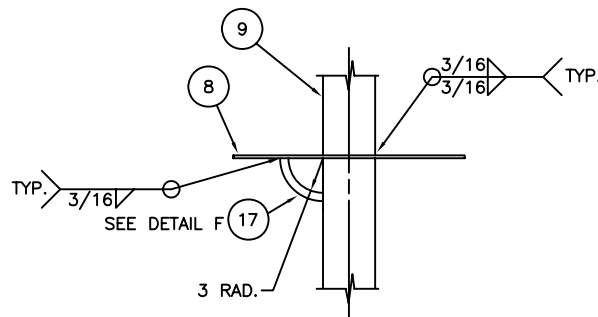
DETAIL B  
SCALE: HALF



DETAIL C  
SCALE: 3"=1'-0"



DETAIL D  
SCALE: 3"=1'-0"



DETAIL E  
SCALE: 1-1/2"=1'-0"

ITEM NO.	(CFR) (NFR)		DESCRIPTION	MATL.	REMARKS
	NO. REQ.	NO. REQ.			
1	1	1	BUOY BODY	FOAM	4 PCF, SEE NOTE 1
2	1	-	BUOY TOP (CFR)	FOAM	4 PCF, SEE NOTES 1 - 3
3	-	1	BUOY TOP (NFR)	FOAM	4 PCF, SEE NOTES 1 - 3
4	3	-	RETROREFLECTIVE MATERIAL	---	6x19 SEE NOTE 4
5	-	3	RETROREFLECTIVE MATERIAL	---	6x14-1/2 SEE NOTE 4
6	3	3	RADAR REFLECTOR ASSEMBLY	---	MORBI M3 SEE NOTE 3
7	1	1	LIFTING EYE	STEEL	3/4 BAR, SEE DET. A
8	1	1	BOTTOM PLATE	STEEL	1/4" THK.
9	1	1	CENTER PIPE	STEEL	3 DIA, SCH 40X84'
10	1	1	MOORING EYE	STEEL	1 1/2 THK.
11	1	1	NYLOCK NUT	STAINLESS STEEL	1-8 UNC-2B
12	1	1	WASHER	STAINLESS STEEL	1-NOMINAL DIA.
13	1	1	BALLAST	STEEL	3 O.D. X 12 LG. SOLID STEEL
14	1	1	TUBE SEAL PLATE	STEEL	1/4 THK.
15	1	1	HEX HEAD BOLT	STAINLESS STEEL	1-8 UNC-2BX3 LG
16	1	1	TOP PLATE	STEEL	3/8 PLATE, 12 DIA.
17	1	1	MOORING BAR	STEEL	5/8 DIA.

NOTES:

- SEE LATEST REVISION OF U.S.C.G. CIVIL ENGINEERING SPECIFICATION No. 450 FOR FABRICATION REQUIREMENTS.
- CUT HOLES IN ITEMS 2 & 3 TO PERMIT A TIGHT FIT WITH ITEM 6. FILL VOID WITH IONOMER FOAM PLUGS.
- INSTALL ITEM 6, 120 DEGREES APART.
- INSTALL ITEMS 4 & 5, 120 DEGREES APART AND 6 INCHES FROM THE TOP ON THE BUOY BODY.
- ITEMS 7, 8, 9, 10, 13, 14, 15, 16, & 17 SHALL BE HOT DIPPED GALVANIZED IN ACCORDANCE WITH THE SPECIFICATION.

REV.	DATE	APPR.	DESCRIPTION	BY
C	5-15-07	S.W.	CHANGED ITEMS 1, 2 & 3 FROM 3 PCF TO 4 PCF.	S.M.
B	1-5-99	S.W.	MOD QTY. FOR ITEM 6. ADDED ITEM 17.	S.M.
A	1-22-97	S.W.	REORGANIZED DRAWING. MODIFIED ITEMS 7, 9, 10, 11, 12, 14, AND 15. ADDED ITEM 16. MODIFIED NOTES 2, AND 5.	C.B.
DESIGNED: D.B. DRAWN: D.B. TRACED: S.M. CHECKED: S.M. REVIEWED BY:			U.S. COAST GUARD HEADQUARTERS CIVIL ENGINEERING 4CFR AND 4 NFR UNLIGHTED FOAM BUOYS	
D. Braganza PROJECT ENGINEER REVIEWED BY:				
S. McEvoy G-ECV-3B REVIEWED BY:				
S.D. Walker REVIEWED BY:			APPROVED: L. E. Jaeger CHIEF OF OCEAN ENGINEERING BRANCH	
			DATE: 08-30-95	
UNLESS OTHERWISE SPECIFIED: ALL DIMENSIONS ARE IN INCHES. TOLERANCES: DIM. ±1/8 ANG. ±1°			DRAWING NUMBER: 121168 REV. C	
PLOTING SCALE: 1-1/2"=1'-0"			SCALE: AS NOTED SHEET 2 OF 2	