

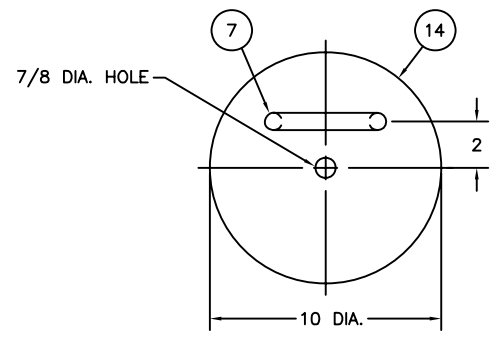
REV.	DATE	APPR.	DESCRIPTION	BY
C	5-15-07	S.W.	CHANGED ITEMS 1 & 2 FROM 3 PCF TO 4 PCF.	S.M.
B	1-5-99	S.W.	REORGANIZED THE DRAWING.	S.M.
A	1-22-97	S.W.	ADDED PAGE 2, RADAR REFLECTOR DETAIL & ITEM 14. MOD ITEMS 1, 2, 3, 4, 6, 9, 11, & 13. MOD NOTES 4 & 7.	S.M.

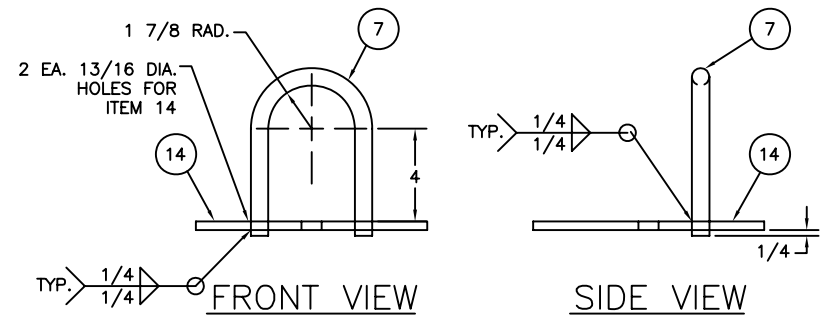
DESIGNED: D.B.	U.S. COAST GUARD	HEADQUARTERS
DRAWN: D.B.	CIVIL ENGINEERING	
TRACED: S.M.	6CFR AND 6NFR	
CHECKED: S.M.	UNLIGHTED FOAM BUOYS	
REVIEWED BY:		
D. Braganza PROJECT ENGINEER		
S. McEvoy G-ECV-3B	APPROVED:	DATE
S. D. Walker	L. E. Jaeger CHIEF OF OCEAN ENGINEERING BRANCH	11-12-95

UNLESS OTHERWISE SPECIFIED: ALL DIMENSIONS ARE IN INCHES. TOLERANCES: DIM. ±1/8 ANG. ±1°	DRAWING NUMBER 121171	REV. C
SCALE: AS NOTED	SHEET 1 OF 2	



TOP VIEW

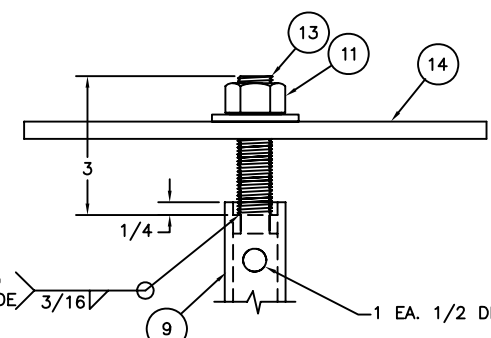


FRONT VIEW

SIDE VIEW

DETAIL A

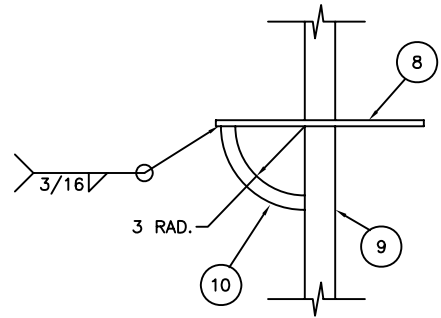
SCALE: 3"=1'-0"



DETAIL B

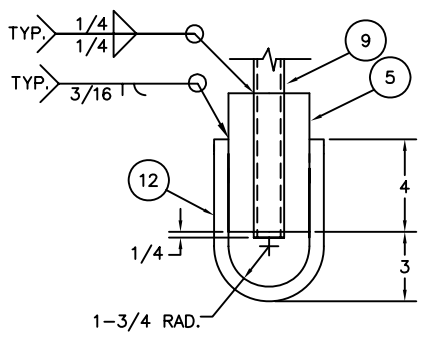
SCALE: HALF

STAINLESS STEEL WELDED WITH TYPE 308 ELECTRODE 3/16



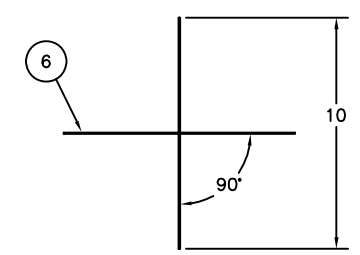
DETAIL C

SCALE: 3"=1'-0"

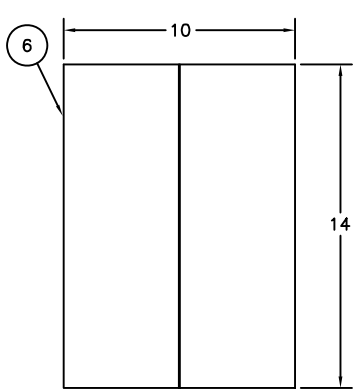


DETAIL D

SCALE: 3"=1'-0"



TOP VIEW



SIDE VIEW

DETAIL E

SCALE: 3"=1'-0"

BILL OF MATERIALS					
ITEM NO.	NFR NO. REQ.	NFR NO. REQ.	DESCRIPTION	MATL.	REMARKS
1	1	-	BUOY BODY (CFR)	FOAM	4 PCF SEE NOTES 1 & 2
2	-	1	BUOY BODY (NFR)	FOAM	4 PCF SEE NOTES 1 & 2
3	3	-	RETROREFLECTIVE MATERIAL	---	6x14 SEE NOTE 3
4	-	3	RETROREFLECTIVE MATERIAL	---	6x12 SEE NOTE 3
5	1	1	COUNTERWEIGHT	STEEL	3 1/2 x 3 1/2 x 6 LG.
6	1	1	RADAR REFLECTOR	ALUM.	14 GAUGE SEE NOTE 2
7	1	1	LIFTING EYE	STEEL	3/4 BAR SEE DETAIL A
8	1	1	BOTTOM PLATE	STEEL	9 SQ. x 1/4 THK.
9	1	1	CENTER PIPE	STEEL	1 SCH. 80 PIPE x 65 LONG
10	1	1	UPPER MOORING EYE	STEEL	5/8 DIA. ROD
11	1	1	NYLOCK NUT & WASHER	STAIN. STEEL	3/4-10UNC-2B
12	1	1	MOORING ROD	STEEL	5/8 DIA. ROD
13	1	1	HEX HEAD BOLT	STAIN. STEEL	3/4-10UNC-2A x 3
14	1	1	TOP PLATE	STEEL	10 DIA. x 3/8 THK.

NOTES:

- SEE LATEST REVISION OF U.S.C.G. CIVIL ENGINEERING SPECIFICATION No. 450 FOR FABRICATION REQUIREMENTS.
- CUT SLOTS IN ITEMS 1 & 2 TO PERMIT A TIGHT FIT WITH ITEM 6.
- INSTALL ITEMS 3 & 4, 120 DEGREES APART AND 3 INCHES FROM THE TOP ON THE BUOY BODY.
- ITEMS 5, 7, 8, 9, 10, & 14 SHALL BE HOT DIPPED GALVANIZED IN ACCORDANCE WITH THE SPECIFICATION.

C	5-15-07	S.W.	CHANGED ITEMS 1 & 2 FROM 3 PCF TO 4 PCF.	S.M.
B	1-5-99	S.W.	REORGANIZED THE DRAWING.	S.M.
A	1-22-97	S.W.	ADDED PAGE 2, RADAR REFLECTOR DETAIL & ITEM 14. MOD ITEMS 1, 2, 3, 4, 6, 9, 11, & 13. MOD NOTES 4 & 7.	S.M.
REV.	DATE	APPR.	DESCRIPTION	BY
DESIGNED: D.B.		U.S. COAST GUARD HEADQUARTERS		
DRAWN: D.B.		CIVIL ENGINEERING		
TRACED: S.M.		6CFR AND 6NFR UNLIGHTED FOAM BUOYS		
CHECKED: S.M.		D. Braganza PROJECT ENGINEER		
REVIEWED BY:		S. McEvoy G-ECV-3B		
REVIEWED BY:		APPROVED:	DATE	
S. D. Walker		L. E. Jaeger	11-12-95	
UNLESS OTHERWISE SPECIFIED: ALL DIMENSIONS ARE IN INCHES. TOLERANCES: DIM. ±1/8 ANG. ±1'		DRAWING NUMBER		REV.
		121171		C
SCALE: AS NOTED		SHEET 2 OF 2		