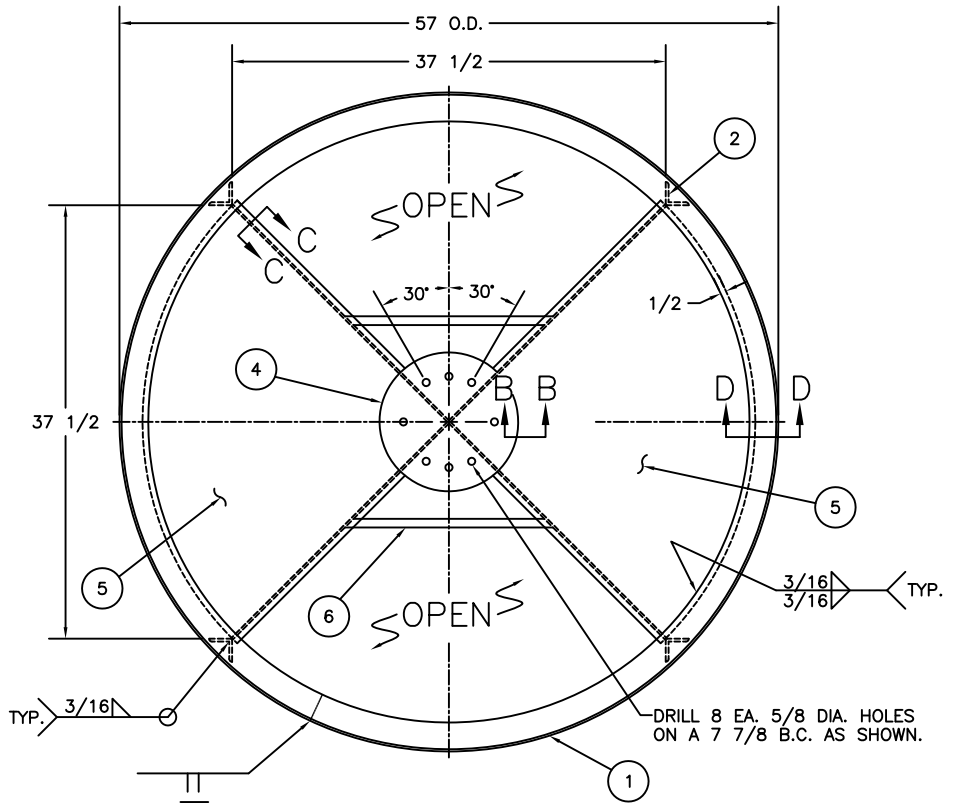
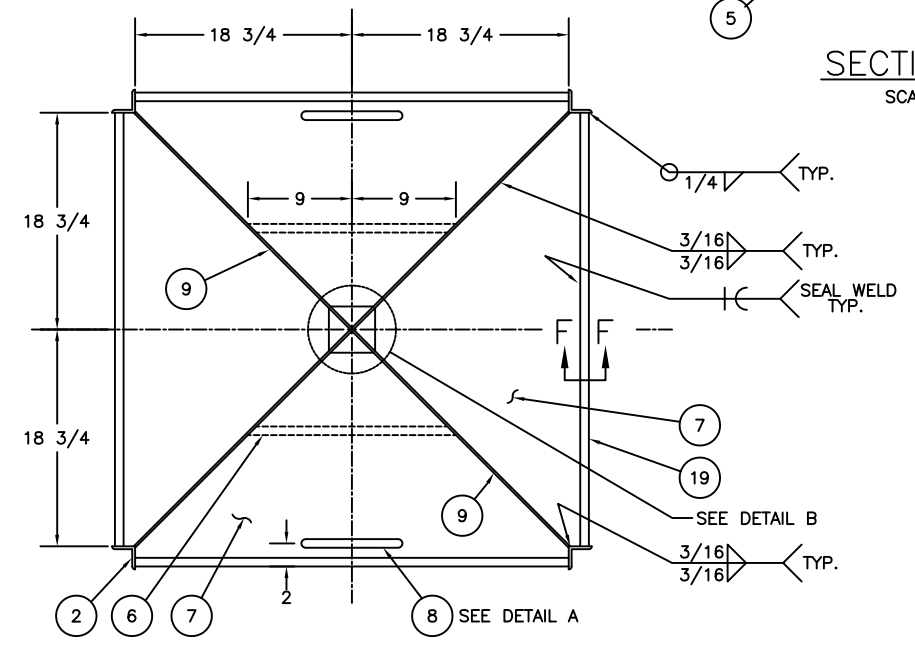


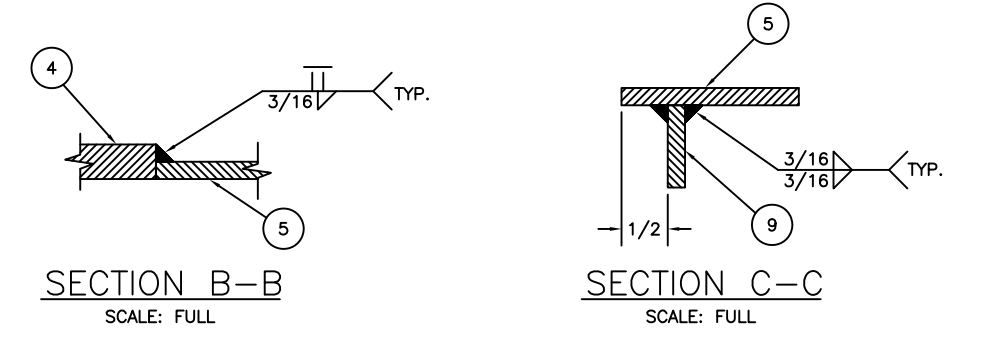
8x26 LR/LWR TOWER
SCALE: 1-1/2"=1'-0"



SECTION A-A
SCALE: 1-1/2"=1'-0"

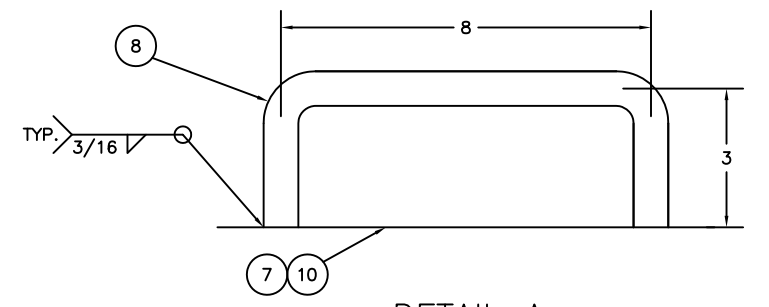


SECTION E-E
SCALE: 1-1/2"=1'-0"

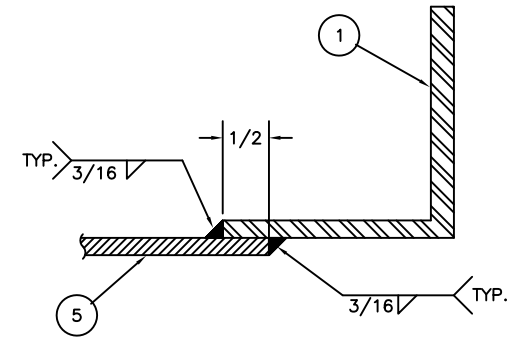


SECTION B-B
SCALE: FULL

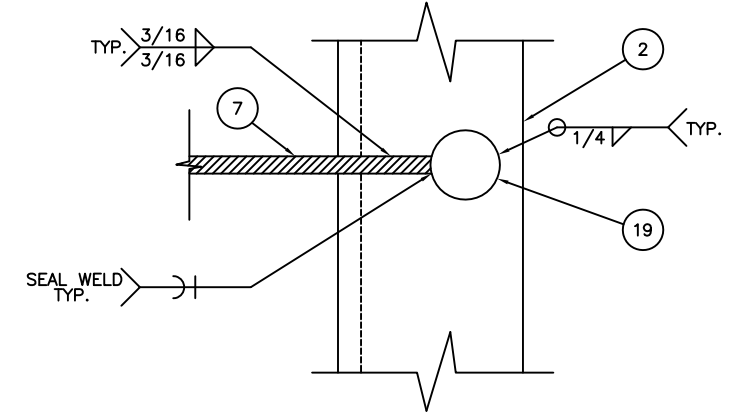
SECTION C-C
SCALE: FULL



DETAIL A
SCALE: HALF

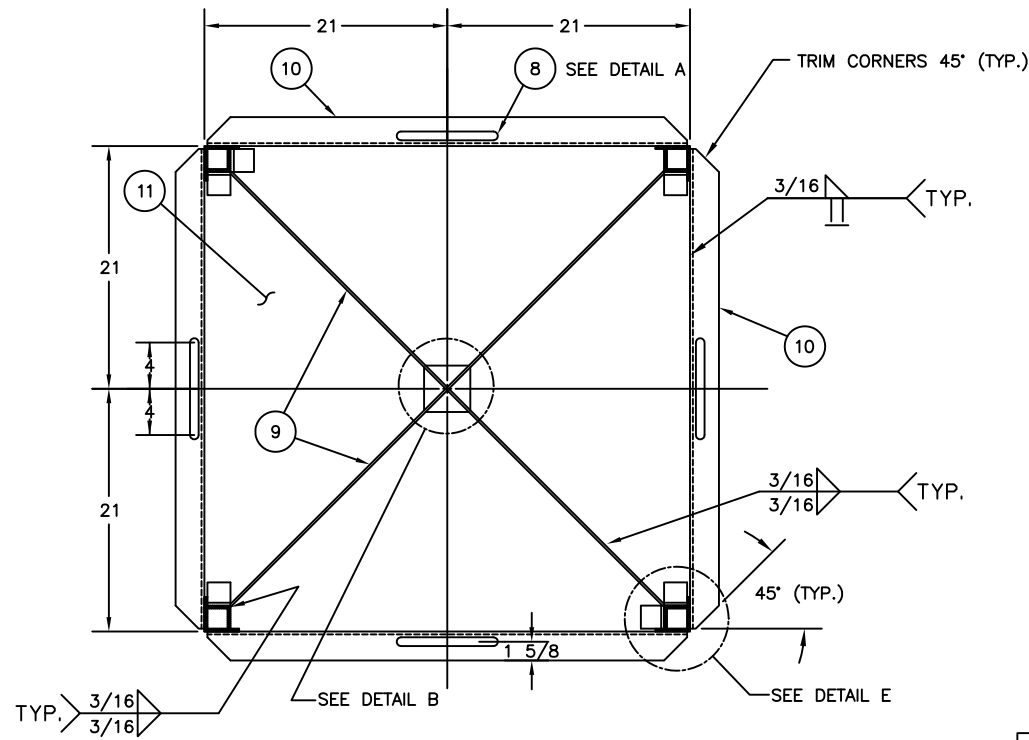


SECTION D-D
SCALE: FULL

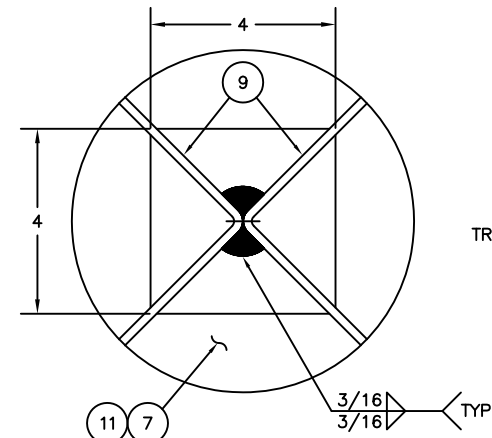


SECTION F-F
SCALE: FULL

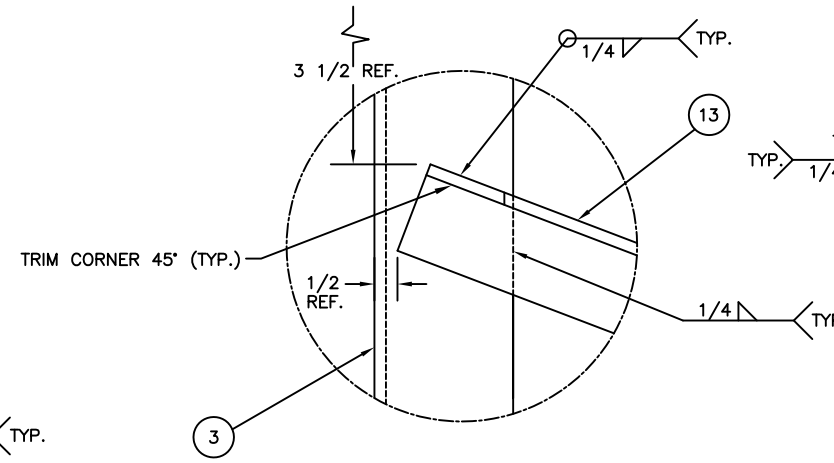
A	4-10-06	W.D.	ADDED NOTE 3	S.M.
REV.	DATE	APPR.	DESCRIPTION	BY
DESIGNED:	S.M.		U.S. COAST GUARD HEADQUARTERS	
DRAWN:	S.M.		CIVIL ENGINEERING	
TRACED:			8x26 LR/LWR BUOY TOWER	
CHECKED:				
REVIEWED BY:	Sean McEvoy			
PROJECT ENGINEER				
REVIEWED BY:	S. D. Walker			
G-SEC-2B				
REVIEWED BY:	L. E. Jaeger		J. A. Rauch	8/13/96
G-SEC-2			CHIEF, OFFICE OF CIVIL ENGINEERING	
UNLESS OTHERWISE SPECIFIED: ALL DIMENSIONS ARE IN INCHES. TOLERANCES: DIM. ±1/8 ANG. ±30°			DRAWING NUMBER	REV.
			121174	A
SCALE: AS NOTED			SHEET 1	OF 3



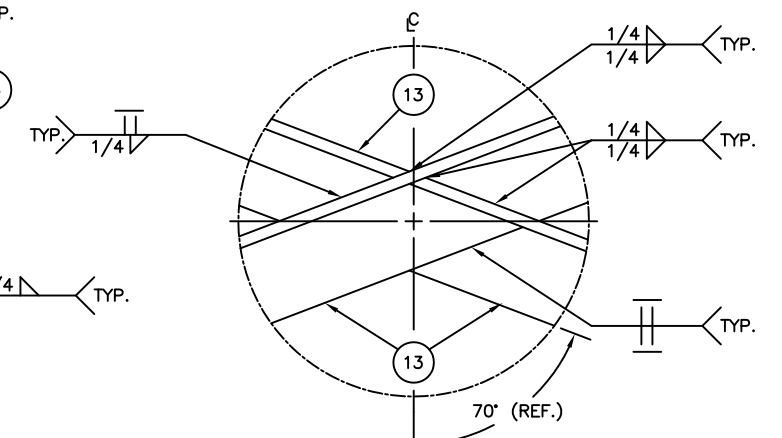
SECTION G-G
SCALE: 1-1/2"=1'-0"



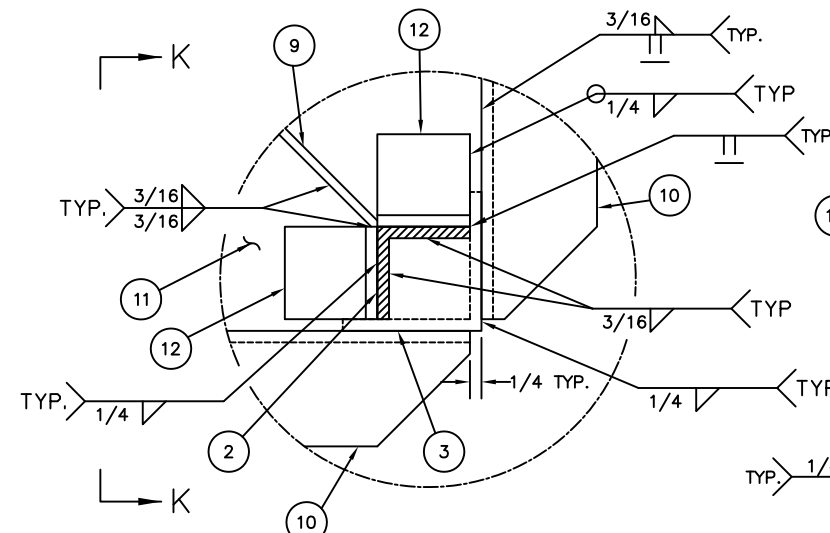
DETAIL B
SCALE: FULL



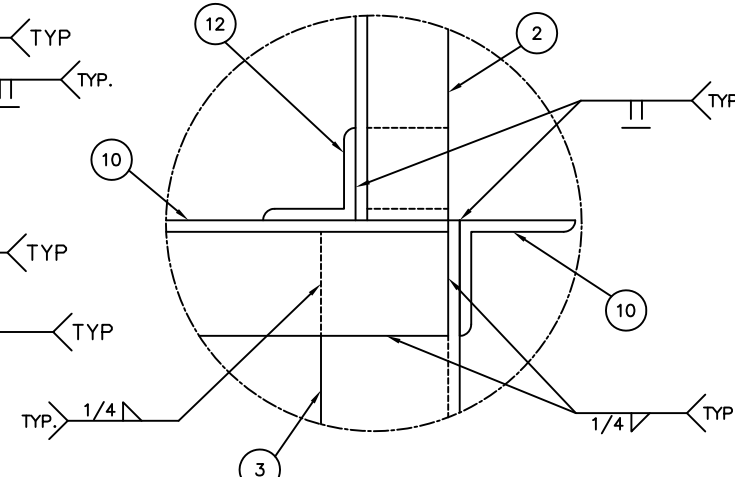
DETAIL C
SCALE: HALF



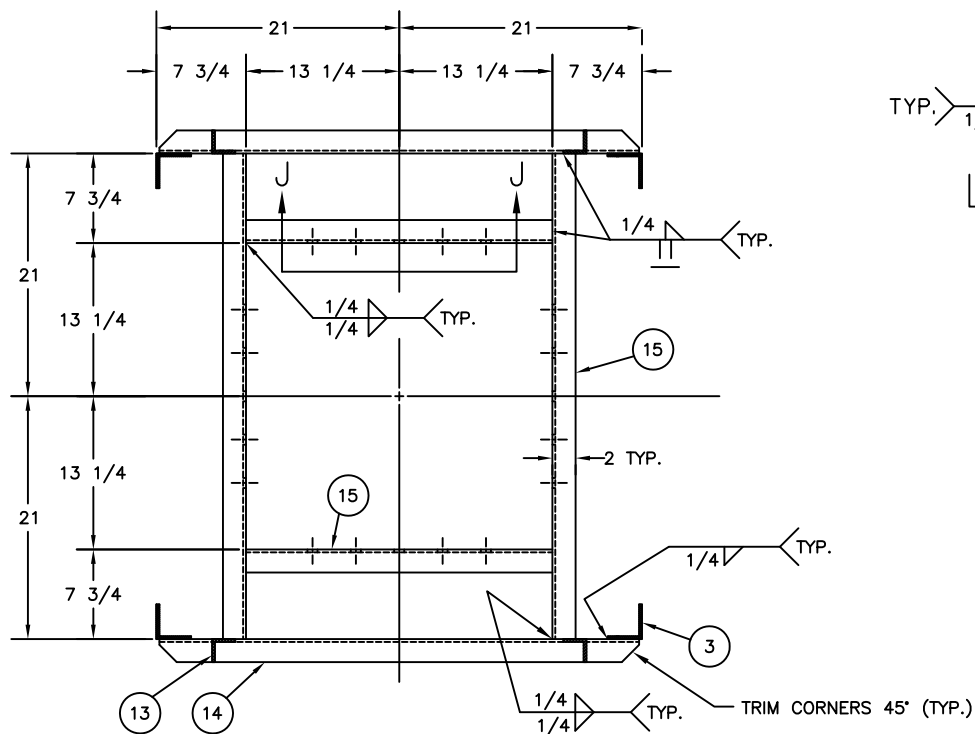
DETAIL D
SCALE: HALF



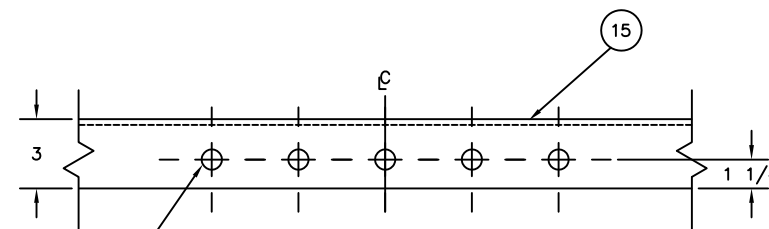
DETAIL E
SCALE: HALF



SECTION K-K
SCALE: HALF



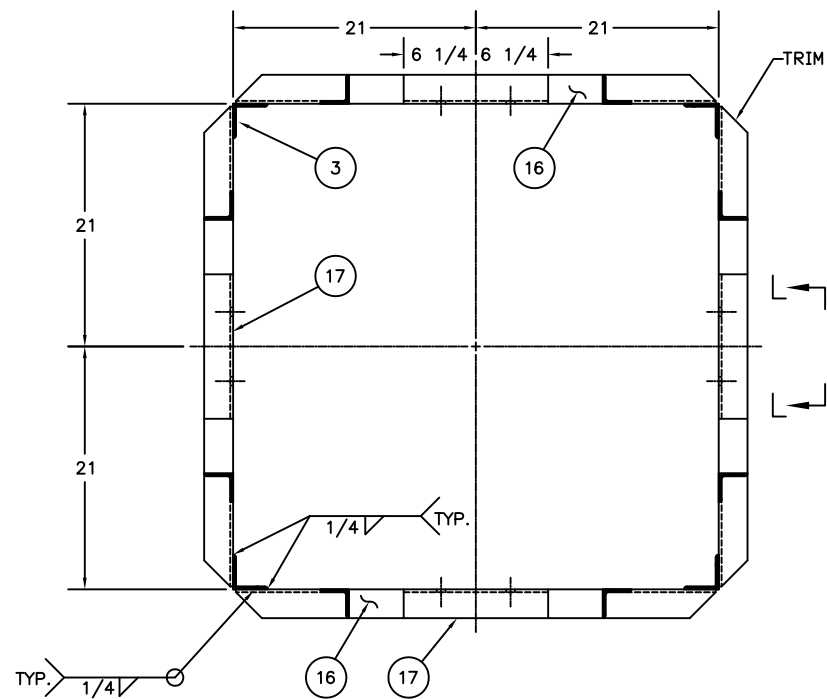
SECTION H-H
SCALE: 1-1/2"=1'-0"
(SEE NOTE 2)



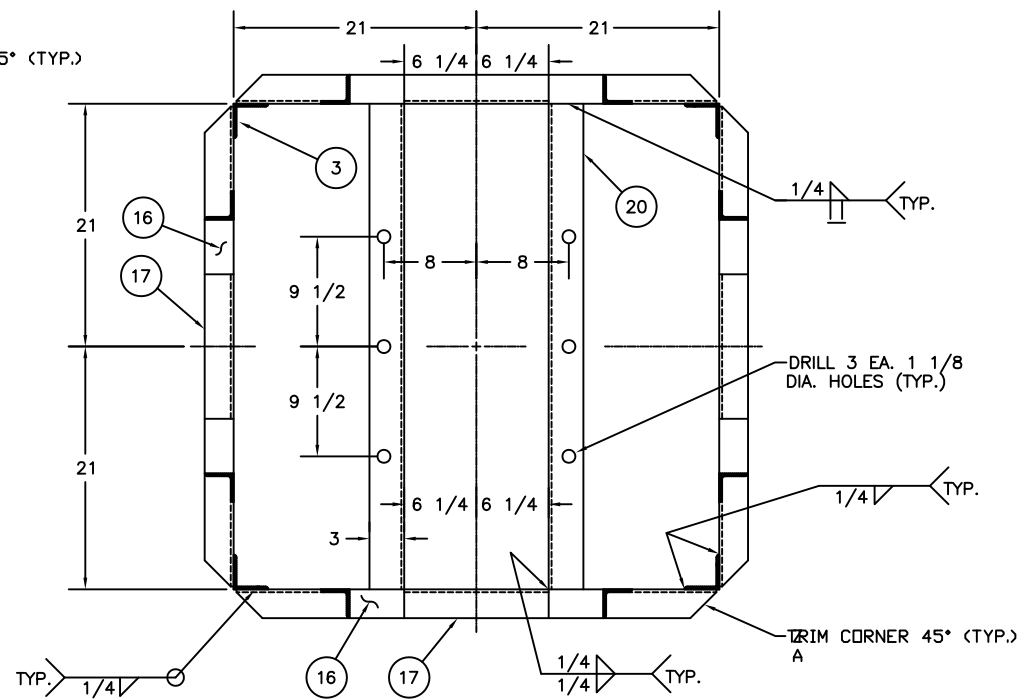
SECTION J-J
SCALE: 3"=1'-0"

DRILL 5 HOLES-7/8 DIA.
SPACED AT 3 3/4 APART (TYP.)

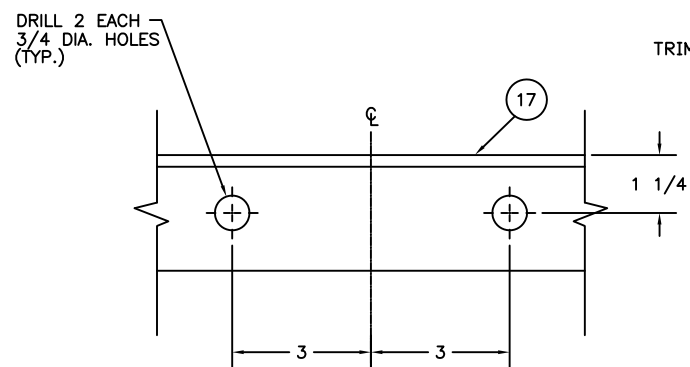
REV.	DATE	APPR.	DESCRIPTION	BY
A	4-10-06	W.D.	ADDED NOTE 3.	S.M.
DESIGNED:	S.M.	U.S. COAST GUARD HEADQUARTERS		
DRAWN:	S.M.	CIVIL ENGINEERING		
TRACED:		8x26 LR/LWR BUOY TOWER		
CHECKED:				
REVIEWED BY:				
PROJECT ENGINEER				
REVIEWED BY:				
S. D. Walker				
G-SEC-2B				
REVIEWED BY:				
L. E. Jaeger				
G-SEC-2				
APPROVED:		J. A. Rauch		DATE
		CHIEF, OFFICE OF CIVIL ENGINEERING		8/13/96
UNLESS OTHERWISE SPECIFIED: ALL DIMENSIONS ARE IN INCHES. TOLERANCES: DIM. ±1/8 ANG. ±30°				DRAWING NUMBER
				121174
				REV. A
SCALE: AS NOTED			SHEET 2 OF 3	



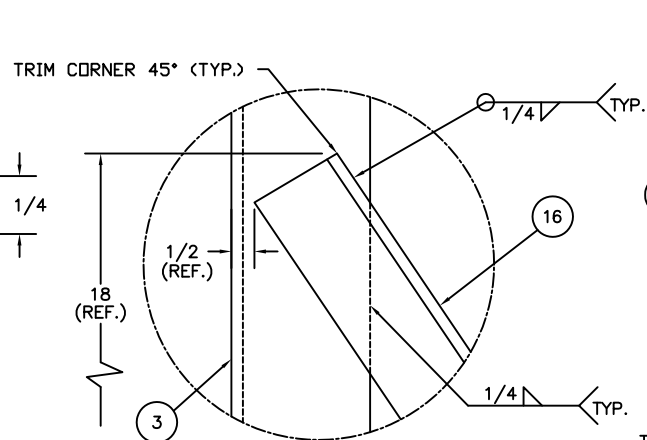
SECTION M-M
SCALE: 1-1/2"=1'-0"



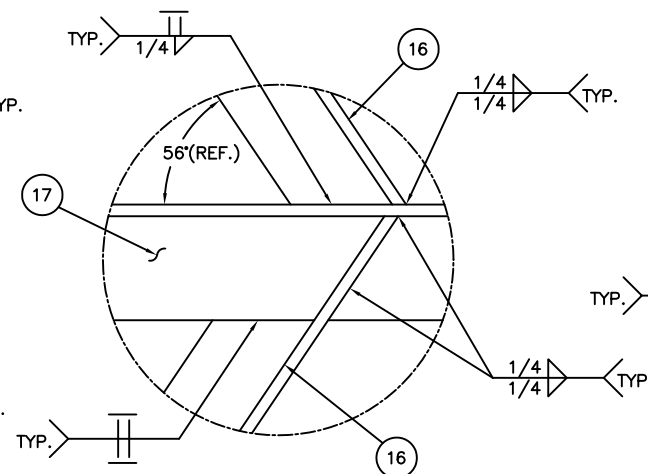
SECTION M-M
SCALE: 1-1/2"=1'-0"
FOR "LWR" ONLY. SEE NOTE 2.



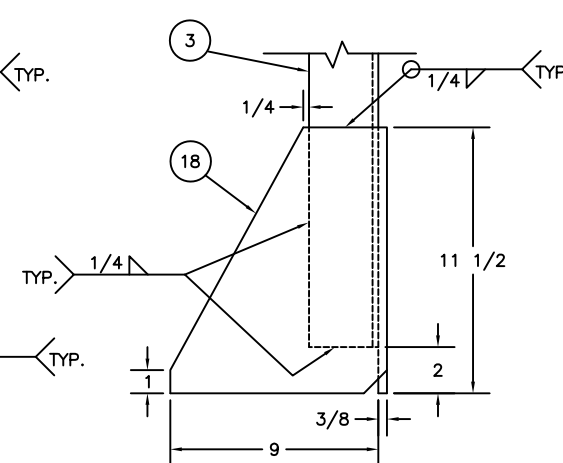
SECTION L-L
SCALE: HALF



DETAIL F
SCALE: HALF



DETAIL G
SCALE: HALF



DETAIL H
SCALE: HALF

BILL OF MATERIALS				
ITEM NO.	NO. REQ.	DESCRIPTION	MATL.	REMARKS
1	1	LANTERN RING	STEEL	2 1/2 x 2 1/2 x 3/16 L
2	4	RADAR REFLECTOR POSTS	STEEL	2 x 2 x 1/4 L
3	4	TOWER LEGS	STEEL	3 x 3 x 1/4 L
4	1	LANTERN BASE PLATE	STEEL	12 DIA. x 3/8 THK.
5	2	LANTERN RING REFLECTORS	STEEL	3/16 THK.
6	4	STEPS	STEEL	3/4 DIA. ROD
7	4	UPPER HORIZONTAL REFLECT.	STEEL	3/16 THK.
8	6	HAND GRABS	STEEL	3/4 DIA. ROD
9	2	VERTICAL REFLECTORS	STEEL	3/16 THK.
10	4	UPPER TOWER STRUTS	STEEL	2 1/2 x 2 1/2 x 1/4 L
11	1	LOWER HORIZONTAL REFLECT.	STEEL	3/16 THK.
12	6	ANGLE CLIPS	STEEL	2 x 2 x 1/4 L
13	12	CROSS BRACES	STEEL	2 x 2 x 1/4 L
14	2	MIDDLE TOWER STRUTS	STEEL	3 x 2 x 1/4 L
15	4	TAPPER SUPPORTS	STEEL	3 x 2 x 1/4 L
16	16	DIAGONAL BRACES	STEEL	2 1/2 x 2 1/2 x 1/4 L
17	4	LOWER TOWER STRUTS	STEEL	2 1/2 x 2 1/2 x 1/4 L
18	4	TOWER FEET	STEEL	3/8 THK.
19	4	UPPER REFLECTOR BAR	STEEL	3/4 DIA. ROD
20	2	WHISTLE VALVE SUPPORT	STEEL	3 x 2 1/2 x 1/4 L

NOTES:

- SEE LATEST REVISION OF U.S.C.G. CIVIL ENGINEERING SPECIFICATION No. 464 FOR FABRICATION REQUIREMENTS.
- FOR THE "LWR" TOWER ONLY, INSTALL ITEM 20 AND REMOVE ITEM 15.
- TRIM ALL SHARP CORNERS 45° ON ITEMS 13, 14, 16 AND 17.

A	4-10-06	W.D.	ADDED NOTE 3.	S.M.
REV.	DATE	APPR.	DESCRIPTION	BY
DESIGNED:	S.M.	U.S. COAST GUARD HEADQUARTERS		
DRAWN:	S.M.	CIVIL ENGINEERING		
TRACED:		8x26 LR/LWR BUOY TOWER		
CHECKED:				
REVIEWED BY:				
Sean McEvoy		PROJECT ENGINEER		
G-SEC-2B				
REVIEWED BY:				
S. D. Walker		APPROVED: J. A. Rauch		DATE
G-SEC-2B		CHIEF, OFFICE OF CIVIL ENGINEERING		8/13/96
L. E. Jaeger				
G-SEC-2				
UNLESS OTHERWISE SPECIFIED: ALL DIMENSIONS ARE IN INCHES. TOLERANCES: DIM. ±1/8 ANG. ±30'				REV. A
DRAWING NUMBER			121174	
SCALE: AS NOTED			SHEET 3 OF 3	