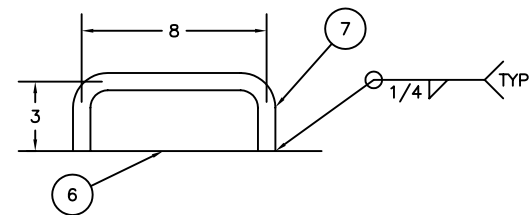
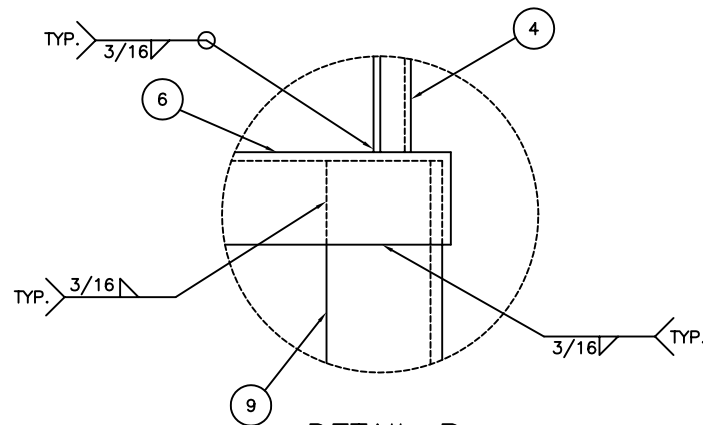


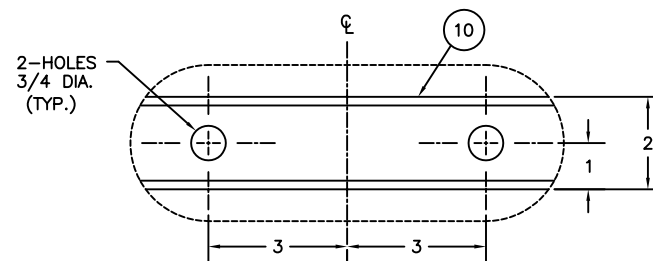
6x20 & 7x17 LR TOWER
SCALE: 1-1/2"=1'-0"



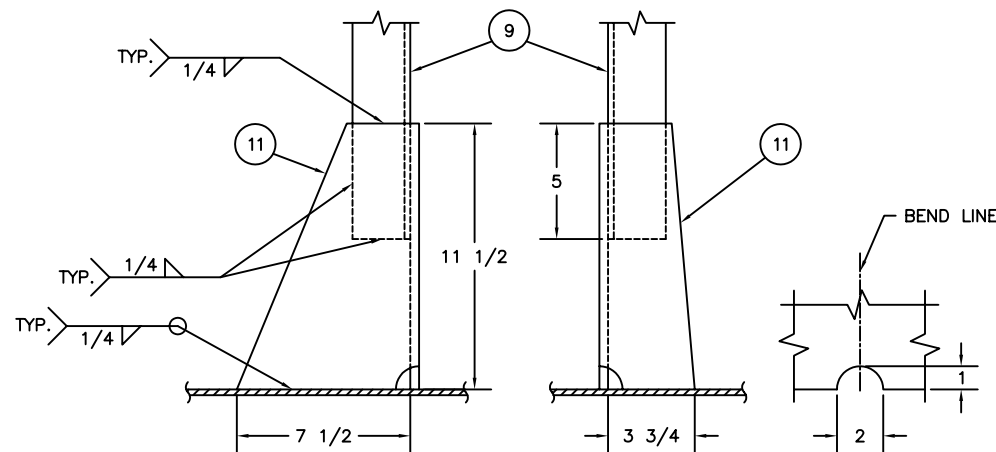
DETAIL A
SCALE: 3"=1'-0"



DETAIL B
SCALE: HALF

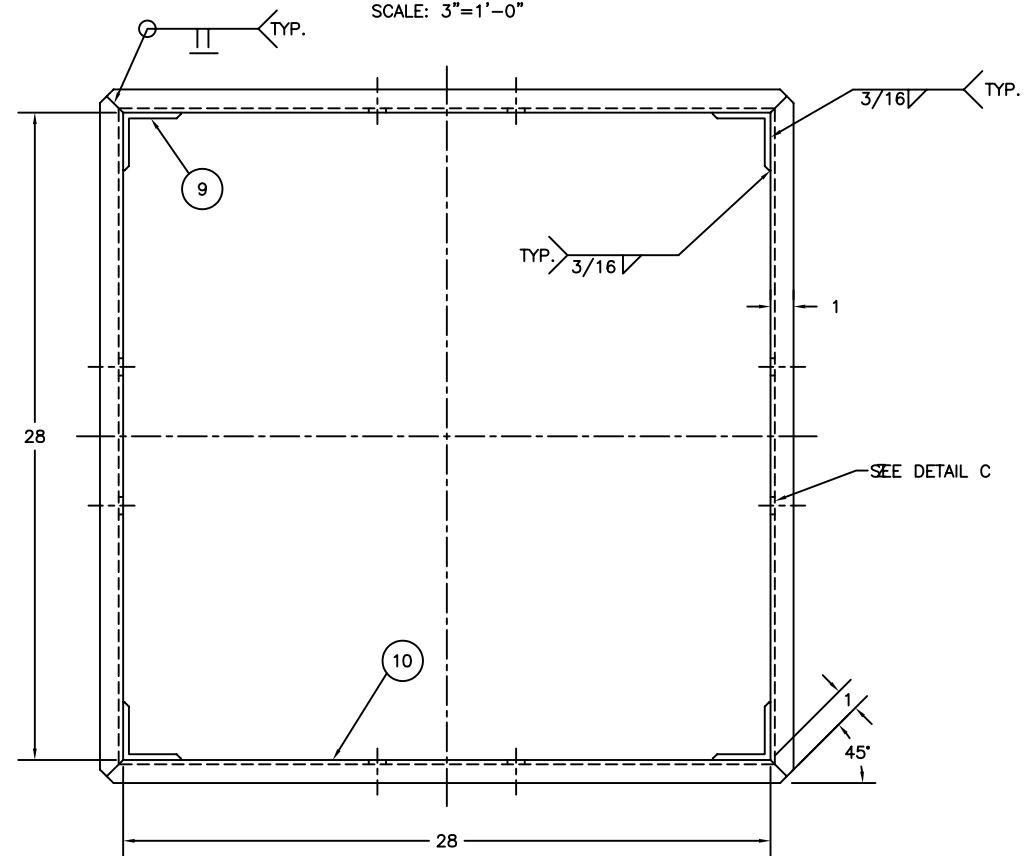
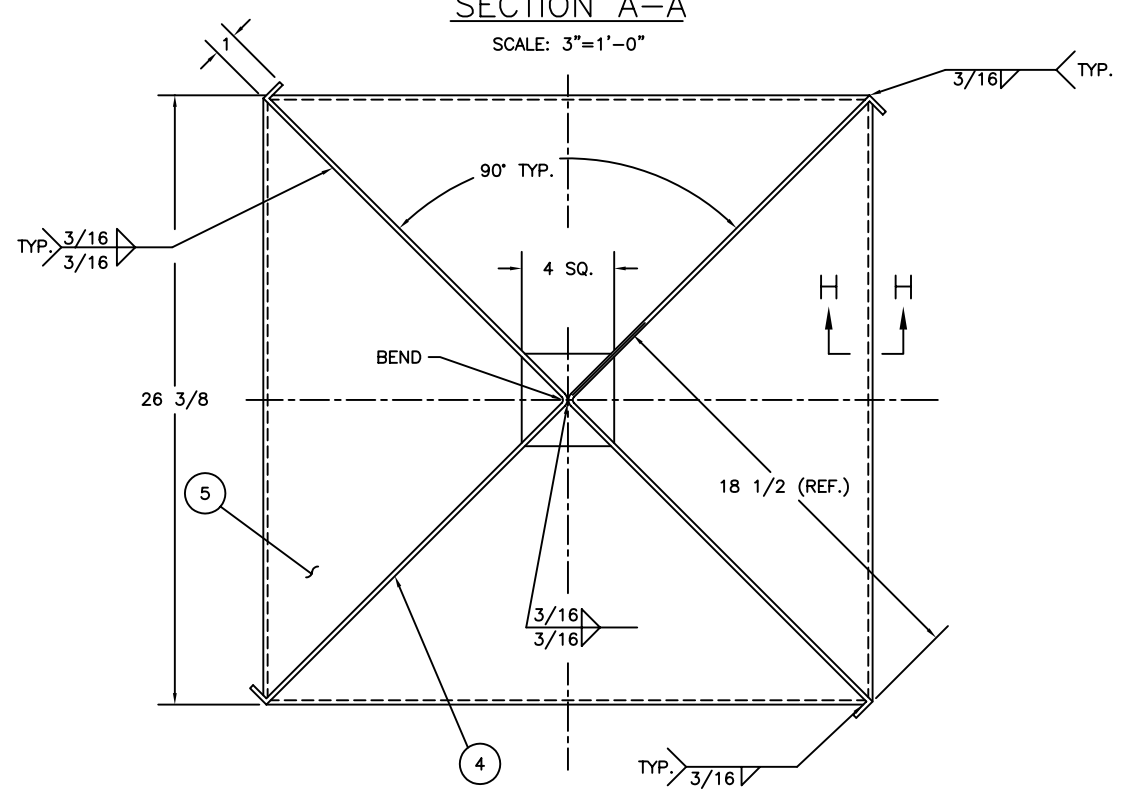
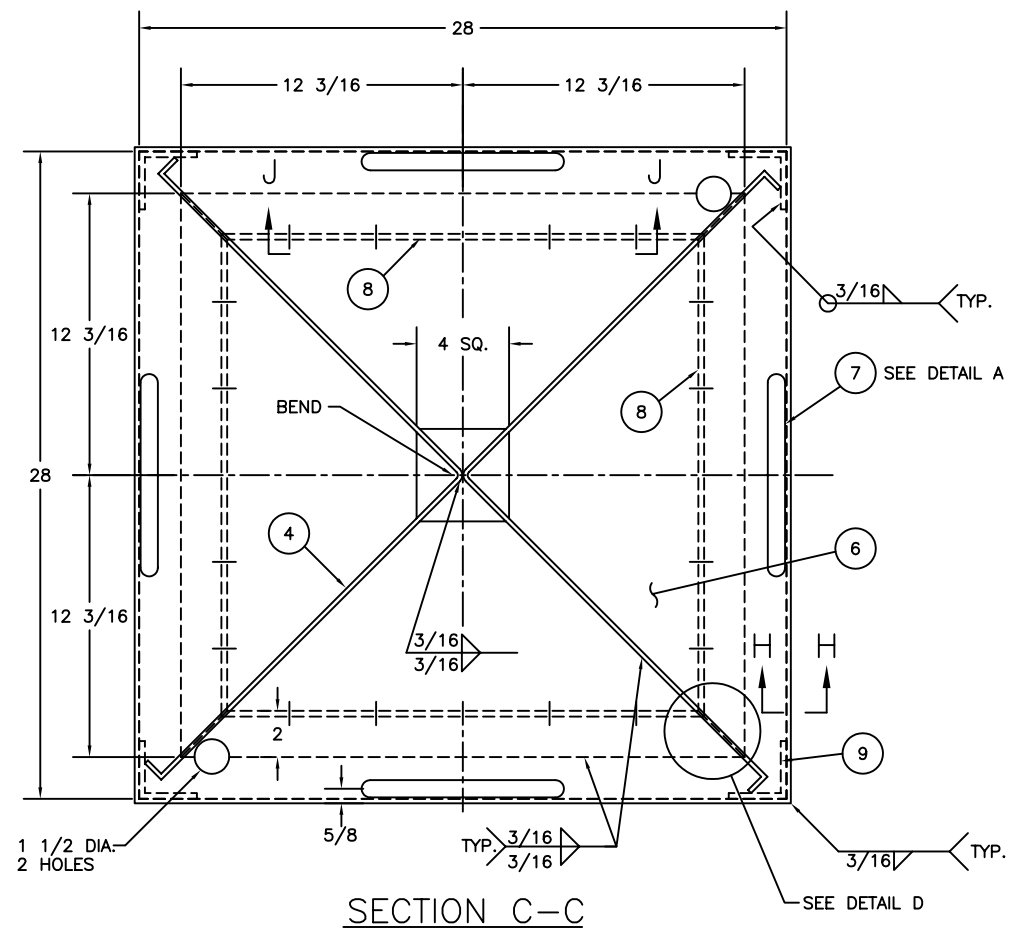
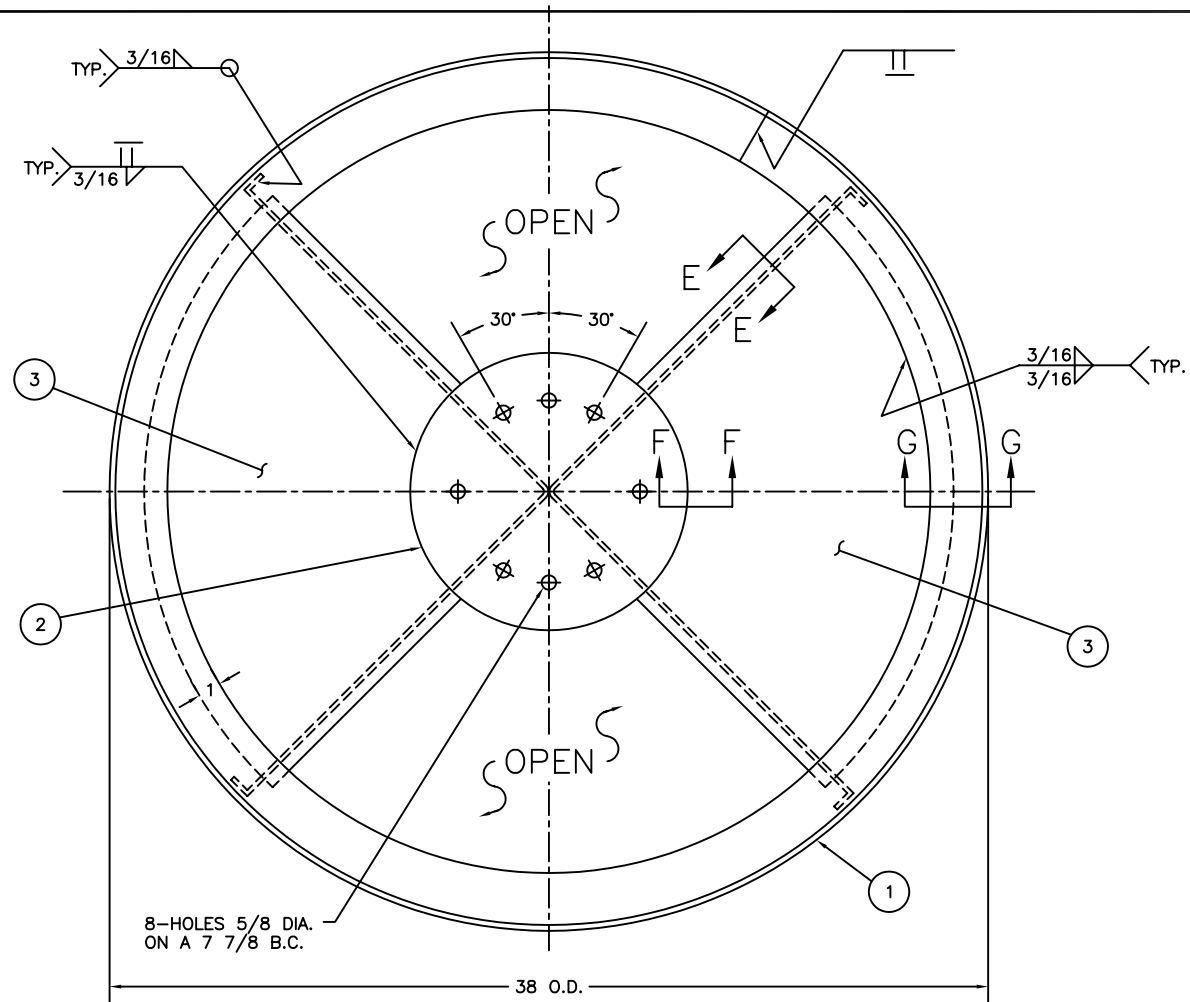


DETAIL C
SCALE: HALF

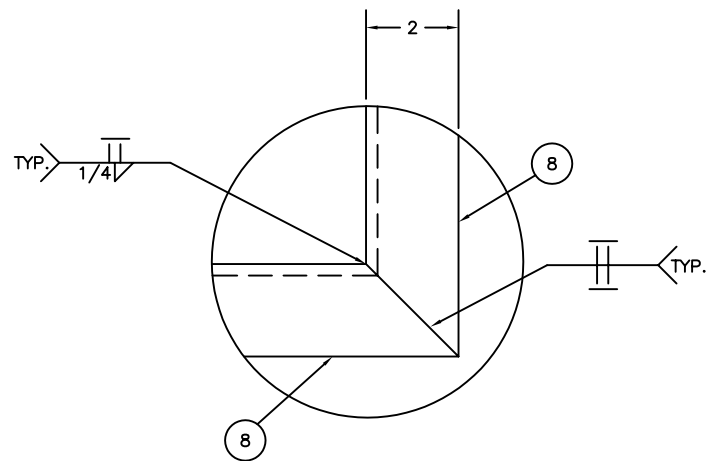


DETAIL D
SCALE: 3"=1'-0"
SEE NOTE 2

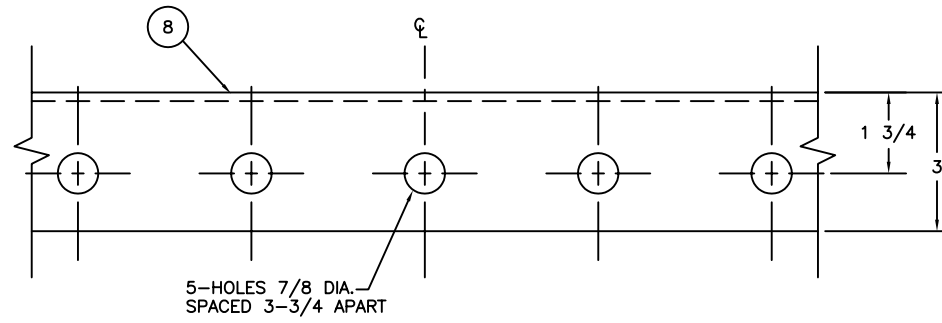
REV.	DATE	APPR.	DESCRIPTION	BY
DESIGNED:	S.M.		U.S. COAST GUARD	HEADQUARTERS
DRAWN:	S.M.		CIVIL ENGINEERING	
TRACED:			6x20 LR & 7x17 LR	
CHECKED:			BUOY TOWER	
REVIEWED BY:				
PROJECT ENGINEER				
REVIEWED BY:				
REVIEWED BY:				
REVIEWED BY:				
APPROVED:		J. A. Rauch	CHIEF, OFFICE OF CIVIL ENGINEERING	DATE 10/29/97
UNLESS OTHERWISE SPECIFIED: ALL DIMENSIONS ARE IN INCHES. TOLERANCES: DIM. ±1/8 ANG. ±30°			DRAWING NUMBER 121176	REV.
			SCALE: AS NOTED	SHEET 1 OF 3



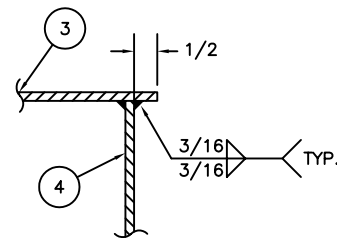
REV.	DATE	APPR.	DESCRIPTION	BY
DESIGNED:	S.M.		U.S. COAST GUARD	HEADQUARTERS
DRAWN:	S.M.		CIVIL ENGINEERING	
CHECKED:			6x20 LR & 7x17 LR	
REVIEWED BY:			BUOY TOWER	
PROJECT ENGINEER				
REVIEWED BY:				
REVIEWED BY:				
REVIEWED BY:				
APPROVED:		J. A. Rauch		DATE
REVIEWED BY:				10/29/97
REVIEWED BY:				
UNLESS OTHERWISE SPECIFIED: ALL DIMENSIONS ARE IN INCHES. TOLERANCES: DIM. ±1/8 ANG. ±30°			DRAWING NUMBER	REV.
			121176	
SCALE: AS NOTED			SHEET 2	OF 3



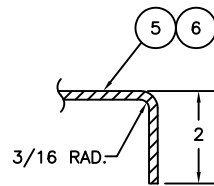
DETAIL E
SCALE: HALF



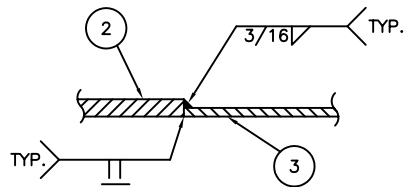
SECTION J-J
SCALE: HALF



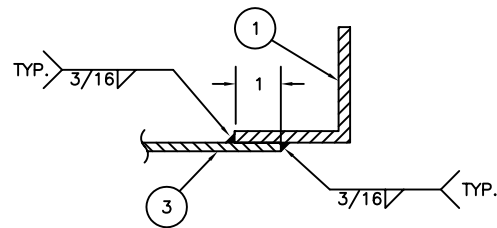
SECTION E-E
SCALE: HALF



SECTION H-H
SCALE: HALF



SECTION F-F
SCALE: HALF



SECTION G-G
SCALE: HALF

BILL OF MATERIALS				
ITEM NO.	NO. REQ.	DESCRIPTION	MATL.	REMARKS
1	1	LANTERN RING	STEEL	2 1/2" x 2 1/2" x 1/4" L
2	1	LANTERN BASE PLATE	STEEL	12 DIA. x 3/8 THK.
3	2	LANTERN RING REFLECTOR	STEEL	3/16 THK.
4	2	VERTICAL REFLECTOR	STEEL	3/16 THK.
5	4	UPPER HORIZONTAL REFLECTOR	STEEL	3/16 THK.
6	1	LOWER REFLECTOR	STEEL	3/16 THK.
7	4	GRAB BAR	STEEL	3/4 DIA. ROUND BAR
8	4	TAPPER SUPPORT	STEEL	3 x 2 x 1/4 L
9	4	TOWER LEG	STEEL	2 1/2" x 2 1/2" x 1/4" L
10	4	TOWER CHANNEL	STEEL	C2 x 1 x 3/16
11	4	TOWER FOOT	STEEL	3/8 THK.

NOTES:

1. SEE LATEST REVISION OF U.S.C.G. CIVIL ENGINEERING SPECIFICATION No. 464 FOR FABRICATION REQUIREMENTS
2. ASSEMBLE TOWER FEET WITH THE LONGER SIDE UNDER THE LANTERN RING OPENINGS (DETAIL D & SECTION A-A).

REV.	DATE	APPR.	DESCRIPTION	BY
DESIGNED:	S.M.	U.S. COAST GUARD	HEADQUARTERS	
DRAWN:	S.M.	CIVIL ENGINEERING		
TRACED:		6x20 LR & 7x17 LR		
CHECKED:		BUOY TOWER		
REVIEWED BY:	Sean McEvoy	PROJECT ENGINEER		
REVIEWED BY:	S. D. Walker	G-SEC-2B		
REVIEWED BY:	R. J. Legier	G-SEC-2		
APPROVED:	J. A. Rauch	CHIEF, OFFICE OF CIVIL ENGINEERING	DATE	10/29/97
UNLESS OTHERWISE SPECIFIED: ALL DIMENSIONS ARE IN INCHES. TOLERANCES: DIM. $\pm 1/8$ ANG. $\pm 30^\circ$			DRAWING NUMBER	REV.
			121176	
SCALE: AS NOTED			SHEET 3	OF 3