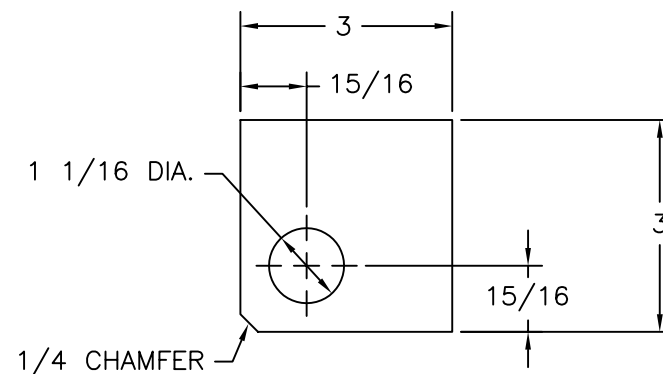
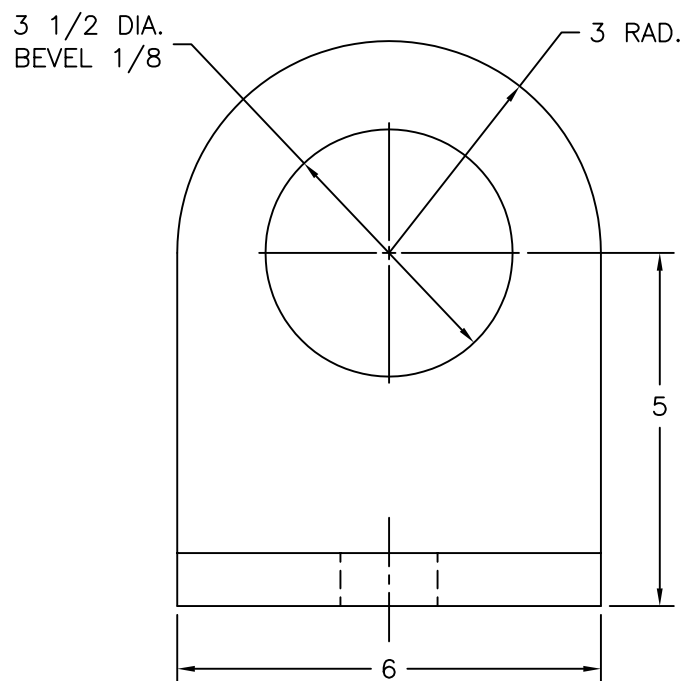


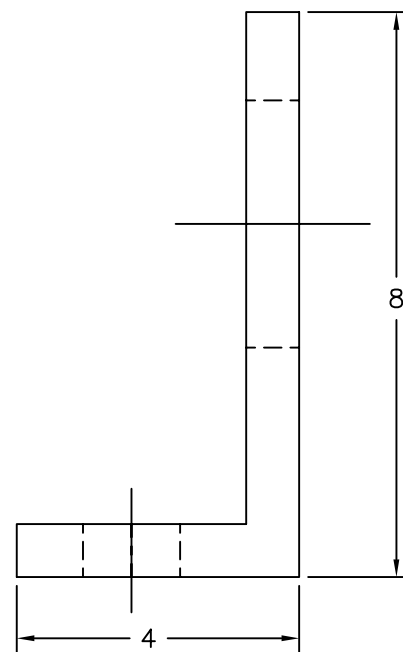
② TOP VIEW
SCALE: HALF



⑥ WEAR PLATE
SCALE: HALF



② FRONT VIEW
SCALE: HALF



② SIDE VIEW
SCALE: HALF

BILL OF MATERIALS

ITEM NO.	NO. REQ.	DESCRIPTION	MATL.	REMARKS
1	4	NYLOCK NUT	STAIN. STEEL	1-8UNC-2B
2	2	LIFT EYE	STEEL	8x4x3/4 L
3	4	THREADED ROD	STAIN. STEEL	1-8UNC-2A x 30 LG.
4	4	HEAVY HEX HEAD NUT	STAIN. STEEL	1-8UNC-2B
5	4	HEAVY WASHERS	STAIN. STEEL	1 NOMINAL
6	4	WEAR PLATES	STAIN. STEEL	3x3x1/4 SEE NOTE 2

NOTES:

- SEE LATEST REVISION OF U.S.C.G. CIVIL ENGINEERING SPECIFICATION No. 450 FOR FABRICATION REQUIREMENTS.
- ROUND OFF ALL SHARP CORNERS AND EDGES.
- TACK WELD ITEM 4 TO ITEM 3.

REV.	DATE	APPR.	DESCRIPTION	BY
DESIGNED: D.B.			U.S. COAST GUARD	HEADQUARTERS
DRAWN: C.B.			CIVIL ENGINEERING	
TRACED:			1991 TYPE	
CHECKED: S.M.			5x9 LNFR/LCFR	
REVIEWED BY:			BUOY RETROFIT KIT	
Corey Bonheim PROJECT ENGINEER				
REVIEWED BY:				
S. D. Walker G-SEC-2B				
REVIEWED BY:		APPROVED:		DATE
L. E. Jaeger G-SEC-2		J. A. Rauch CHIEF, OFFICE OF CIVIL ENGINEERING		11/14/96
UNLESS OTHERWISE SPECIFIED: ALL DIMENSIONS ARE IN INCHES. TOLERANCES: DIM. ±1/8 ANG. ±1°			DRAWING NUMBER	REV.
			121177	
SCALE: AS NOTED			SHEET 1 OF 1	