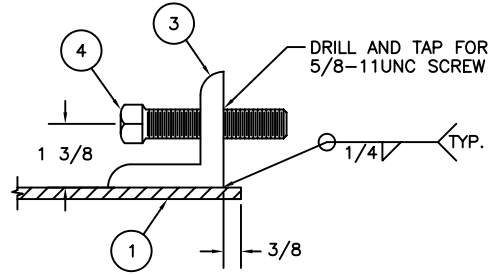
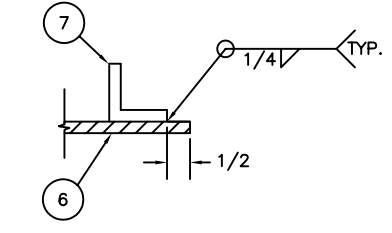


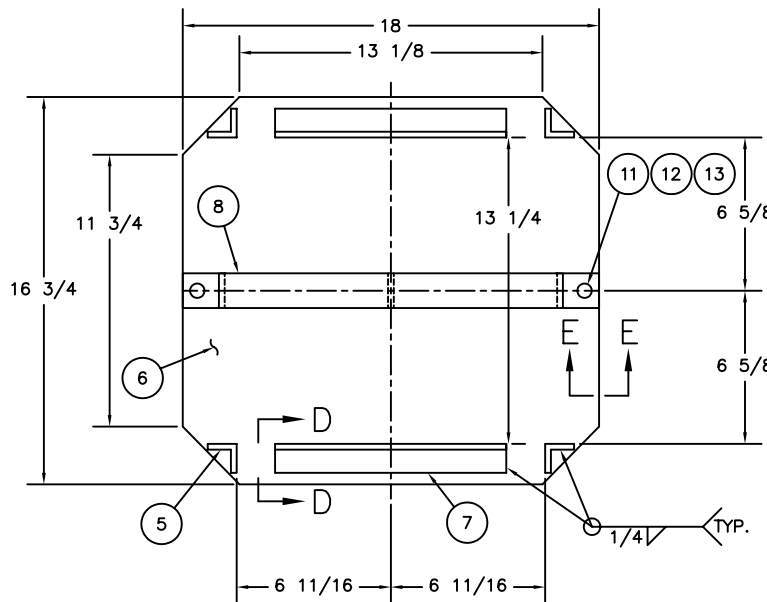
TOP VIEW
SCALE: 3"=1'-0"



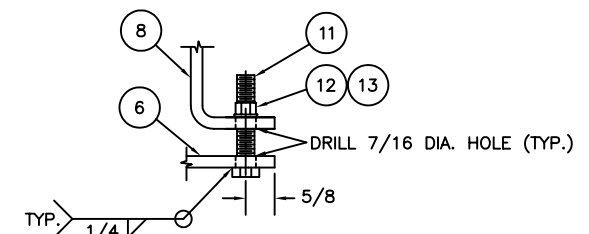
SECTION A-A
SCALE: 3"=1'-0"



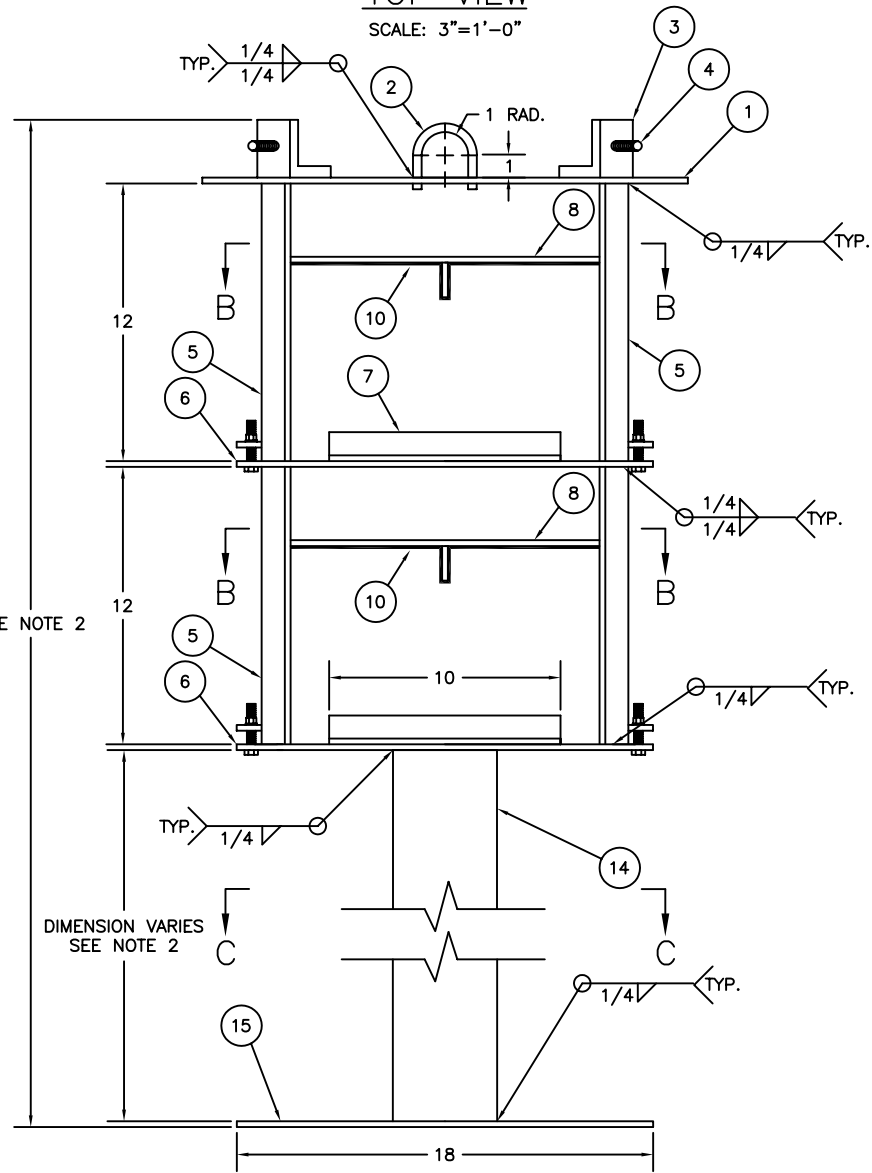
SECTION D-D
SCALE: HALF



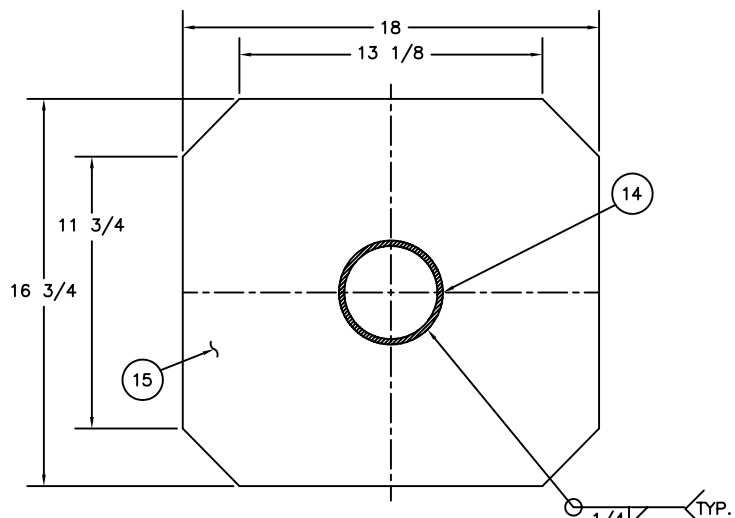
SECTION B-B
SCALE: 3"=1'-0"



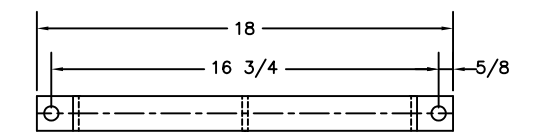
SECTION E-E
SCALE: HALF



ASSEMBLY VIEW
SCALE: 3"=1'-0"



SECTION C-C
SCALE: 3"=1'-0"



DETAIL A
SCALE: 3"=1'-0"
(FOR CLARITY, ITEM 13 NOT SHOWN)

BILL OF MATERIALS				
ITEM NO.	NO. REQ.	DESCRIPTION	MATL.	REMARKS
1	1	TOP PLATE	STEEL	21 OD x 12 ID x 1/4 THK.
2	2	LIFT EYE	STEEL	3/8 DIA. ROD
3	4	SET SCREW MOUNT	STEEL	2-1/2 x 2-1/2 x 1/2 L
4	4	SQUARE HEAD SET SCREW	STAIN. STEEL	5/8-11UNC x 3 LG. FULLY THREADED
5	8	LEG ANGLE	STEEL	1-1/4 x 1-1/4 x 1/4 L
6	2	BATTERY PLATE	STEEL	18 x 16-3/4 x 1/4 THK.
7	4	SIDE ANGLE	STEEL	1-1/4 x 1-1/4 x 1/4 L
8	2	HOLD DOWN BAR	STEEL	1-1/2 x 1/4 THK.
9	2	HOLD DOWN TAB	STEEL	1-1/2 x 1/4 THK.
10	2	BATTERY CUSHION	NEOPRENE	1-1/2 x 3/16 THK.
11	4	HEX HEAD BOLT	STAIN. STEEL	3/8-16UNC x 2 LG. FULLY THREADED
12	4	SPLIT RING LOCK WASHER	STAIN. STEEL	3/8 NOM.
13	4	HEX NUT	STAIN. STEEL	3/8 -16UNC
14	1	SUPPORT PIPE	STEEL	4 SCH. 40 PIPE SEE NOTE 2
15	1	BASE PLATE	STEEL	18 x 16-3/4 x 1/4 THK.

NOTES:

- THE ASSEMBLY VIEW SHOWS A BATTERY RACK THAT CAN ACCOMMODATE 4 BATTERIES. RACKS CAPABLE OF ACCOMMODATING 6 OR 8 BATTERIES MAY BE FABRICATED BY SHORTENING THE SUPPORT PIPE (ITEM 14) AND ADDING ADDITIONAL BATTERY "MODULES" (ITEMS 5-13).
- THE LENGTH OF ITEM 14 VARIES DEPENDING ON THE NUMBER OF BATTERIES AND THE BUOY TYPE. THE TABLE BELOW SPECIFIES THE PIPE LENGTH FOR VARIOUS SIZED RACKS FOR EACH BUOY TYPE:

BUOY TYPE	OVERALL RACK LENGTH	PIPE LENGTH (ITEM 14)		
		4 BATTERY RACK	6 BATTERY RACK	8 BATTERY RACK
9x35LWR	89 1/2"	62"	49 3/4"	37 1/2"
9x32LR	81 1/2"	54"	41 3/4"	29 1/2"
8x26LR/LWR	73 1/2"	46"	33 3/4"	21 1/2"
8x21LR	58 1/2"	31"	18 3/4"	6 1/2"
7x17LR	58 1/2"	31"	18 3/4"	6 1/2"
6x20LR	58 1/2"	31"	18 3/4"	6 1/2"

- APPLY EPOXY PRIMER IN ACCORDANCE WITH THE COATINGS SECTION OF THE LATEST REVISION OF U.S. COAST GUARD CIVIL ENGINEERING SPECIFICATION 464, "FABRICATION OF STEEL OCEAN BUOYS".

A	4-15-05	WD	MODIFIED DIMENSIONS OF ITEM 5.	S.M.
REV.	DATE	APPR.	DESCRIPTION	BY
DESIGNED:	S.M.		U.S. COAST GUARD	HEADQUARTERS
DRAWN:	S.M.		CIVIL ENGINEERING	
CHECKED:			22" & 24" BUOY POCKET	
REVIEWED BY:			BATTERY RACK	
PROJECT ENGINEER	Sean McEvoy			
REVIEWED BY:				
REVIEWED BY:	S. D. Walker			
REVIEWED BY:	G-SEC-2B			
REVIEWED BY:	R. J. Legier			
REVIEWED BY:	G-SEC-2			
APPROVED:	J. A. Rauch			DATE 6/29/98
APPROVED:	CHIEF, OFFICE OF CIVIL ENGINEERING			
UNLESS OTHERWISE SPECIFIED: ALL DIMENSIONS ARE IN INCHES. TOLERANCES: DIM. ±1/8 ANG. ±1°		DRAWING NUMBER		REV.
		121178		A
SCALE: AS NOTED		SHEET 1 OF 1		