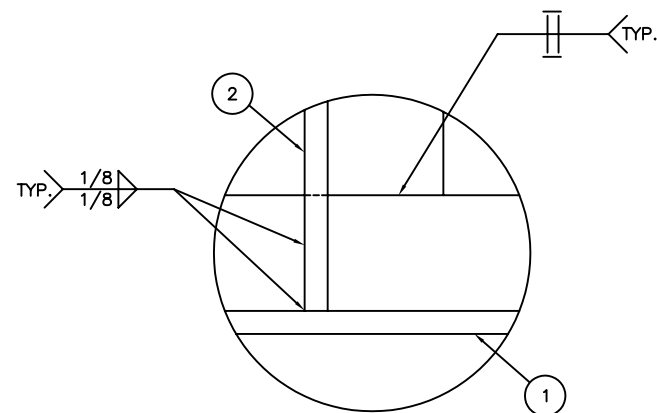
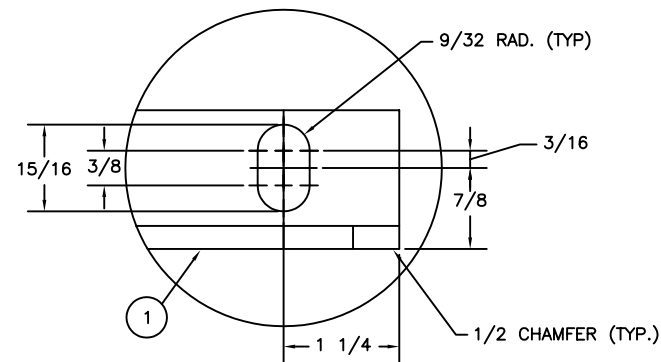


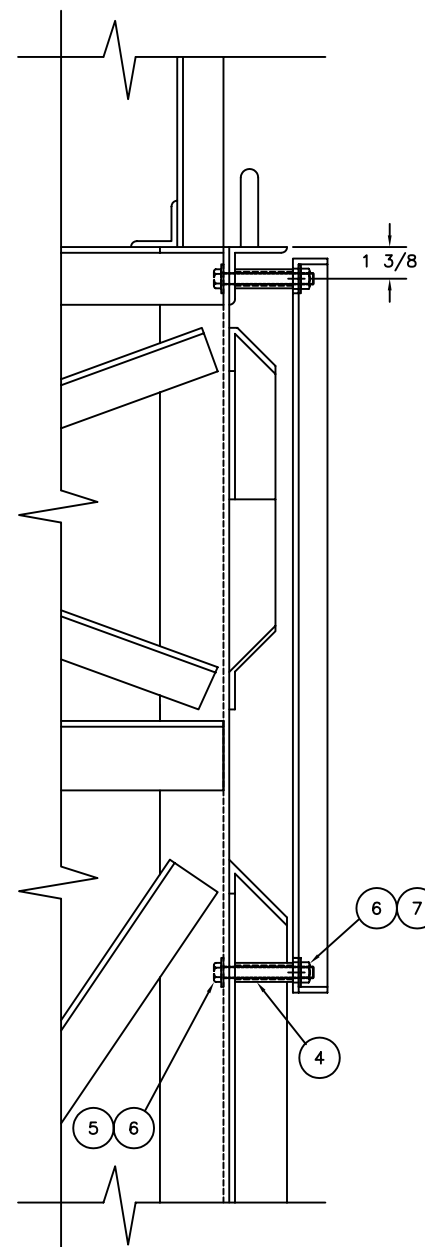
VERTICAL SOLAR PANEL FRAME
SCALE: 3"=1'-0"



DETAIL A
SCALE: FULL
(ITEM 3 HAS BEEN REMOVED FOR CLARITY.)



DETAIL B
SCALE: FULL



SIDE VIEW
SCALE: 3"=1'-0"
(THIS VIEW SHOWS THE FRAME ATTACHED TO THE 8x26LR TOWER)

BILL OF MATERIALS				
ITEM NO.	NO. REQ.	DESCRIPTION	MATL.	REMARKS
1	2	HORIZONTAL SUPPORT	STEEL or ALUM.	1 1/2 x 1 1/2 x 1/4 L.
2	2	VERTICAL SUPPORT	STEEL or ALUM.	1 1/2 x 1 1/2 x 1/4 L.
3	1	BACKING PLATE	STEEL or ALUM.	31 1/8 x 31 1/8 x 1/8 THK.
4	4	SPACER	PVC	1/2 SCH 40 PIPE x 2 1/2 LG.
5	4	HEX BOLT	STAIN. STEEL	1/3-13 UNC x 4 LG.
6	8	WASHERS	STAIN. STEEL	1/2-13 UNC
7	4	NYLOCK HEX NUT	STAIN. STEEL	1/2-13 UNC

NOTES:

- SEE LATEST REVISION OF U.S.C.G. CIVIL ENGINEERING SPECIFICATION No. 497 FOR FABRICATION DETAILS.

REV.	DATE	APPR.	DESCRIPTION	BY
DESIGNED:	S.M.		U.S. COAST GUARD	HEADQUARTERS
DRAWN:	S.M.		CIVIL ENGINEERING	
CHECKED:			VERTICALLY MOUNTED SOLAR PANEL FRAME FOR 8x26LR BUOY	
REVIEWED BY:	S. McEvoy			
PROJECT ENGINEER				
REVIEWED BY:	S. D. Walker			
G-SEC-2B				
REVIEWED BY:	R. J. Legier		J. A. Rauch	5/11/99
G-SEC-2			CHIEF, OFFICE OF CIVIL ENGINEERING	
UNLESS OTHERWISE SPECIFIED: ALL DIMENSIONS ARE IN INCHES. TOLERANCES: DIM. ±1/8 ANG. ±1°			DRAWING NUMBER	REV.
			121179	
PLOTING SCALE: 3"=1'-0"			SCALE: AS NOTED	SHEET 1 OF 1