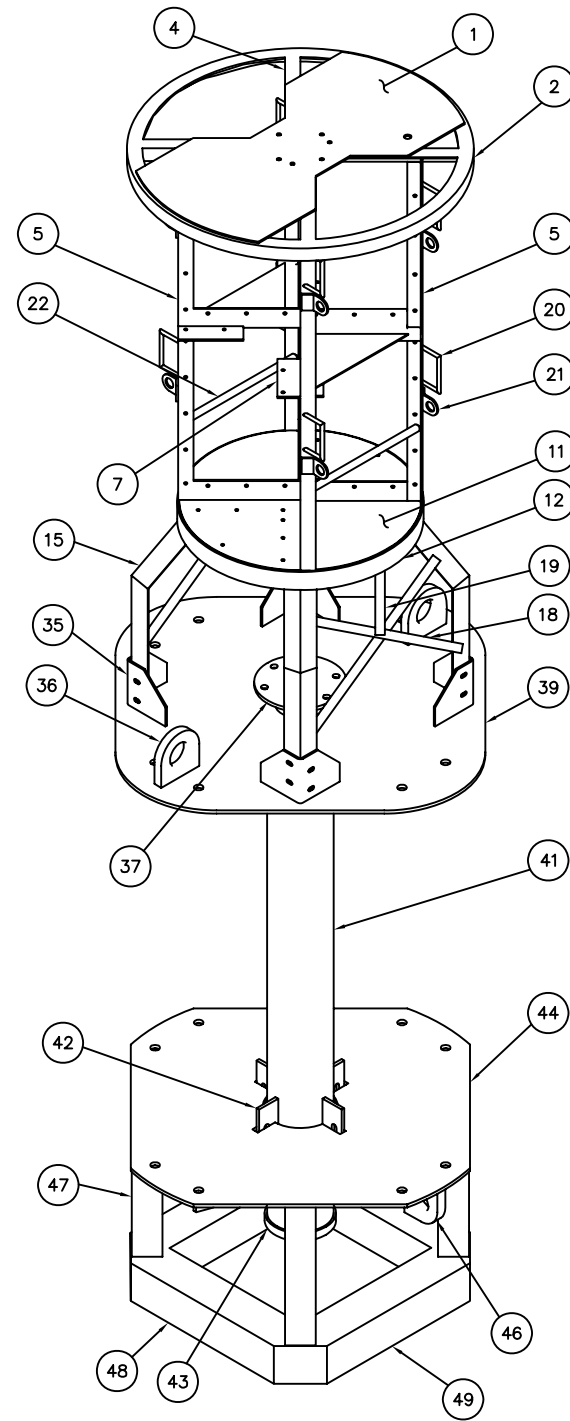
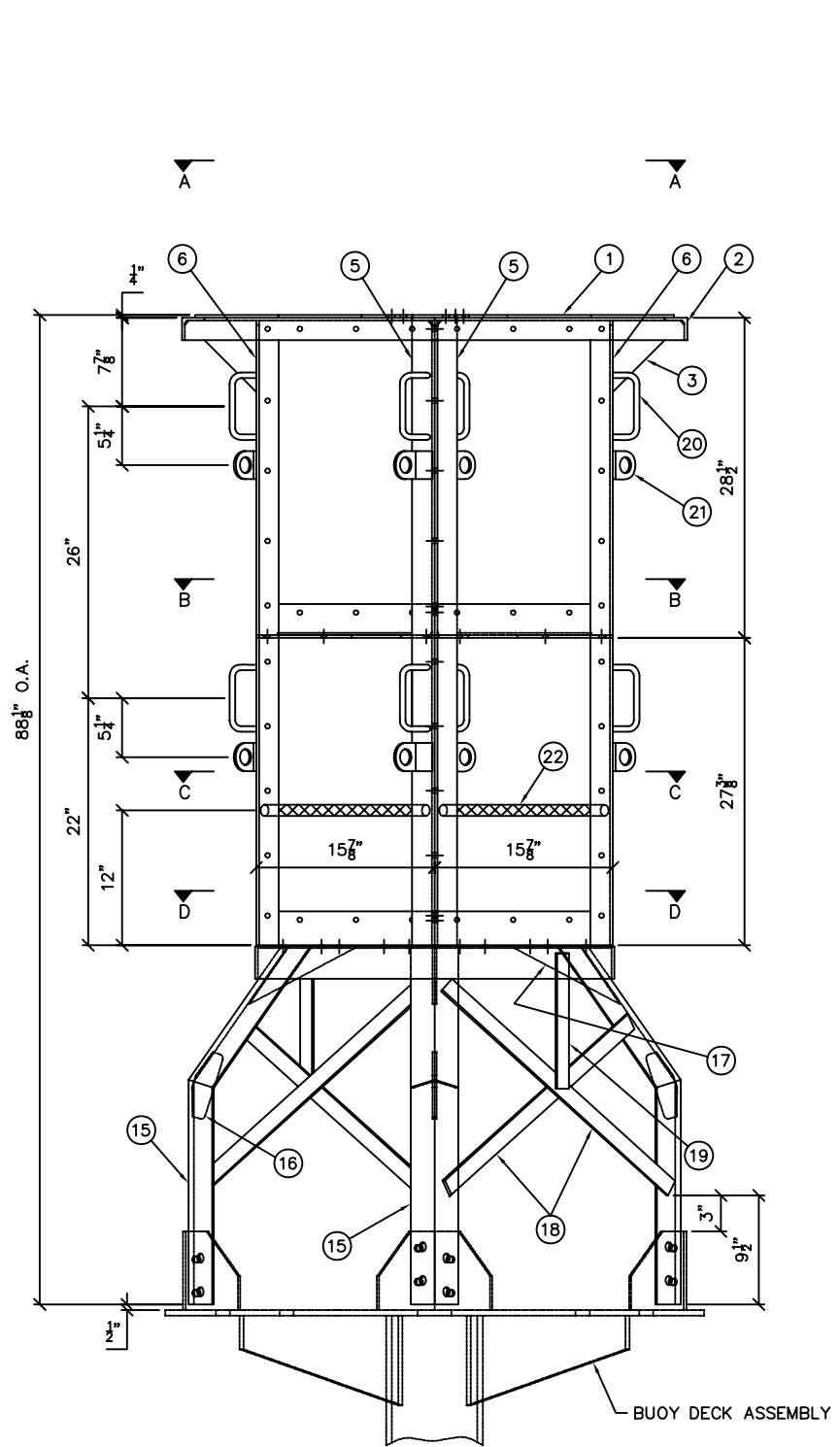


6x16 LFR
ASSEMBLY VIEW
SCALE: 1"=1'-0"

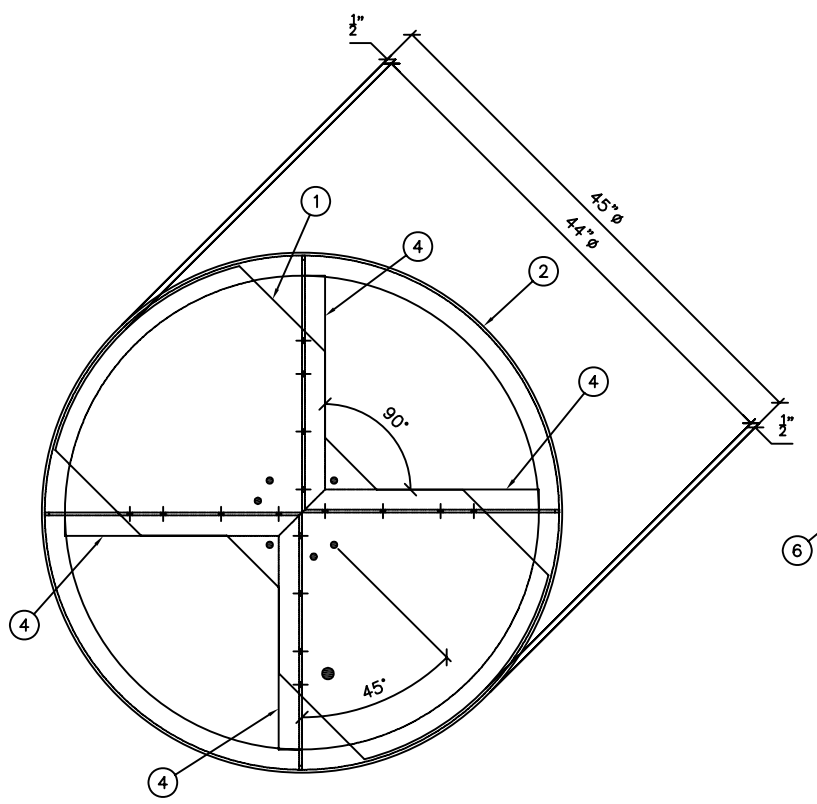


6x16 LFR
ISOMETRIC STRUCTURAL VIEW
SCALE: NONE

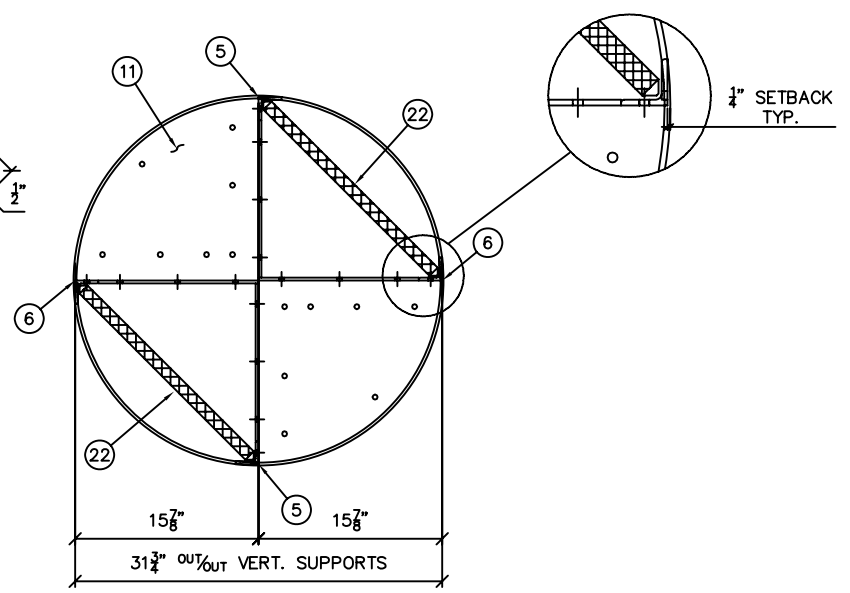
REV.	DATE	APPR.	DESCRIPTION	BY
DESIGNED:			U.S. COAST GUARD	HEADQUARTERS
DRAWN:	S.M.		CIVIL ENGINEERING	
TRACED:			2007 TYPE	
CHECKED:			6x16 LFR BUOY	
REVIEWED BY:				
Sean McEvoy PROJECT ENGINEER CG-432B				
Dianna Bo REVIEWED BY: CG-432B				
REVIEWED BY:	S.D. Walker	APPROVED:	S.D. Walker, acting	DATE
CG-432		CHIEF, OFFICE OF CIVIL ENGINEERING		12/11/07
UNLESS OTHERWISE SPECIFIED: ALL DIMENSIONS ARE IN INCHES. TOLERANCES: DIM. $\pm 1/32$ ANG. $\pm 1^\circ$			DRAWING NUMBER	REV.
			121184	
SCALE: NONE			SHEET 1	OF 10



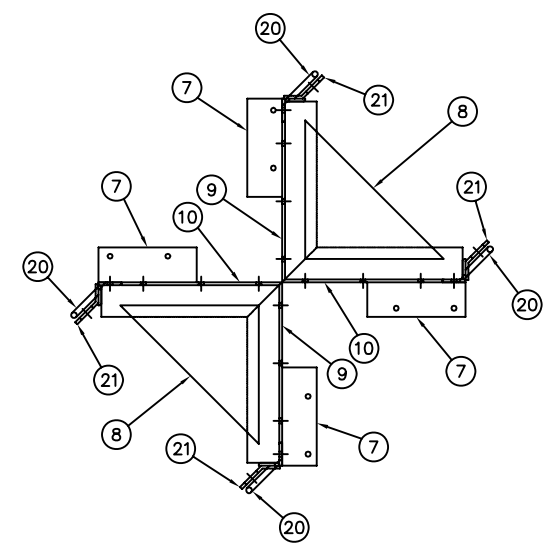
TOWER ASSEMBLY
 SCALE: 1-1/2"=1'-0"



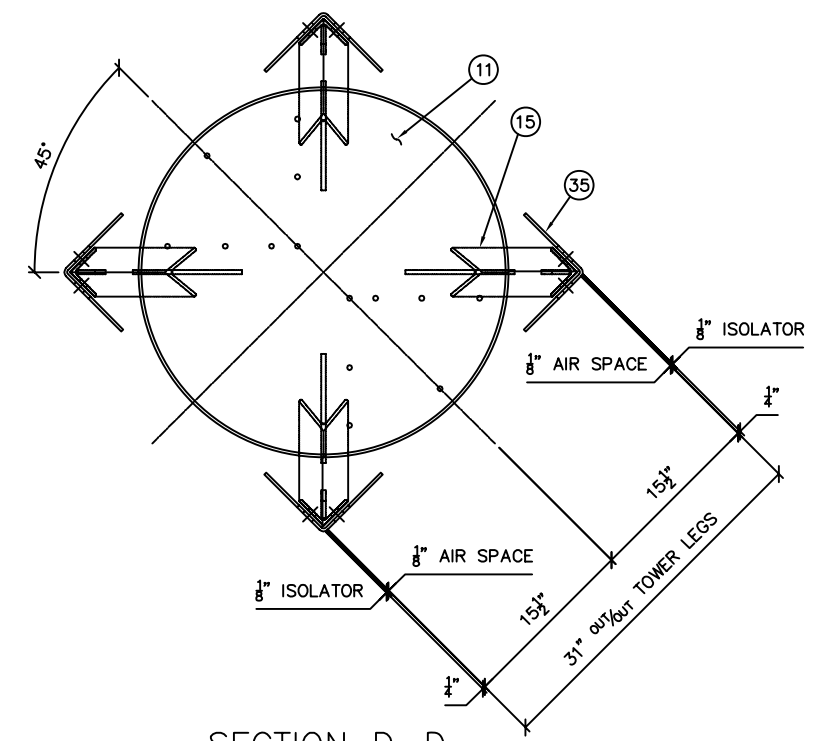
SECTION A-A
 SCALE: 1-1/2"=1'-0"



SECTION C-C
 SCALE: 1-1/2"=1'-0"

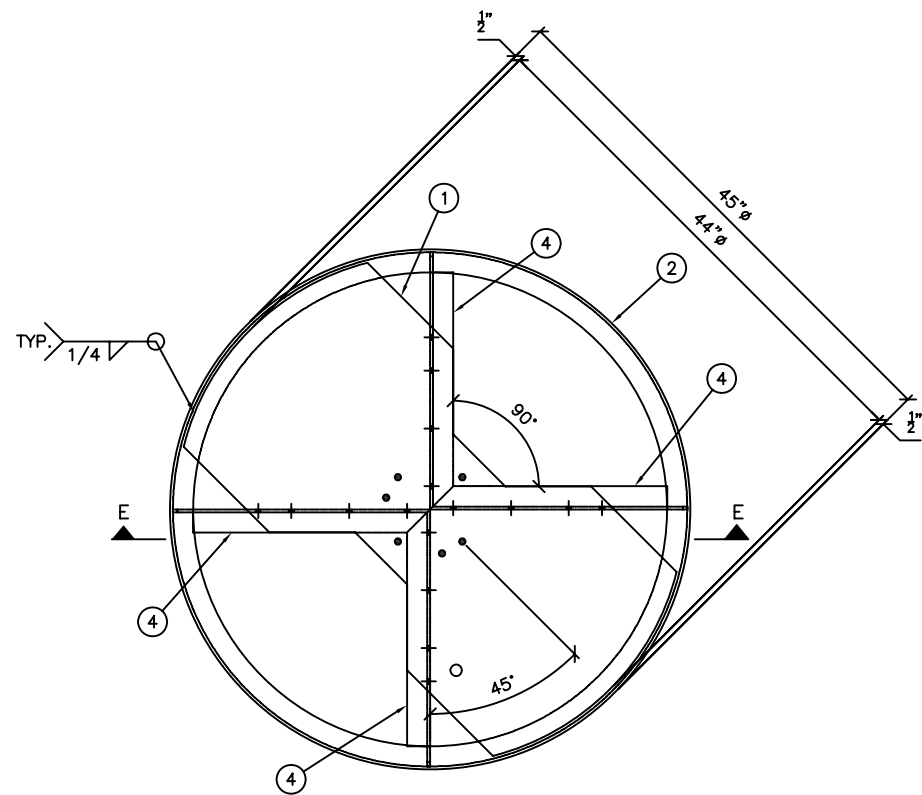


SECTION B-B
 SCALE: 1-1/2"=1'-0"

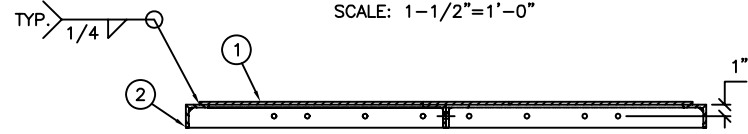


SECTION D-D
 SCALE: 1-1/2"=1'-0"

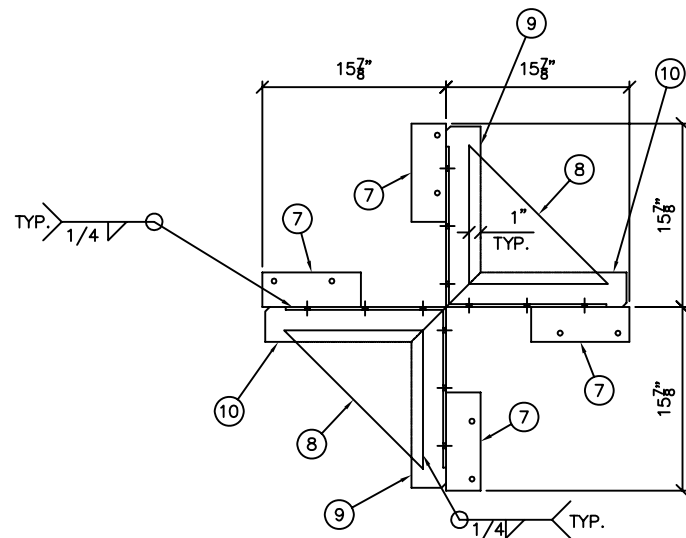
REV.	DATE	APPR.	DESCRIPTION	BY
DESIGNED:			U.S. COAST GUARD	HEADQUARTERS
DRAWN:	S.M.		OCEAN ENGINEERING	
TRACED:			2007 TYPE	
CHECKED:			6x16 LFR BUOY	
REVIEWED BY:				
Sean McEvoy PROJECT ENGINEER				
Dianna Bo CG-432B				
REVIEWED BY:		APPROVED:	S.D. Walker, acting	DATE 12/11/07
S.D. Walker CG-432			CHIEF, OFFICE OF CIVIL ENGINEERING	
UNLESS OTHERWISE SPECIFIED: ALL DIMENSIONS ARE IN INCHES. TOLERANCES: DIM. $\pm 1/32$ ANG. $\pm 1^\circ$		DRAWING NUMBER	121184	REV.
		SCALE:	AS NOTED	SHEET 2 of 10



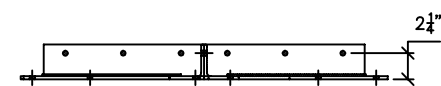
SECTION A-A
SCALE: 1-1/2"=1'-0"



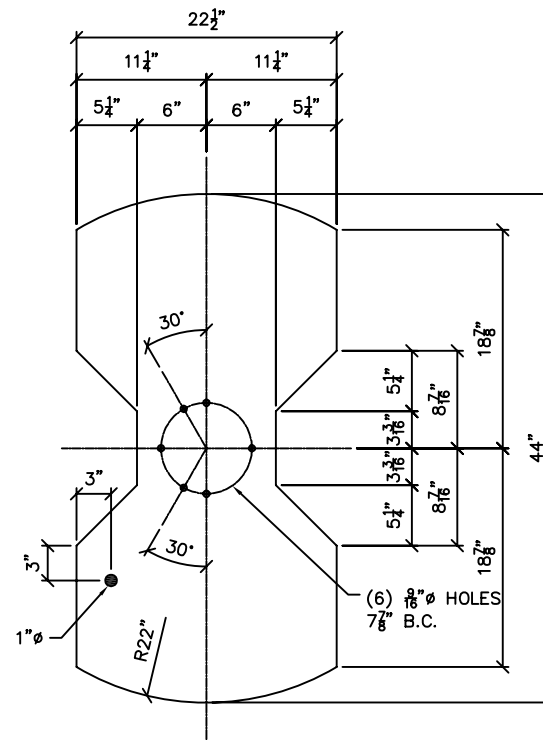
SECTION E-E
SCALE: 1-1/2"=1'-0"



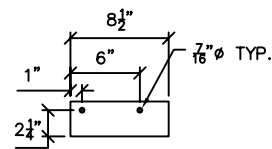
TOWER MIDDLE ASSEMBLY
SCALE: 1-1/2"=1'-0"



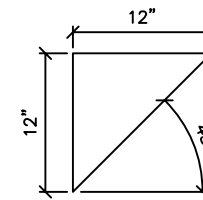
ELEVATION
SCALE: 1-1/2"=1'-0"



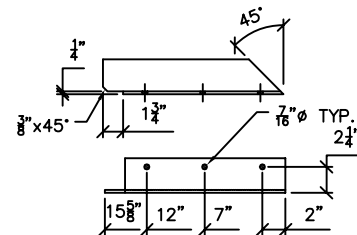
1 TOP PLATE
SCALE: 1-1/2"=1'-0"



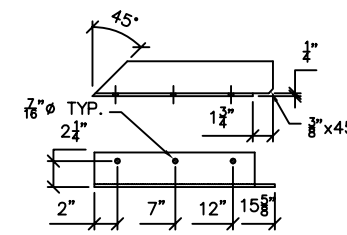
7 MIDDLE PLATE
SCALE: 1-1/2"=1'-0"



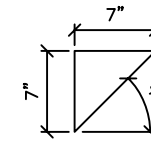
8 MIDDLE GUSSET
SCALE: 1-1/2"=1'-0"



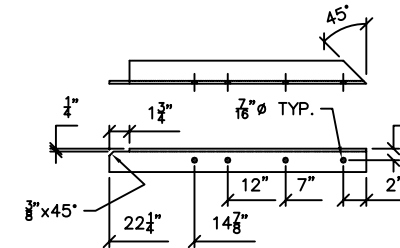
9 LH MIDDLE SUPPORT
SCALE: 1-1/2"=1'-0"



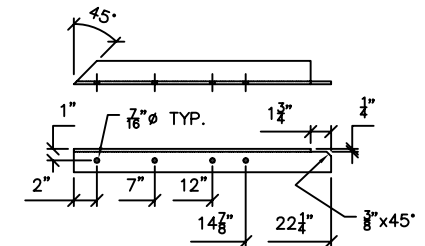
10 RIGHT MIDDLE SUPPORT
SCALE: 1-1/2"=1'-0"



3 TOP GUSSET
SCALE: 1-1/2"=1'-0"

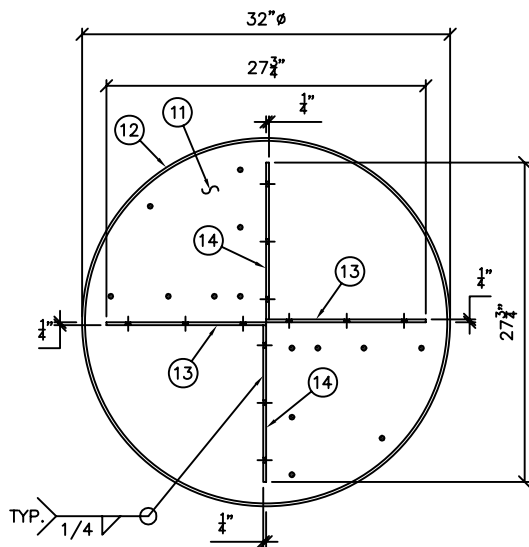


4 RIGHT TOP SUPPORT
SCALE: 1-1/2"=1'-0"



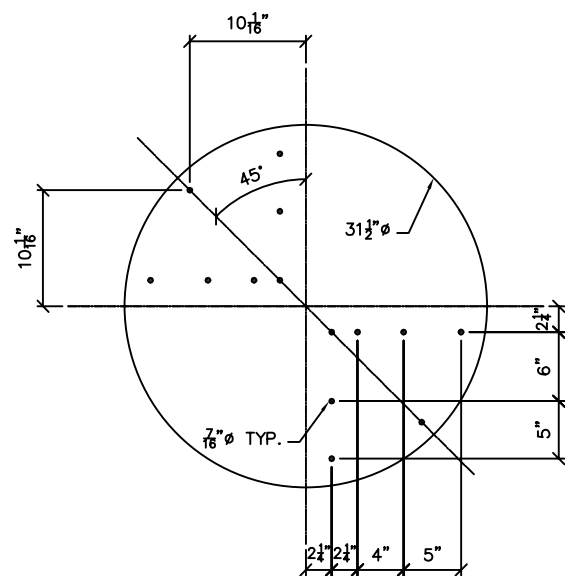
4 LEFT TOP SUPPORT
SCALE: 1-1/2"=1'-0"

REV.	DATE	APPR.	DESCRIPTION	BY
DESIGNED:			U.S. COAST GUARD	HEADQUARTERS
DRAWN:	S.M.		OCEAN ENGINEERING	
TRACED:			2007 TYPE	
CHECKED:			6x16 LFR BUOY	
REVIEWED BY:				
			Sean McEvoy PROJECT ENGINEER	
			Dianna Bo CG-432B	
REVIEWED BY:			APPROVED:	DATE
			S.D. Walker, acting	12/11/07
			CG-432 CHIEF, OFFICE OF CIVIL ENGINEERING	
UNLESS OTHERWISE SPECIFIED: ALL DIMENSIONS ARE IN INCHES. TOLERANCES: DIM. ±1/32 ANG. ±1°			DRAWING NUMBER	REV.
			121184	
PLOTING SCALE: 1-1/2"=1'-0"			SCALE: AS NOTED	SHEET 3 OF 10



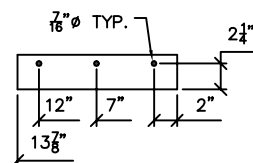
BOTTOM PLATE ASSEMBLY

SCALE: 1-1/2"=1'-0"



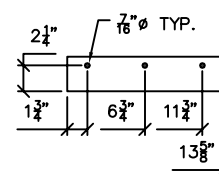
11 BOTTOM PLATE

SCALE: 1-1/2"=1'-0"



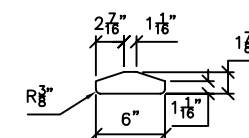
13 LH HOR SUPPORT

SCALE: 1-1/2"=1'-0"



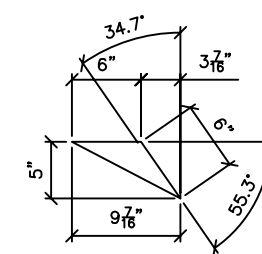
14 RH HOR SUPPORT

SCALE: 1-1/2"=1'-0"



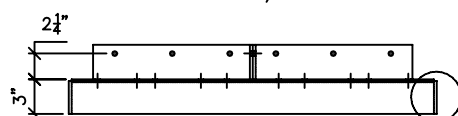
16 LEG GUSSET

SCALE: 1-1/2"=1'-0"



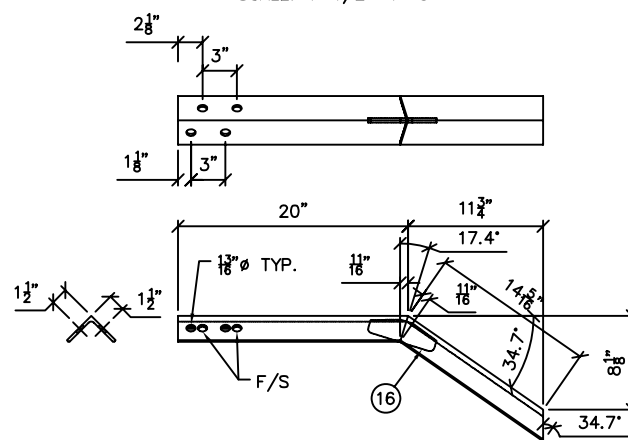
17 BOTTOM GUSSET

SCALE: 1-1/2"=1'-0"



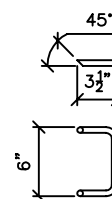
ELEVATION

SCALE: 1-1/2"=1'-0"



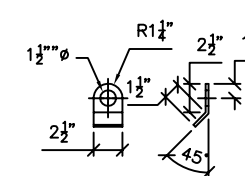
15 TOWER LEG

SCALE: 1-1/2"=1'-0"



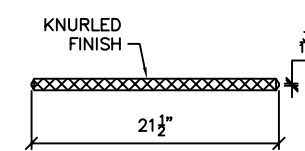
20 HANDLE

SCALE: 1-1/2"=1'-0"



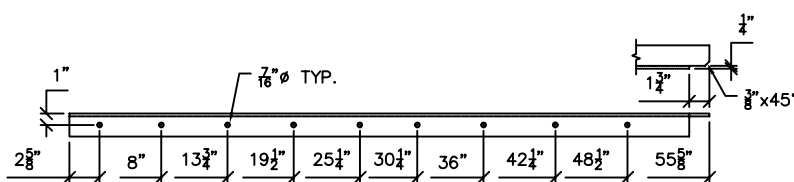
21 CLEVIS

SCALE: 1-1/2"=1'-0"



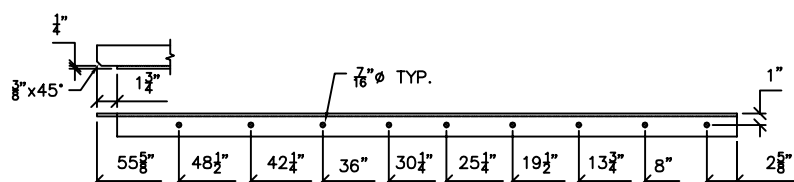
22 LADDER RUNG

SCALE: 1-1/2"=1'-0"



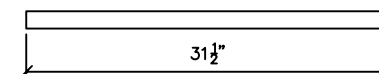
5 LEFT VERT SUPPORT

SCALE: 1-1/2"=1'-0"



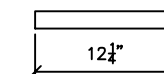
6 RIGHT VERT SUPPORT

SCALE: 1-1/2"=1'-0"



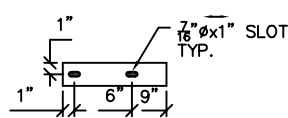
18 X-BRACE

SCALE: 1-1/2"=1'-0"



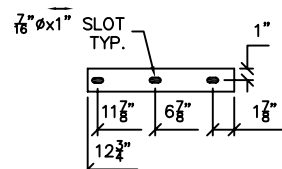
19 LEG BRACE

SCALE: 1-1/2"=1'-0"



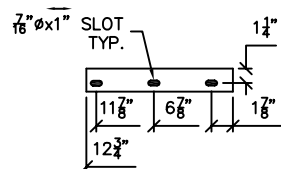
23 WASHER PLATE

SCALE: 1-1/2"=1'-0"



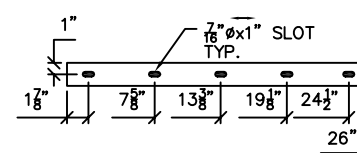
24 WASHER PLATE

SCALE: 1-1/2"=1'-0"



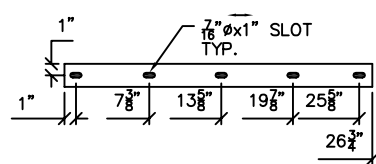
25 WASHER PLATE

SCALE: 1-1/2"=1'-0"



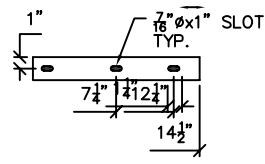
26 WASHER PLATE

SCALE: 1-1/2"=1'-0"



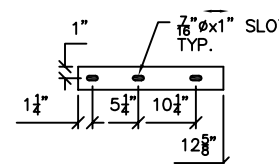
27 WASHER PLATE

SCALE: 1-1/2"=1'-0"



28 WASHER PLATE

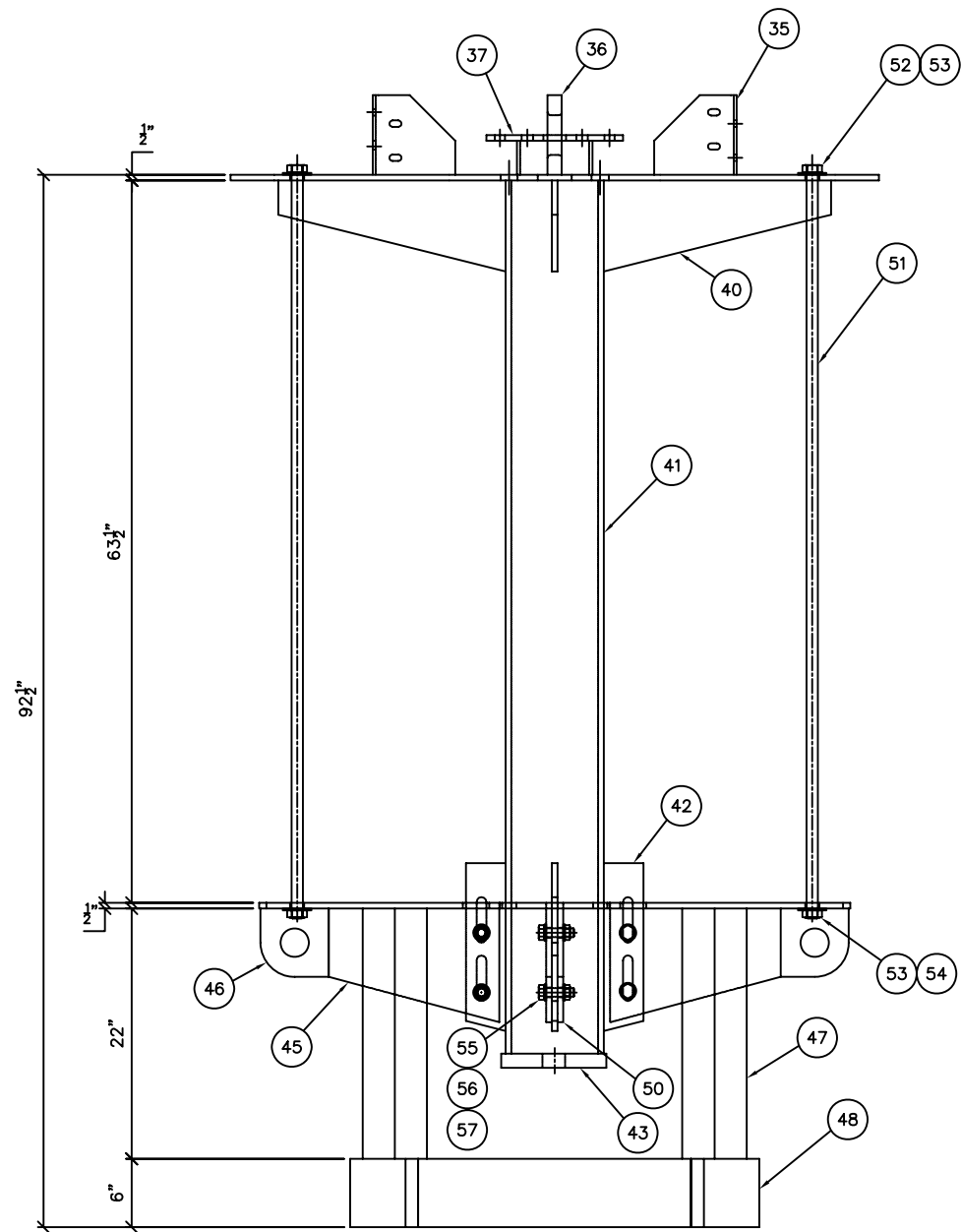
SCALE: 1-1/2"=1'-0"



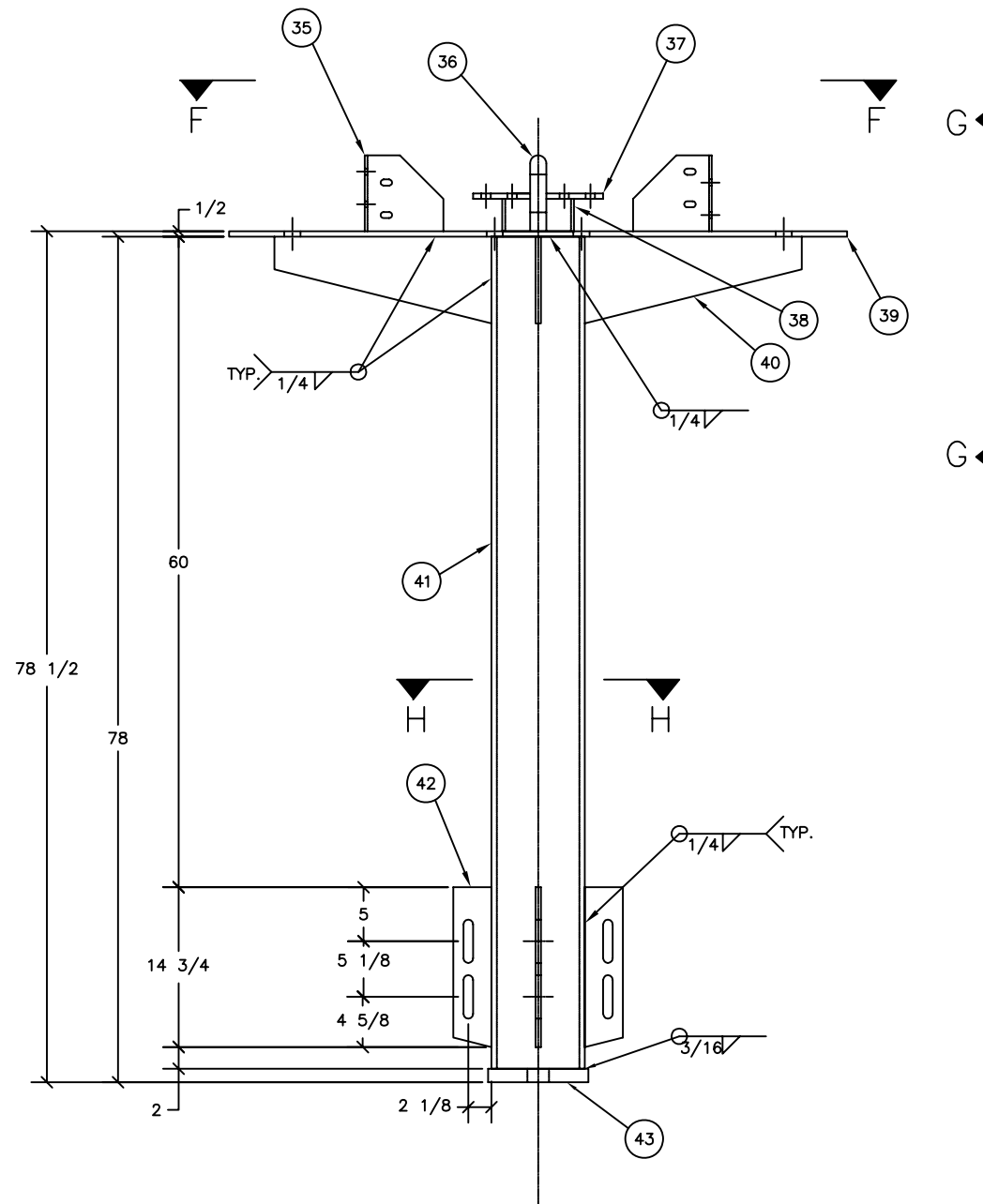
29 WASHER PLATE

SCALE: 1-1/2"=1'-0"

REV.	DATE	APPR.	DESCRIPTION	BY
DESIGNED:	U.S. COAST GUARD			HEADQUARTERS
DRAWN:	OCEAN ENGINEERING			
TRACED:	2007 TYPE			
CHECKED:	6x16 LFR BUOY			
REVIEWED BY:				
Sean McEvoy				
PROJECT ENGINEER				
REVIEWED BY:				
Dianna Bo				
CG-432B				
REVIEWED BY:	APPROVED:	S.D. Walker, acting		DATE
S.D. Walker	CG-432			12/11/07
UNLESS OTHERWISE SPECIFIED: ALL DIMENSIONS ARE IN INCHES. TOLERANCES: DIM. ±1/32 ANG. ±1°				DRAWING NUMBER
				121184
				REV.
				SCALE: AS NOTED SHEET 4 OF 10

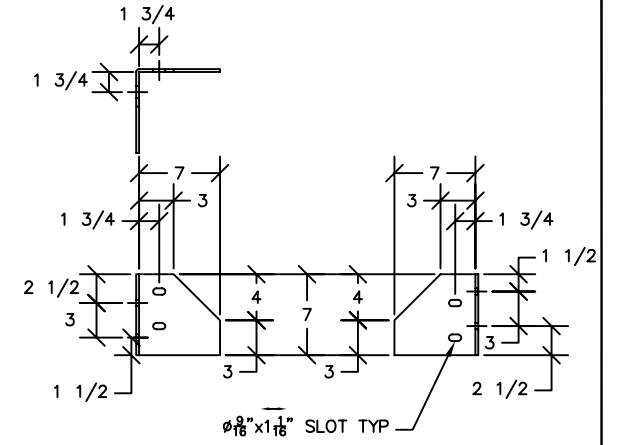
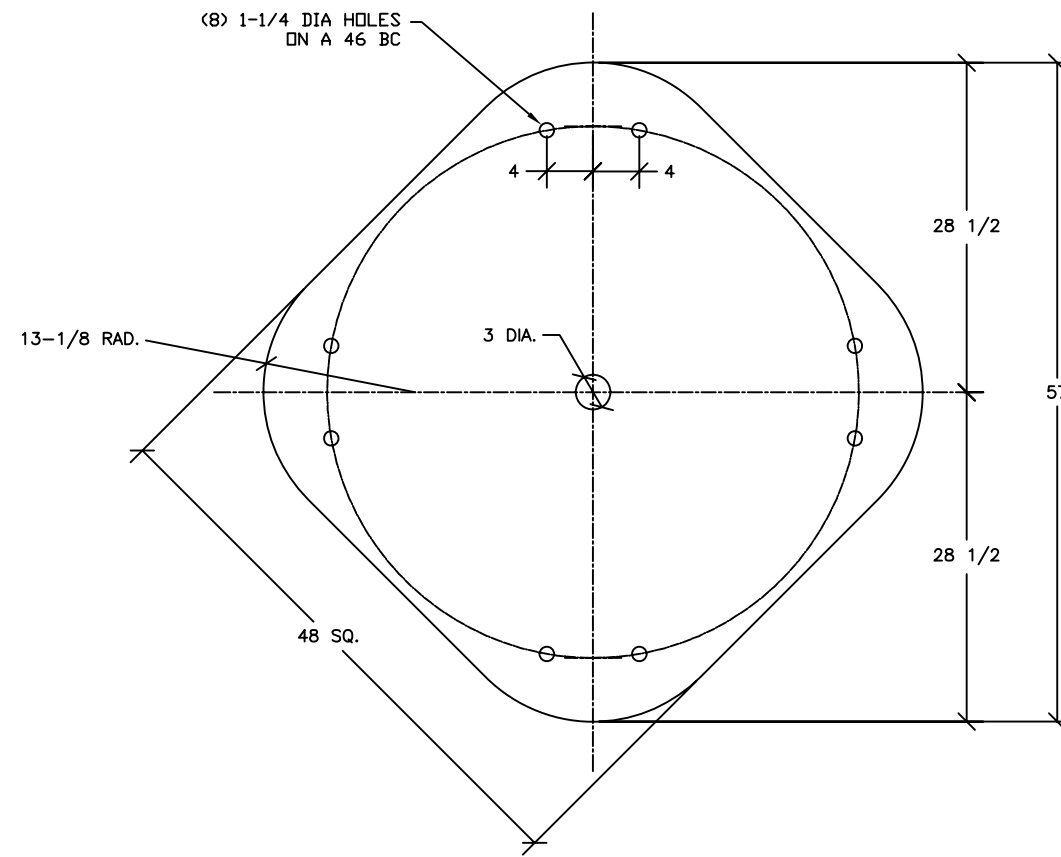
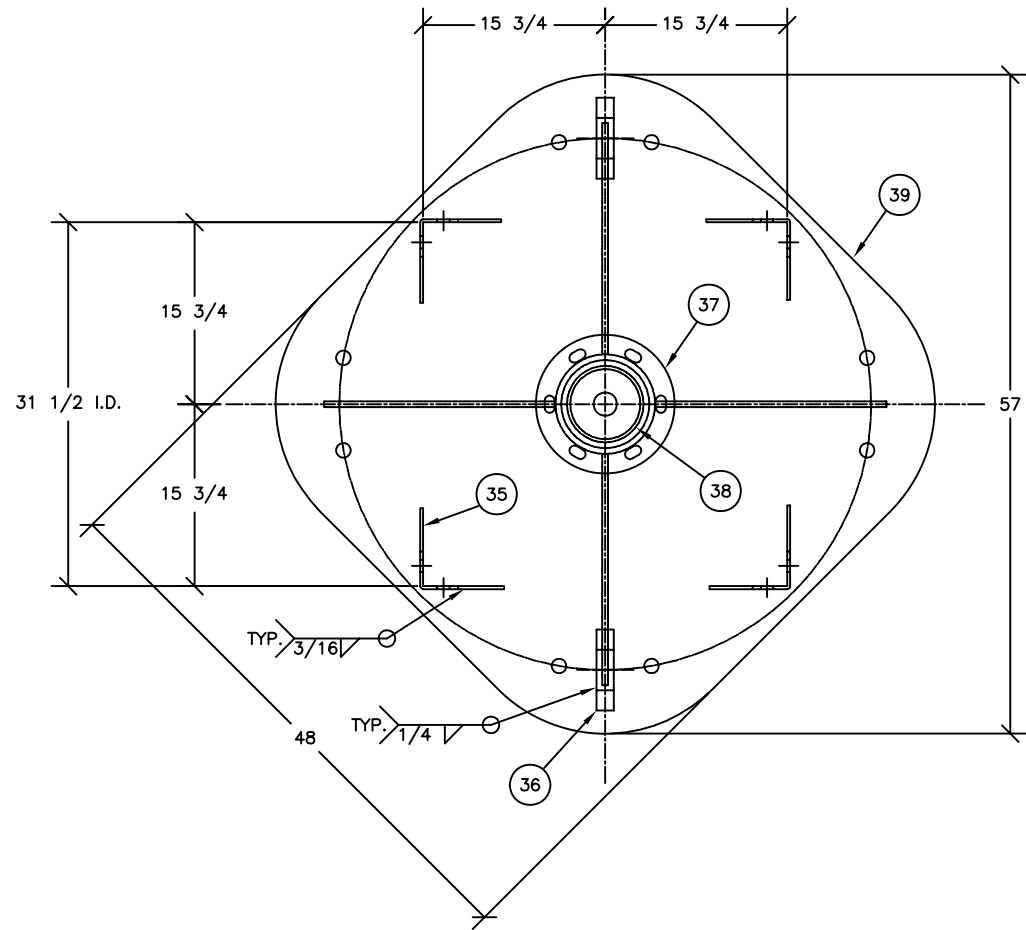


BUOY BASE ASSEMBLY
SCALE: 1-1/2"=1'-0"

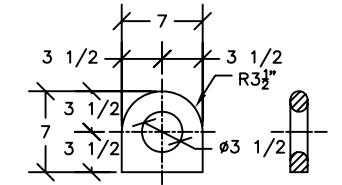


CENTER PIPE ASSEMBLY
SCALE: 1-1/2"=1'-0"

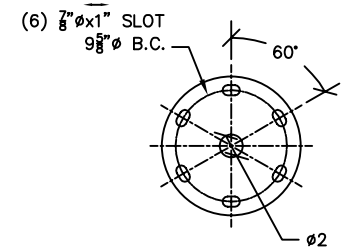
REV.	DATE	APPR.	DESCRIPTION	BY
DESIGNED:			U.S. COAST GUARD	HEADQUARTERS
DRAWN:	S.M.		OCEAN ENGINEERING	
TRACED:			2007 TYPE	
CHECKED:			6x16 LFR BUOY	
REVIEWED BY:				
Sean McEvoy PROJECT ENGINEER				
REVIEWED BY:				
Dianna Bo CG-432B				
REVIEWED BY:		APPROVED:	S.D. Walker, acting	DATE
S.D. Walker CG-432			CHIEF, OFFICE OF CIVIL ENGINEERING	12/11/07
UNLESS OTHERWISE SPECIFIED: ALL DIMENSIONS ARE IN INCHES. TOLERANCES: DIM. ±1/32 ANG. ±1°			DRAWING NUMBER	REV.
			121184	
PLOTting SCALE: 1-1/2"=1'-0"			SCALE: AS NOTED	SHEET 5 of 10



35 TOWER FOOT
SCALE: 1-1/2"=1'-0"

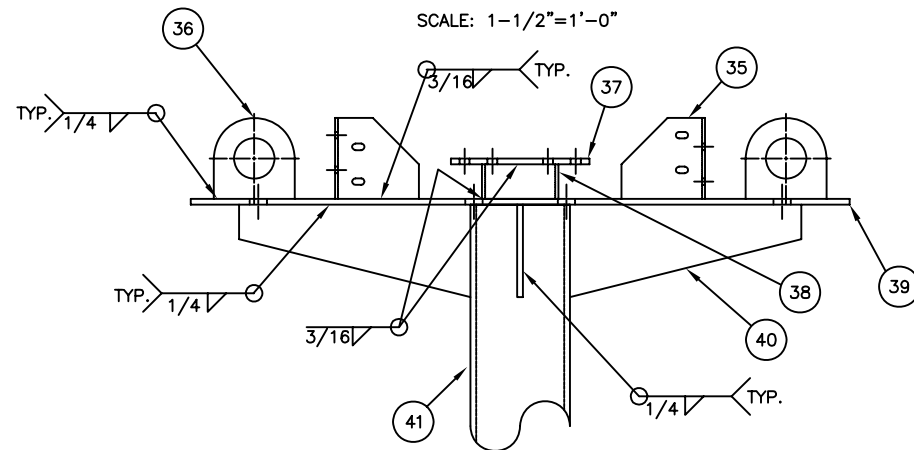


36 LIFTING BAIL
SCALE: 1-1/2"=1'-0"

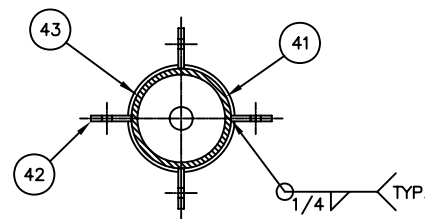


37 MOUNTING FLANGE
SCALE: 1-1/2"=1'-0"

SECTION F-F
SCALE: 1-1/2"=1'-0"

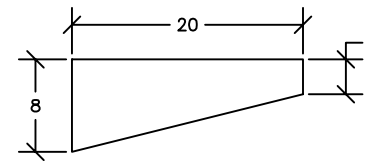


SECTION G-G
SCALE: 1-1/2"=1'-0"

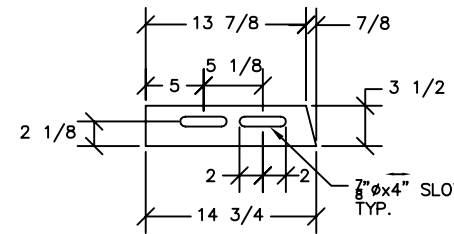


SECTION H-H
SCALE: 1-1/2"=1'-0"

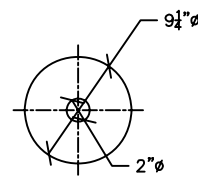
39 DECK PLATE
SCALE: 1-1/2"=1'-0"



40 DECK PLATE GUSSET
SCALE: 1-1/2"=1'-0"

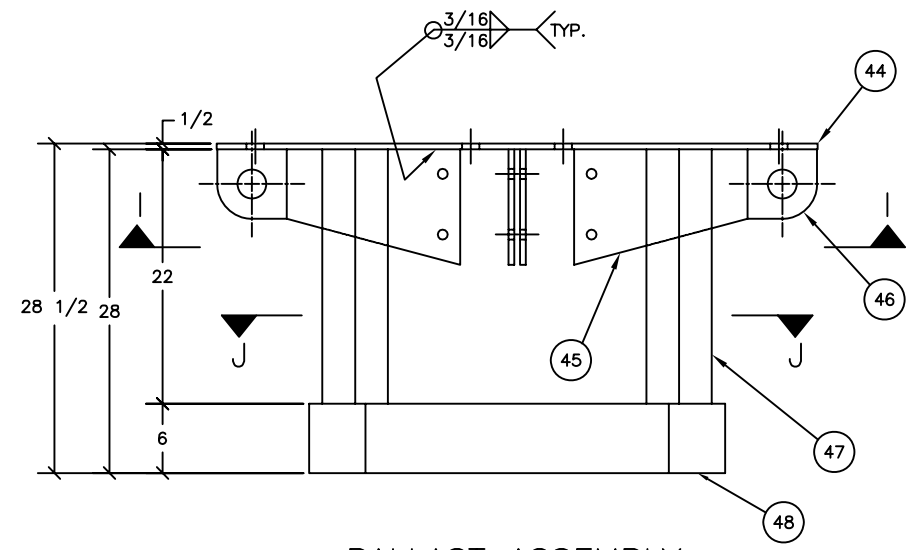


42 CENTER PIPE TAB
SCALE: 1-1/2"=1'-0"

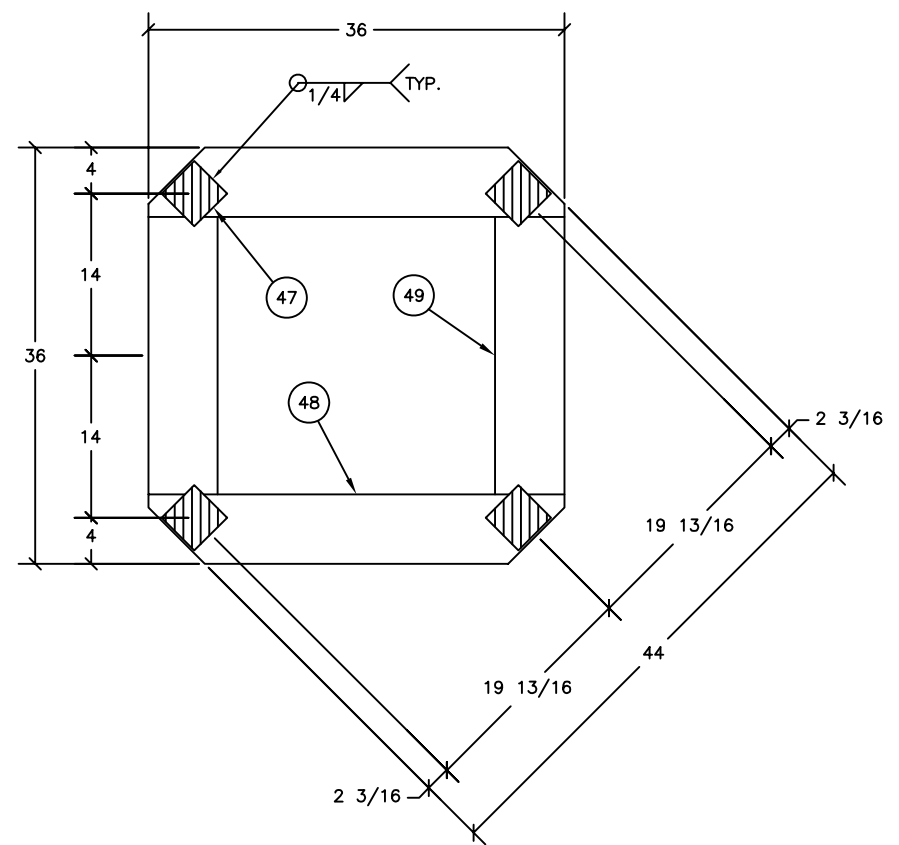


43 CENTER PIPE PLATE
SCALE: 1-1/2"=1'-0"

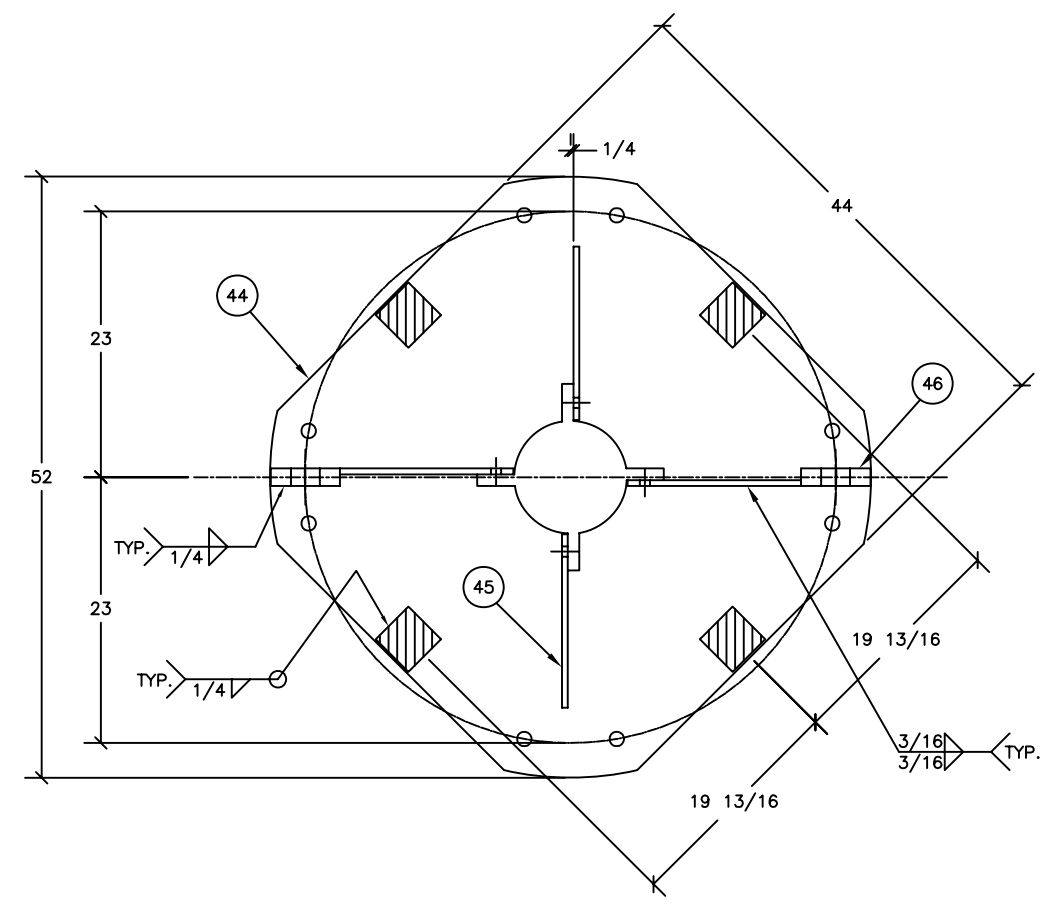
REV.	DATE	APPR.	DESCRIPTION	BY
DESIGNED:			U.S. COAST GUARD	HEADQUARTERS
DRAWN:	S.M.		OCEAN ENGINEERING	
TRACED:			2007 TYPE	
CHECKED:			6x16 LFR BUOY	
REVIEWED BY:				
Sean McEvoy PROJECT ENGINEER				
Dianna Bo CG-432B				
REVIEWED BY:		APPROVED:	S.D. Walker, acting	DATE 12/11/07
S.D. Walker CG-432			CHIEF, OFFICE OF CIVIL ENGINEERING	
UNLESS OTHERWISE SPECIFIED: ALL DIMENSIONS ARE IN INCHES. TOLERANCES: DIM. ±1/32 ANG. ±1°			DRAWING NUMBER 121184	REV.
PLOTING SCALE: 1-1/2"=1'-0"			SCALE: AS NOTED	SHEET 6 of 10



BALLAST ASSEMBLY
SCALE: 1-1/2"=1'-0"

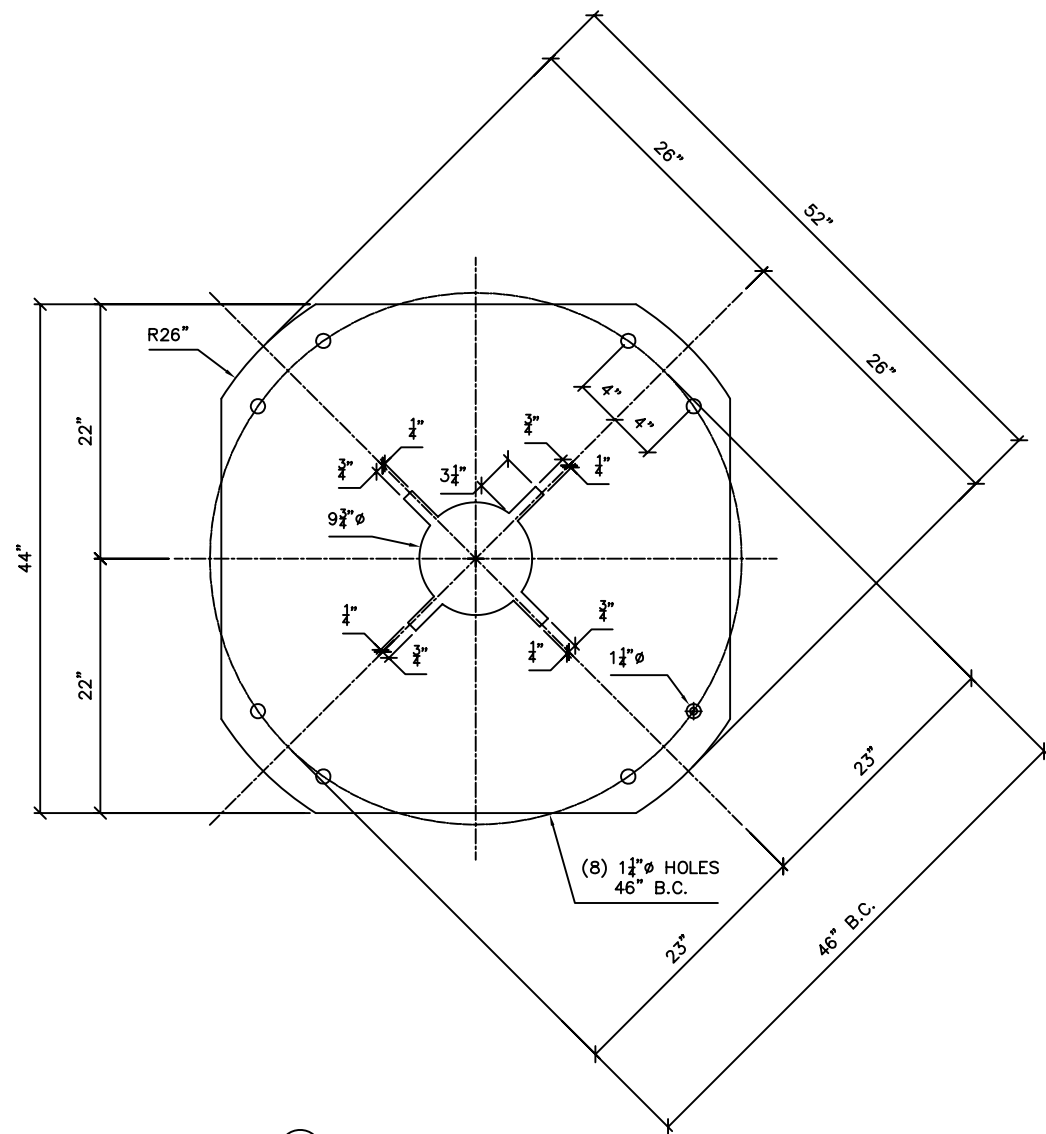


SECTION J-J
SCALE: 1-1/2"=1'-0"

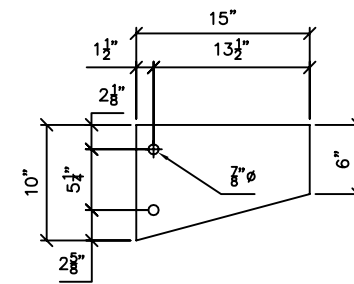


SECTION I-I
SCALE: 1-1/2"=1'-0"

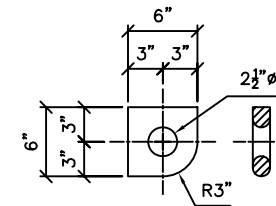
REV.	DATE	APPR.	DESCRIPTION	BY
DESIGNED:			U.S. COAST GUARD	HEADQUARTERS
DRAWN:	S.M.		OCEAN ENGINEERING	
TRACED:			2007 TYPE	
CHECKED:			6x16 LFR BUOY	
REVIEWED BY:				
Sean McEvoy PROJECT ENGINEER CG-432B				
REVIEWED BY:				
Dianna Bo CG-432				
REVIEWED BY:				
S.D. Walker CG-432				
APPROVED:			S.D. Walker, acting	DATE
			CHIEF, OFFICE OF CIVIL ENGINEERING	12/11/07
UNLESS OTHERWISE SPECIFIED: ALL DIMENSIONS ARE IN INCHES. TOLERANCES: DIM. ±1/32 ANG. ±1°			DRAWING NUMBER	REV.
			121184	
PLOTING SCALE: 1-1/2"=1'-0"			SCALE: AS NOTED	SHEET 7 of 10



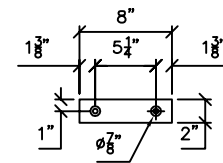
44 BOTTOM PLATE
SCALE: 1-1/2"=1'-0"



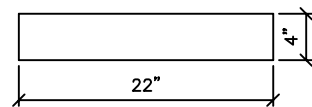
45 BOTTOM PLATE BRACE
SCALE: 1-1/2"=1'-0"



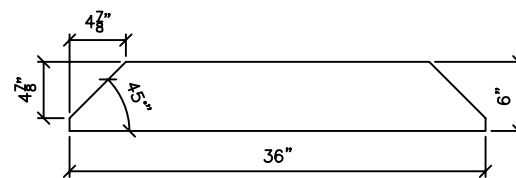
46 MOORING BAIL
SCALE: 1-1/2"=1'-0"



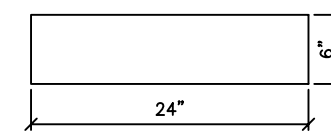
50 WASHER PLATE
SCALE: 1-1/2"=1'-0"



47 BALLAST LEG
SCALE: 1-1/2"=1'-0"

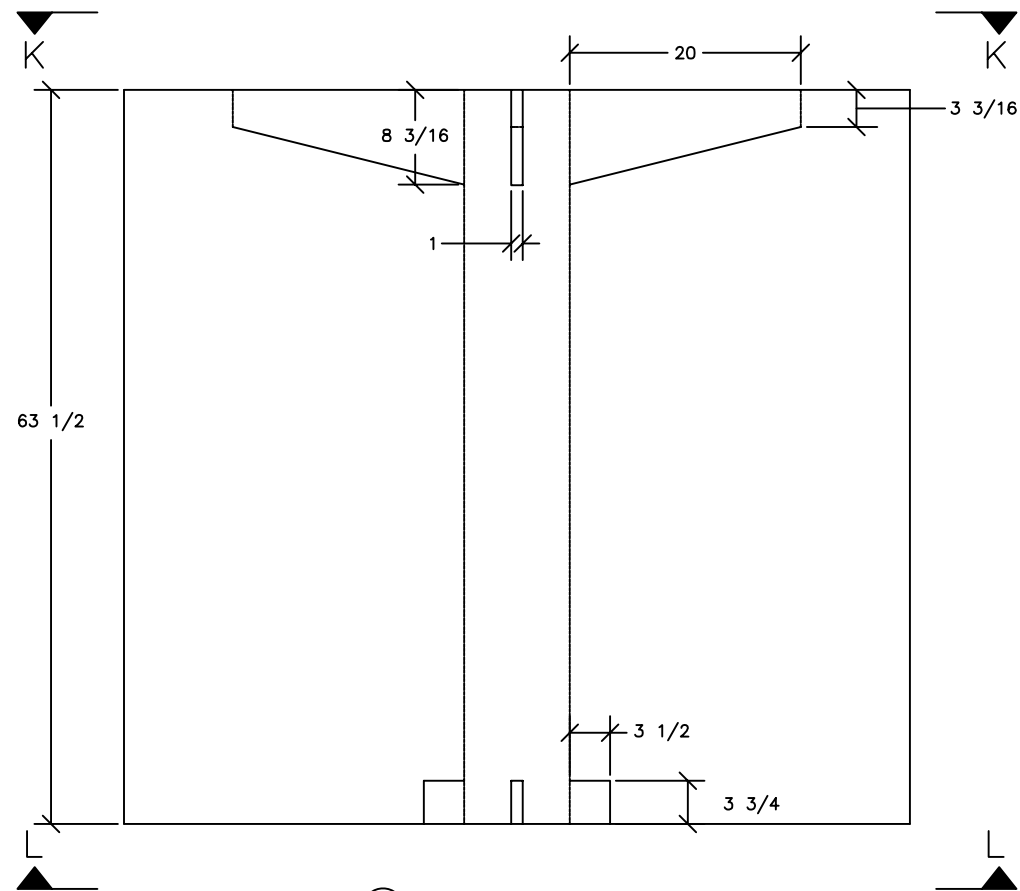


47 BALLAST BASE
SCALE: 1-1/2"=1'-0"

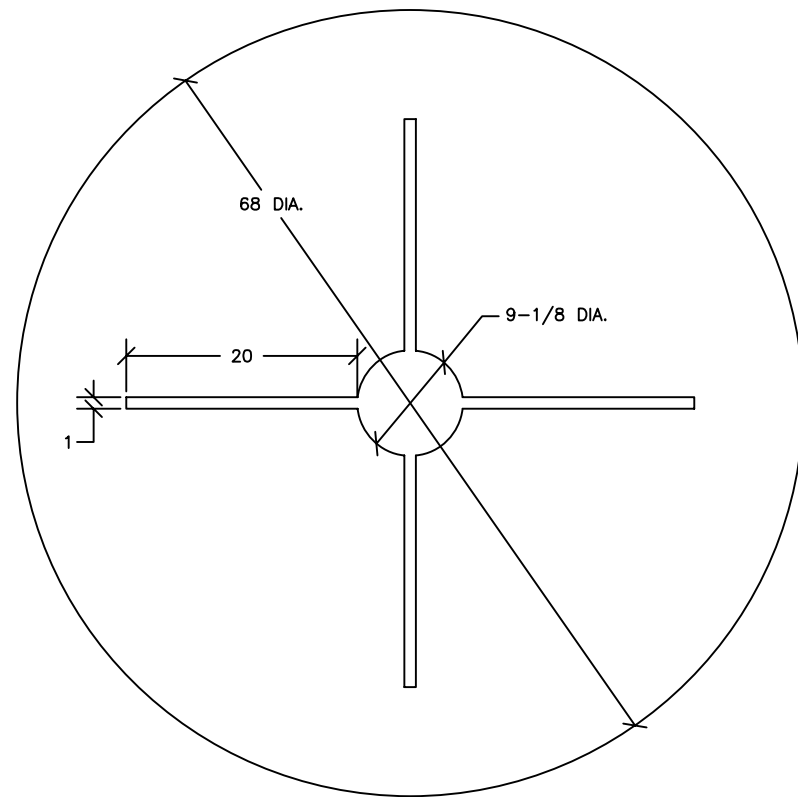


47 BALLAST BASE
SCALE: 1-1/2"=1'-0"

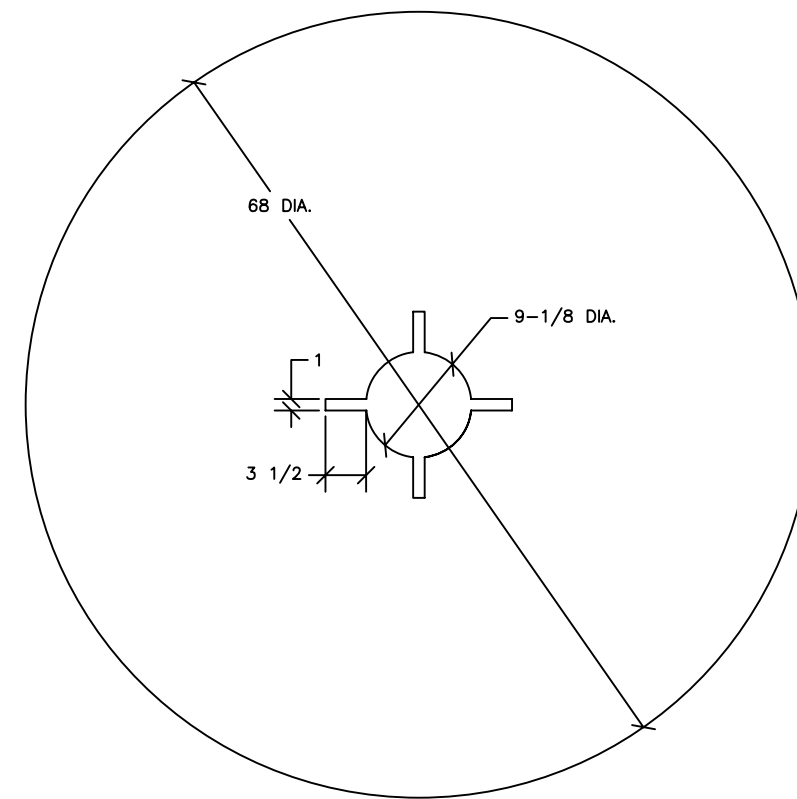
REV.	DATE	APPR.	DESCRIPTION	BY
DESIGNED:			U.S. COAST GUARD	HEADQUARTERS
DRAWN:	S.M.		CIVIL ENGINEERING	
TRACED:			2007 TYPE	
CHECKED:			6x16 LFR BUOY	
REVIEWED BY:				
PROJECT ENGINEER				
REVIEWED BY:				
Dianna Bo				
CG-432B				
REVIEWED BY:		APPROVED:	S.D. Walker, acting	DATE
S.D. Walker		CG-432	CHIEF, OFFICE OF CIVIL ENGINEERING	12/11/07
UNLESS OTHERWISE SPECIFIED: ALL DIMENSIONS ARE IN INCHES. TOLERANCES: DIM. ±1/32 ANG. ±1°			DRAWING NUMBER	REV.
			121184	
PLOTING SCALE: 1-1/2"=1'-0"			SCALE: NONE	SHEET 8 of 10



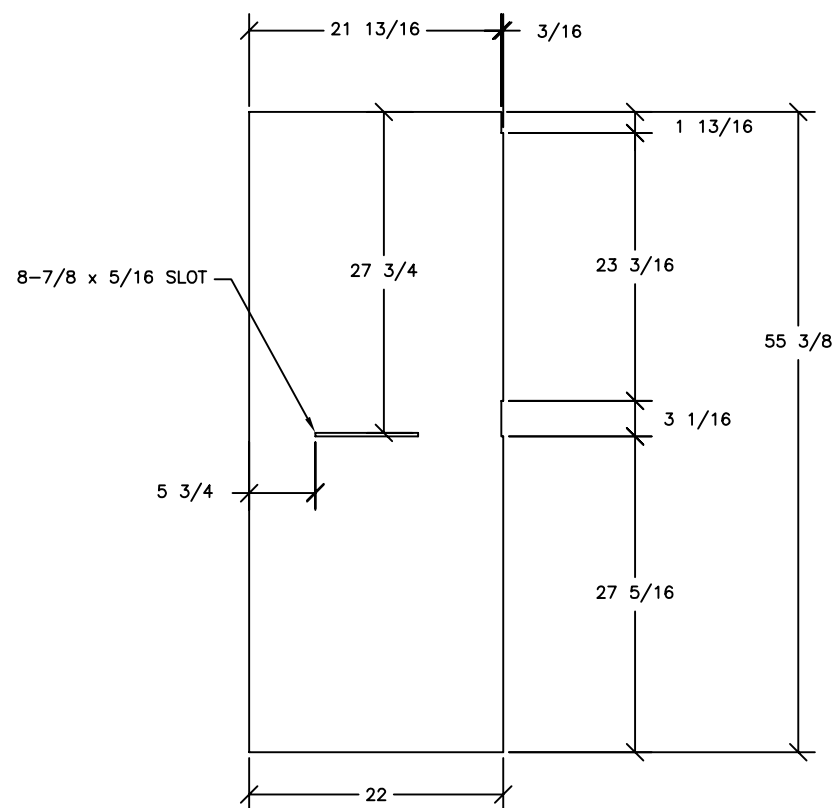
58 BUOY HULL
SCALE: 1-1/2"=1'-0"



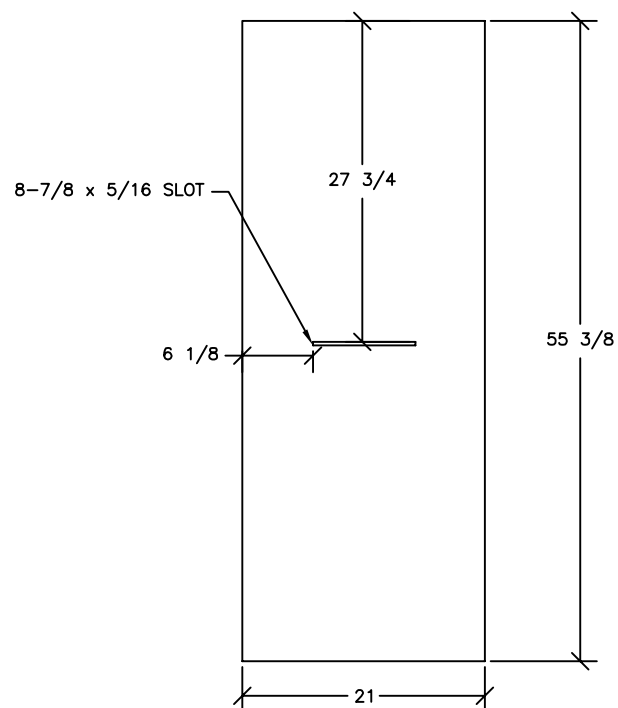
SECTION K-K
SCALE: 1-1/2"=1'-0"



SECTION L-L
SCALE: 1-1/2"=1'-0"



59 RIGHT RADAR PANEL
SCALE: 1-1/2"=1'-0"



60 LEFT RADAR PANEL
SCALE: 1-1/2"=1'-0"

REV.	DATE	APPR.	DESCRIPTION	BY
DESIGNED:			U.S. COAST GUARD	HEADQUARTERS
DRAWN:	S.M.		OCEAN ENGINEERING	
TRACED:			2007 TYPE	
CHECKED:			6x16 LFR BUOY	
REVIEWED BY:				
Sean McEvoy PROJECT ENGINEER CG-432B				
REVIEWED BY:				
Dianna Bo CG-432B				
REVIEWED BY:				
S.D. Walker CG-432				
APPROVED:			S.D. Walker, acting	DATE
			CHIEF, OFFICE OF CIVIL ENGINEERING	12/11/07
UNLESS OTHERWISE SPECIFIED: ALL DIMENSIONS ARE IN INCHES. TOLERANCES: DIM. ±1/32 ANG. ±1°			DRAWING NUMBER	REV.
			121184	
PLOTING SCALE: 1-1/2"=1'-0"			SCALE: AS NOTED	SHEET 9 OF 10

BILL OF MATERIALS

ITEM NO.	NO. REQ.	DESCRIPTION	MATL.	REMARKS
1	1	TOP PLATE	ALUM.	44 x 22-1/2 x 1/4 THK.
2	1	UPPER RING	ALUM.	44 DIA. 2 x 2 x 1/4 L
3	4	UPPER GUSSET	ALUM.	7 x 7 x 3/8 THK.
4	4	TOP SUPPORT	ALUM.	2 x 2 x 1/4 L
5	2	RIGHT UPPER POST	ALUM.	2 x 2 x 1/4 L
6	2	LEFT UPPER POST	ALUM.	2 x 2 x 1/4 L
7	4	MIDDLE PLATE	ALUM.	3 x 8-1/2 x 1/4 THK.
8	2	MIDDLE GUSSET	ALUM.	12 x 12 x 3/16 THK
9	2	LH MIDDLE HORZ SUPPORT	ALUM.	3 x 3 x 1/4 L
10	2	RH MIDDLE HORZ SUPPORT	ALUM.	3 x 3 x 1/4 L
11	1	BOTTOM PLATE	ALUM.	31-1/2 DIA. x 1/4 THK.
12	1	LOWER RING	ALUM.	32 DIA. x 2-7/8 x 1/4 THK.
13	2	LH BOTTOM HOR SUPPORT	ALUM.	13-7/8 x 3 x 1/4 THK.
14	2	RH BOTTOM HOR SUPPORT	ALUM.	13-5/8 x 3 x 1/4 THK.
15	4	TOWER LEG	ALUM.	3 x 3 x 1/4 L
16	4	LEG GUSSET	ALUM.	6 x 1-7/8 x 3/8 THK.
17	3	BOTTOM GUSSET	ALUM.	9-7/16 x 5 x 3/8 THK.
18	4	LEG X-BRACE	ALUM.	31-1/2 x 1-1/2 x 1/4 THK.
19	2	LEG BRACE	ALUM.	12-1/4 x 1-1/2 x 1/4 THK.
20	8	TOWER HANDLE	ALUM.	1/2 DIA. ROD
21	8	CLEVIS	ALUM.	4-1/2 x 2-1/2 x 1/4 THK.
22	2	LADDER RUNG	ALUM.	1 DIA. x 24 LG
23	4	HORIZONTAL WASHER PLATE	ALUM.	9 x 2 x 1/4 THK.
24	8	MID & BOT WASHER PLATE	ALUM.	12-3/4 x 2 x 1/4 THK.
25	4	UPPER HORZ WASHER PLATE	ALUM.	12-3/4 x 2 x 1/4 THK.
26	4	BOTTOM VERT WASHER PLATE	ALUM.	26 x 2 x 1/4 THK.
27	4	TOP VERT WASHER PLATE	ALUM.	26-3/4 x 2 x 1/4 THK.
28	2	LH BOTTOM HORZ WASHER PLATE	ALUM.	14-1/2 x 2 x 1/4 THK.
29	2	RH BOTTOM HORZ WASHER PLATE	ALUM.	12-5/8 x 2 x 1/4 THK.
30	8	ISOLATOR PAD	POLY	5 x 3 x 1/8 THK.
31	16	SHOULDER WASHER	TEFLON	1/2 ID x 3/4 OD x 1 FLANGE
32	24	HEX HEAD BOLT	STAIN. STEEL	1/2 - 13UNC x 2 LONG
33	48	FLAT WASHER	STAIN. STEEL	1/2 NOM.
34	24	HEX HEAD NUT	STAIN. STEEL	1/2 - 13UNC
35	4	TOWER FOOT	STEEL	14 x 7 x 1/4 THK.
36	2	LIFTING BAIL	STEEL	7 x 7 x 1-1/4 THK
37	1	MOUNTING FLANGE	STEEL	12 DIA x 1/2 THK.
38	1	STAND SUPPORT PIPE	STEEL	6 SCH 40 PIPE x 3 LG
39	1	DECK PLATE	STEEL	48 SQ. x 1/2 THK.
40	4	DECK PLATE GUSSET	STEEL	20 x 8 x 1/2 THK.
41	1	CENTER PIPE	STEEL	8 SCH 80 PIPE x 76-3/4 LG
42	4	CENTER PIPE TAB	STEEL	14-3/4 x 3-1/2 x 1/2 THK.
43	1	CENTER PIPE PLATE	STEEL	9-1/4 DIA. x 1-1/4 THK.
44	1	BOTTOM PLATE	STEEL	44 SQ. x 1/2 THK.
45	4	BOTTOM PLATE BRACE	STEEL	15 x 10 x 1/2 THK.
46	2	MOORING BAIL	STEEL	6 x 6 x 1-1/2 THK.
47	4	BALLAST LEGS	STEEL	6 x 6 x 22 LG SOLID STEEL
48	2	BALLAST BASE	STEEL	6 x 6 x 36 LG SOLID STEEL
49	2	BALLAST BASE	STEEL	6 x 6 x 24 LG SOLID STEEL
50	4	WASHER PLATE	STEEL	8 x 2 x 3/8 THK.

BILL OF MATERIALS

ITEM NO.	NO. REQ.	DESCRIPTION	MATL.	REMARKS
51	8	THREADED RODS	STAIN. STEEL	1 - 8UNC x 66-1/4 LG.
52	8	HEAVY HEAD HEX NUT	STAIN. STEEL	1 - 8UNC
53	16	FLAT WASHER	STAIN. STEEL	1-1/16 ID x 2-1/2 OD
54	16	HEX HEAD NYLOCK NUT	STAIN. STEEL	1 - 8UNC
55	8	HEX HEAD BOLT	STAIN. STEEL	3/4 - 10UNC x 3 LG.
56	16	FLAT WASHER	STAIN. STEEL	13/16 ID x 1-1/2 OD
57	8	HEX HEAD NYLOCK NUT	STAIN. STEEL	3/4 - 10UNC
58	1	BUOY HULL	FOAM	4 PCF SEE NOTE 1
59	2	LEFT RADAR PANEL	FOAM	7/8 TO 1 THK SEE NOTE 3
60	2	RIGHT RADAR PANEL	FOAM	7/8 TO 1 THK SEE NOTE 3
61	76	HEX HEAD BOLT	STAIN. STEEL	3/8 - 13UNC x 2 LG.
62	152	FLAT WASHER	STAIN. STEEL	3/8 NOM.
63	76	HEX HEAD NYLOCK NUT	STAIN. STEEL	3/8 - 13UNC
64	1	BATTERY BOX	STEEL	SEE DRAWING 121100

NOTES:

- SEE LATEST REVISION OF U.S.C.G. CIVIL ENGINEERING SPECIFICATION No. 450 FOR FABRICATION REQUIREMENTS. DIMENSIONAL TOLERANCES FOR ITEM 60 ARE ±1 FOR THE DIAMETER AND ±1/4 FOR THE HEIGHT.
- TACK WELD ITEM 51 TO ITEM 52.
- FOAM RADAR PANELS CONSIST OF AN ALUMINUM FOIL SHEET HEAT SEALED IN BETWEEN TWO FOAM PANELS. THE MOUNTING HOLES IN THE PANELS SHALL BE BACK DRILLED DURING INSTALLATION TO ENSURE PROPER ALIGNMENT.

REV.	DATE	APPR.	DESCRIPTION	BY
DESIGNED:			U.S. COAST GUARD	HEADQUARTERS
DRAWN:	S.M.		OCEAN ENGINEERING	
TRACED:			2007 TYPE	
CHECKED:			6x16 LFR BUOY	
REVIEWED BY:				
Sean McEvoy PROJECT ENGINEER CG-432B				
Dianna Bo REVIEWED BY:				
REVIEWED BY:		APPROVED:	S.D. Walker, acting	DATE 12/11/07
S.D. Walker CG-432 CHIEF, OFFICE OF CIVIL ENGINEERING				
UNLESS OTHERWISE SPECIFIED: ALL DIMENSIONS ARE IN INCHES. TOLERANCES: DIM. ±1/32 ANG. ±1°			DRAWING NUMBER 121184	REV.
SCALE: AS NOTED			SHEET 10	OF 10