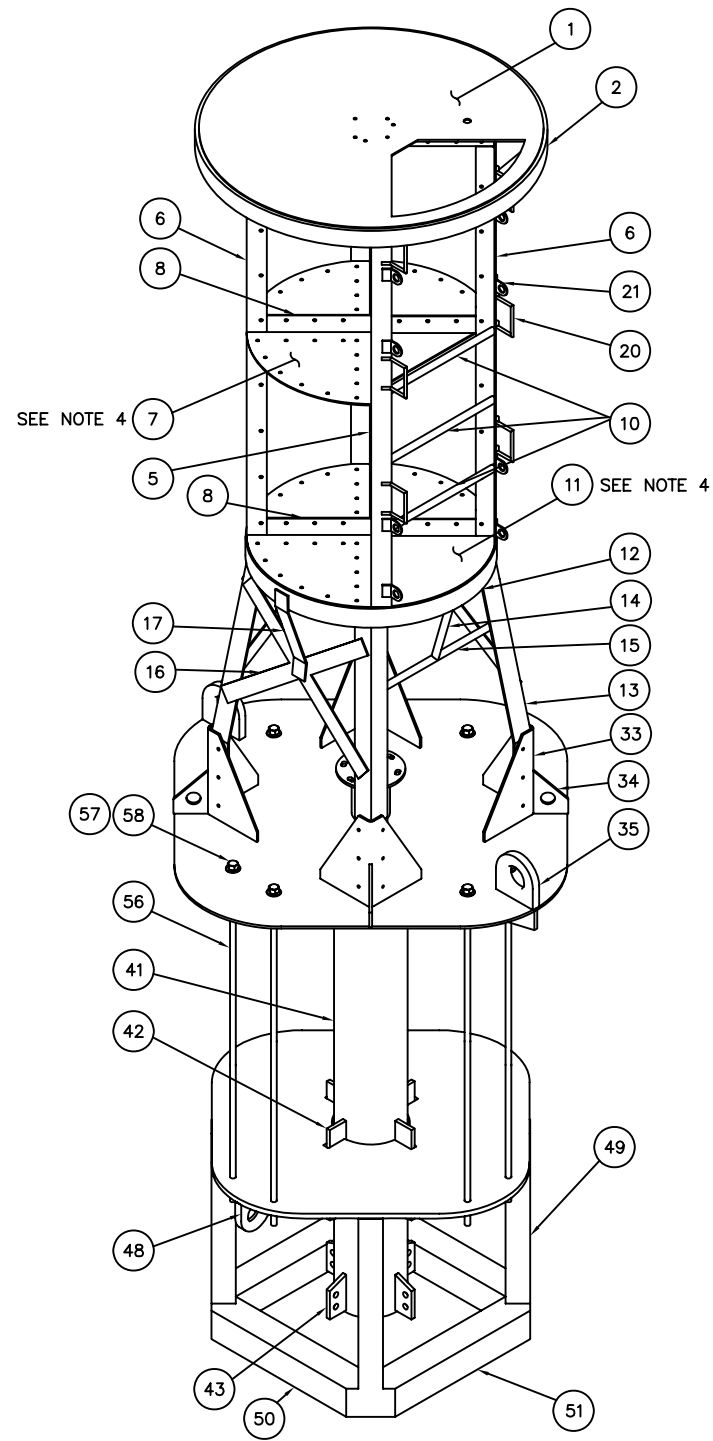
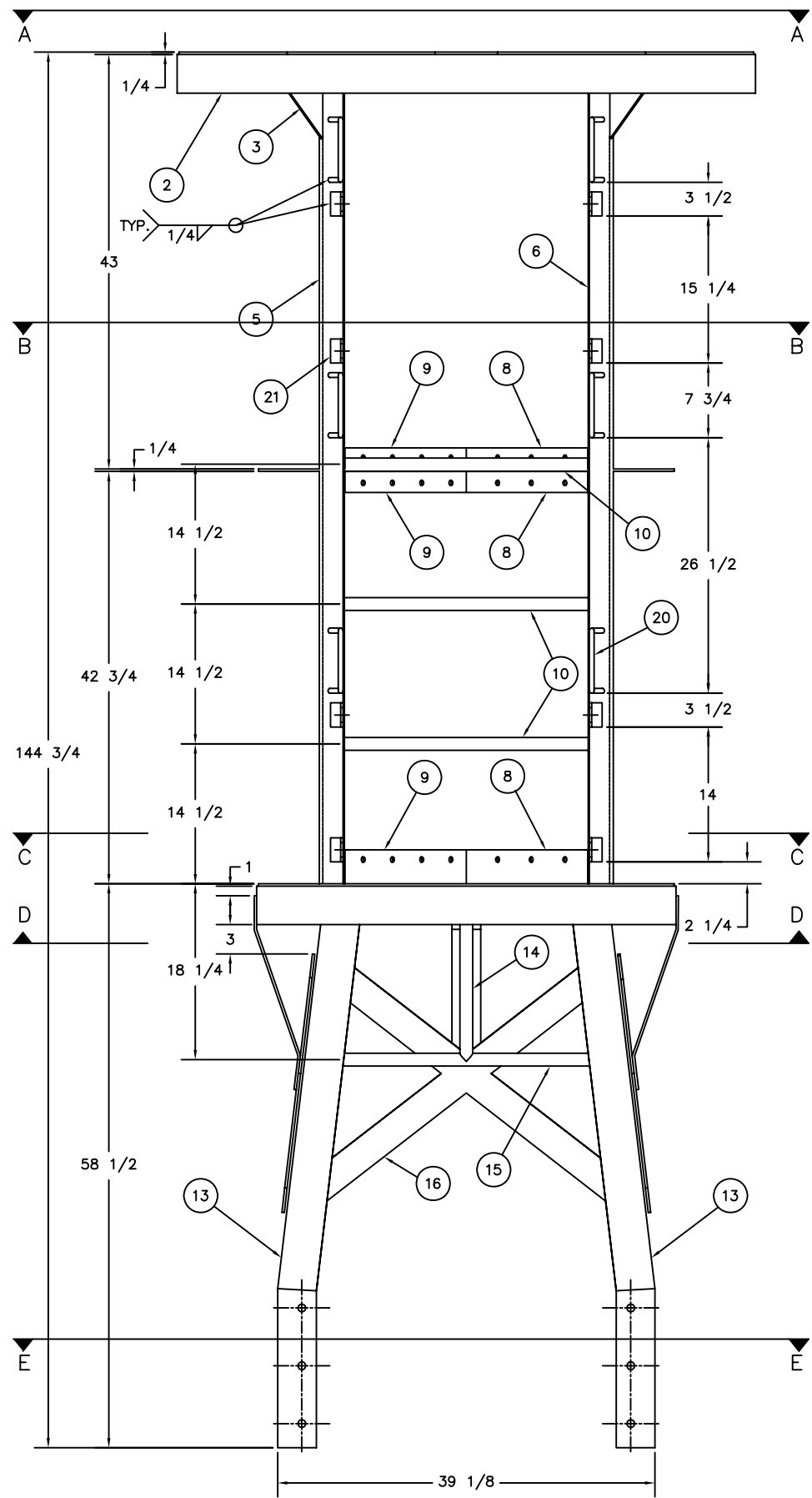


8x22 LFR
ASSEMBLY VIEW
SCALE: 3/4"=1'-0"

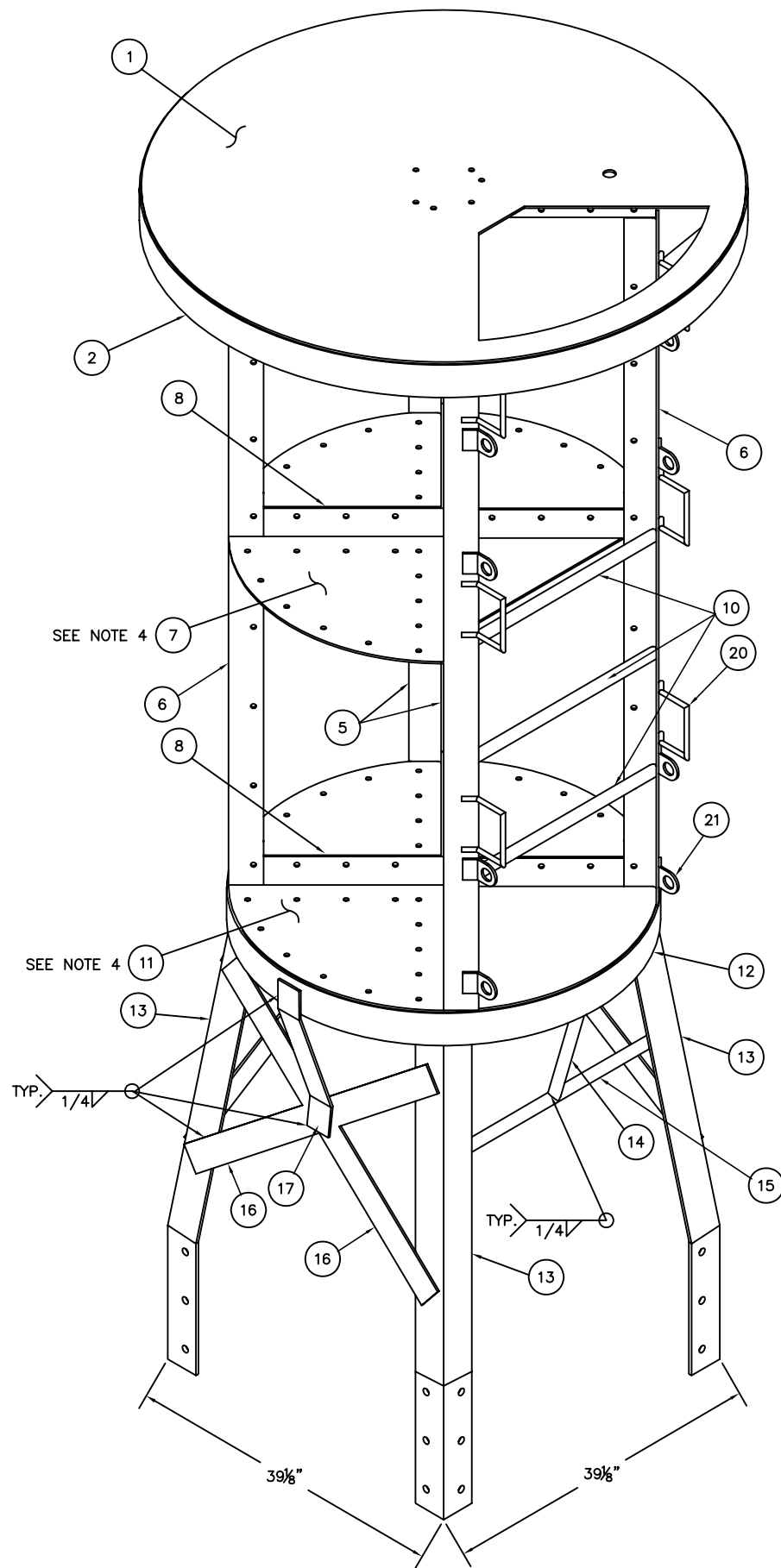


8x22 LFR
ISOMETRIC STRUCTURAL VIEW
SCALE: NONE

REV.	DATE	APPR.	DESCRIPTION	BY
DESIGNED:			U.S. COAST GUARD	HEADQUARTERS
DRAWN:	S.M.		OCEAN ENGINEERING	
TRACED:			2007 TYPE	
CHECKED:			8x22 LFR BUOY	
REVIEWED BY:				
Sean McEvoy PROJECT ENGINEER				
REVIEWED BY:				
Dianna Bo CG-432B				
REVIEWED BY:		APPROVED:	S.D. Walker, acting	DATE
s.d. Walker CG-432			CHIEF, OFFICE OF CIVIL ENGINEERING	12/11/07
UNLESS OTHERWISE SPECIFIED: ALL DIMENSIONS ARE IN INCHES. TOLERANCES: DIM. $\pm 1/32$ ANG. $\pm 1^\circ$			DRAWING NUMBER	REV.
			121185	
PLOTING SCALE: 3/4"=1'-0"			SCALE: AS NOTED	SHEET 1 of 13

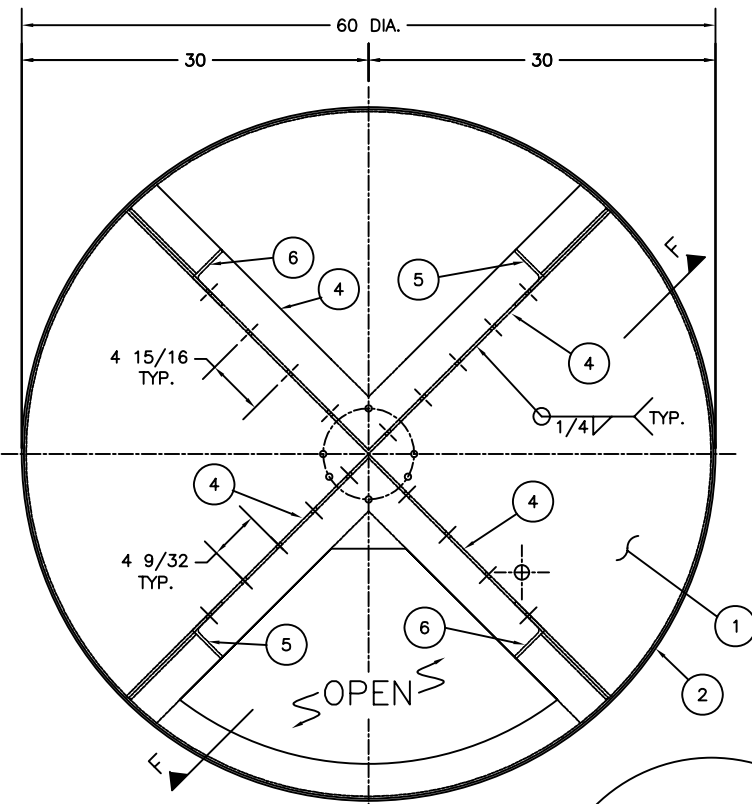


TOWER ASSEMBLY
SCALE: 1-1/2"=1'-0"

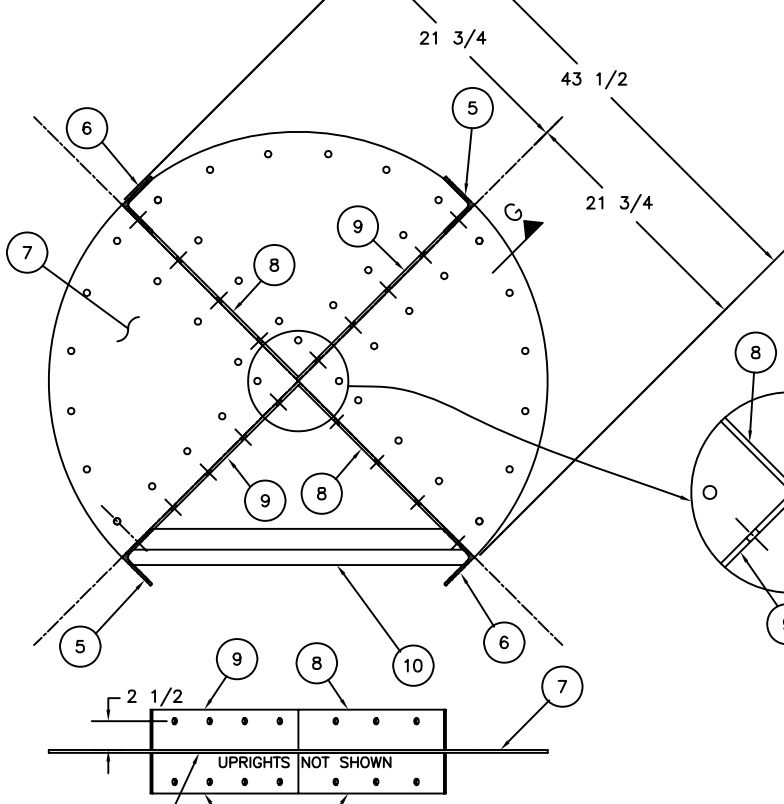


TOWER ISOMETRIC
SCALE: 1-1/2"=1'-0"

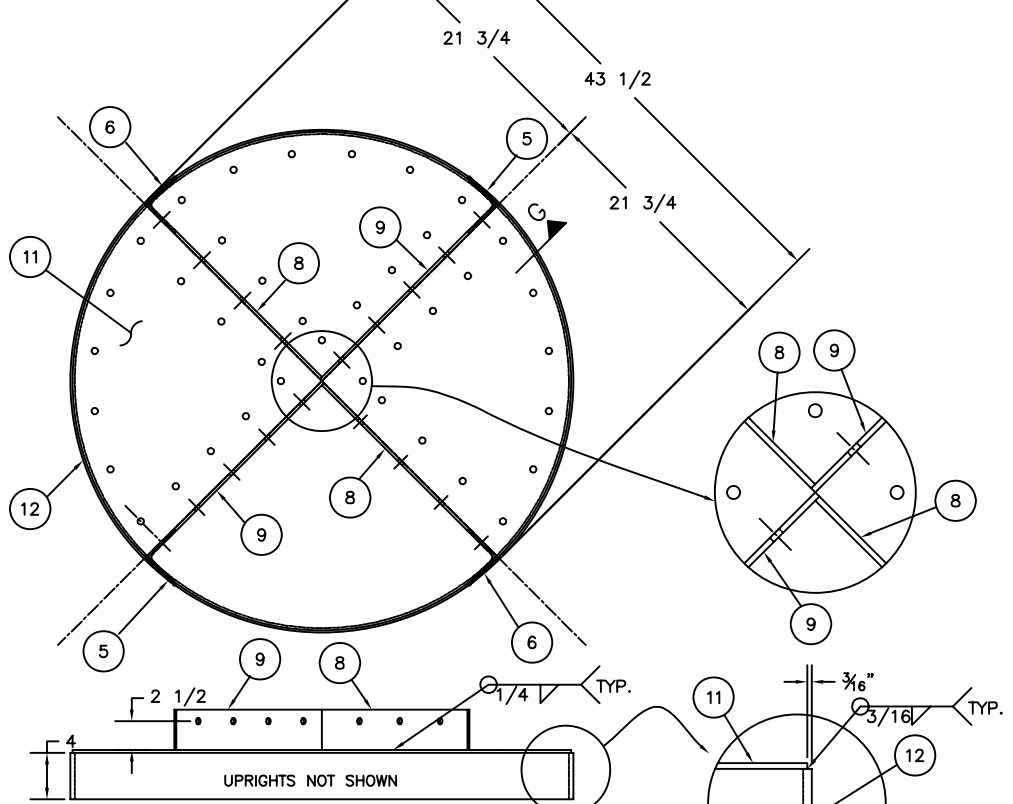
REV.	DATE	APPR.	DESCRIPTION	BY
DESIGNED:			U.S. COAST GUARD	HEADQUARTERS
DRAWN:	S.M.		OCEAN ENGINEERING	
TRACED:			2007 TYPE	
CHECKED:			8x22 LFR BUOY	
REVIEWED BY:				
Sean McEvoy PROJECT ENGINEER				
REVIEWED BY:				
Dianna Bo CG-432B				
REVIEWED BY:		APPROVED:	S.D. Walker, acting	DATE
S.D. Walker CG-432		CHIEF, OFFICE OF CIVIL ENGINEERING		12/11/07
UNLESS OTHERWISE SPECIFIED: ALL DIMENSIONS ARE IN INCHES. TOLERANCES: DIM. ±1/32 ANG. ±1°			DRAWING NUMBER	REV.
			121185	
PLOTING SCALE: 1-1/2"=1'-0"			SCALE: AS NOTED	SHEET 2 OF 13



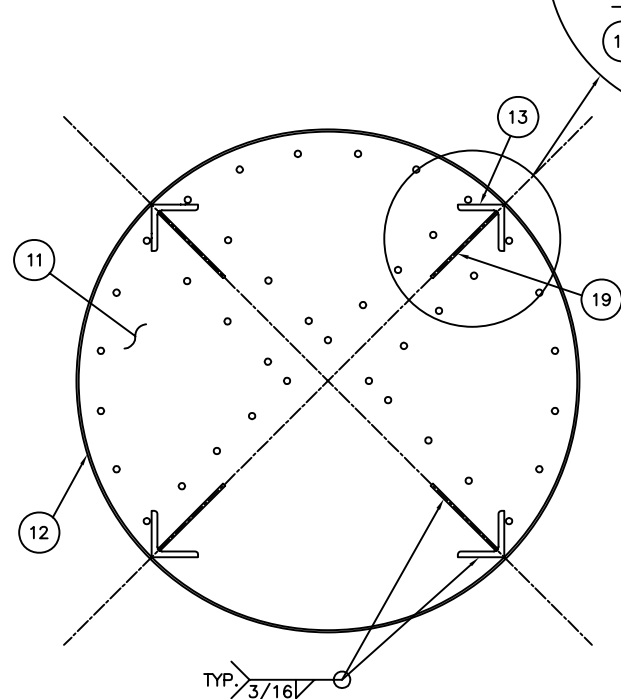
SECTION A-A
SCALE: 1-1/2"=1'-0"



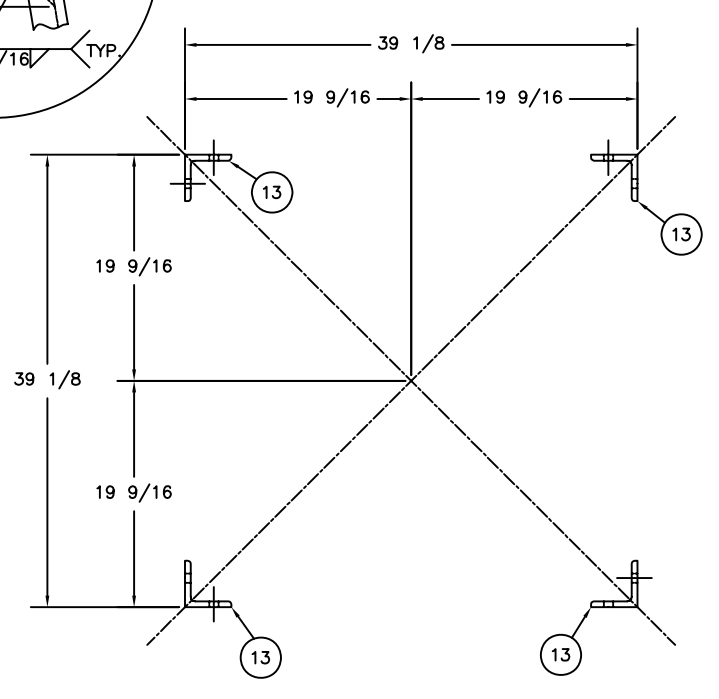
SECTION B-B
SCALE: 1-1/2"=1'-0"



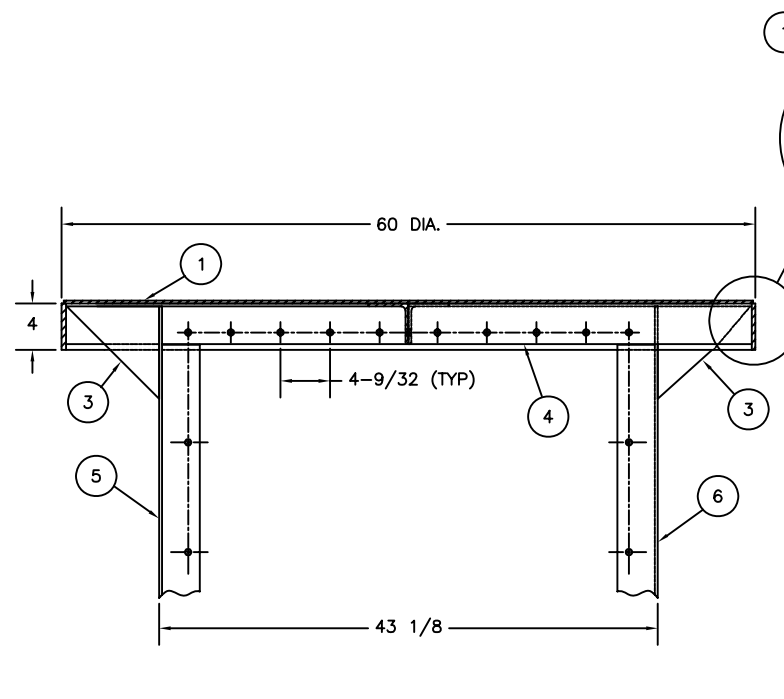
SECTION C-C
SCALE: 1-1/2"=1'-0"



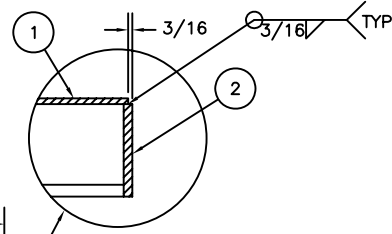
SECTION D-D
SCALE: 1-1/2"=1'-0"



SECTION E-E
SCALE: 1-1/2"=1'-0"



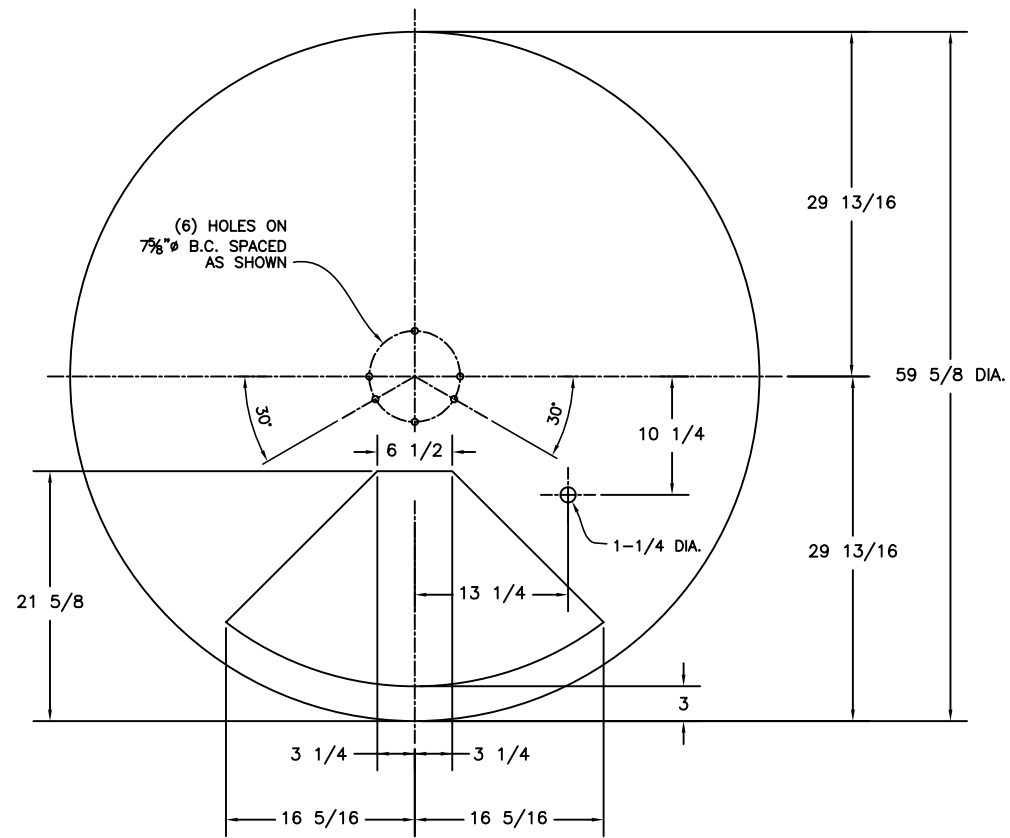
SECTION F-F
SCALE: 1-1/2"=1'-0"



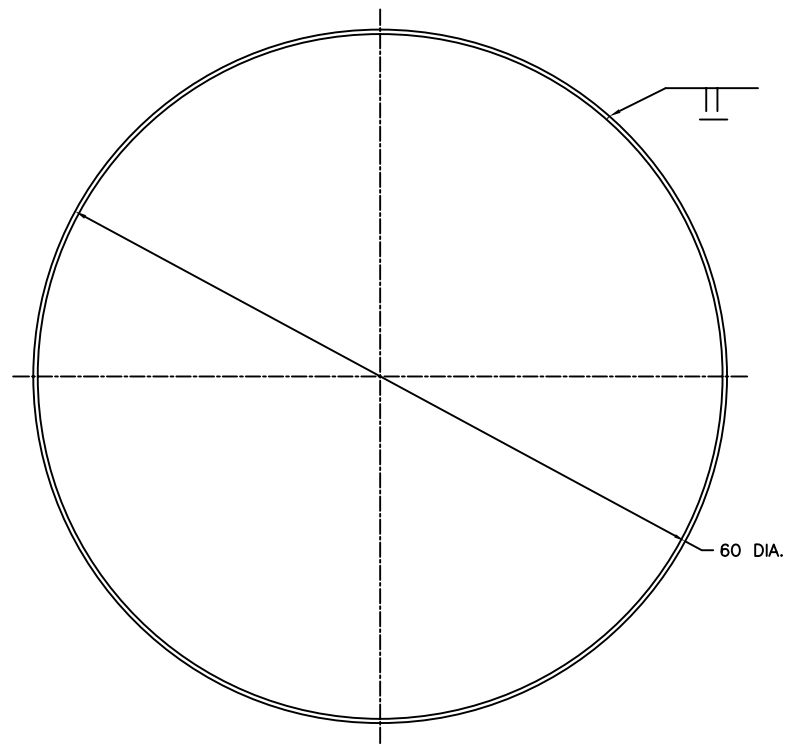
SECTION G-G
SCALE: 1-1/2"=1'-0"

PLOTTING SCALE: 1-1/2"=1'-0"

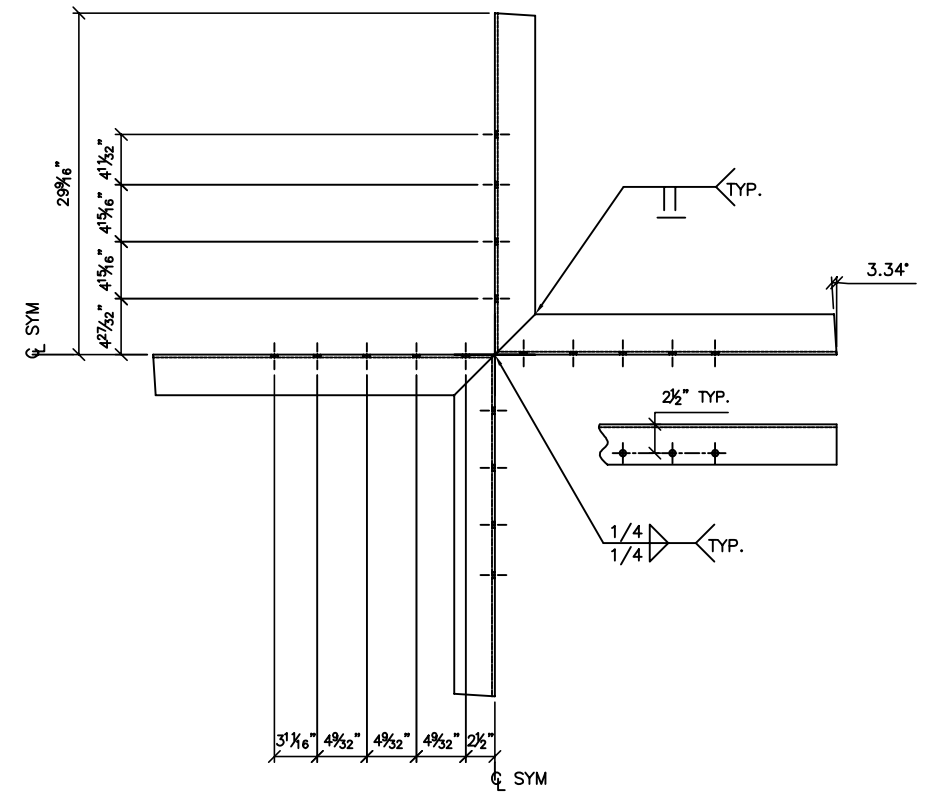
REV.	DATE	APPR.	DESCRIPTION	BY
DESIGNED:			U.S. COAST GUARD	HEADQUARTERS
DRAWN:	S.M.		OCEAN ENGINEERING	
TRACED:			2007 TYPE	
CHECKED:			8x22 LFR BUOY	
REVIEWED BY:				
Sean McEvoy PROJECT ENGINEER				
CG-432B				
REVIEWED BY:				
Dianna Bo				
CG-432				
REVIEWED BY:				
S.D. Walker				
CG-432				
APPROVED:				
S.D. Walker				
CG-432				
UNLESS OTHERWISE SPECIFIED: ALL DIMENSIONS ARE IN INCHES. TOLERANCES: DIM. ±1/32 ANG. ±1°			DRAWING NUMBER	REV.
			121185	
			SCALE: AS NOTED	SHEET 3 of 13



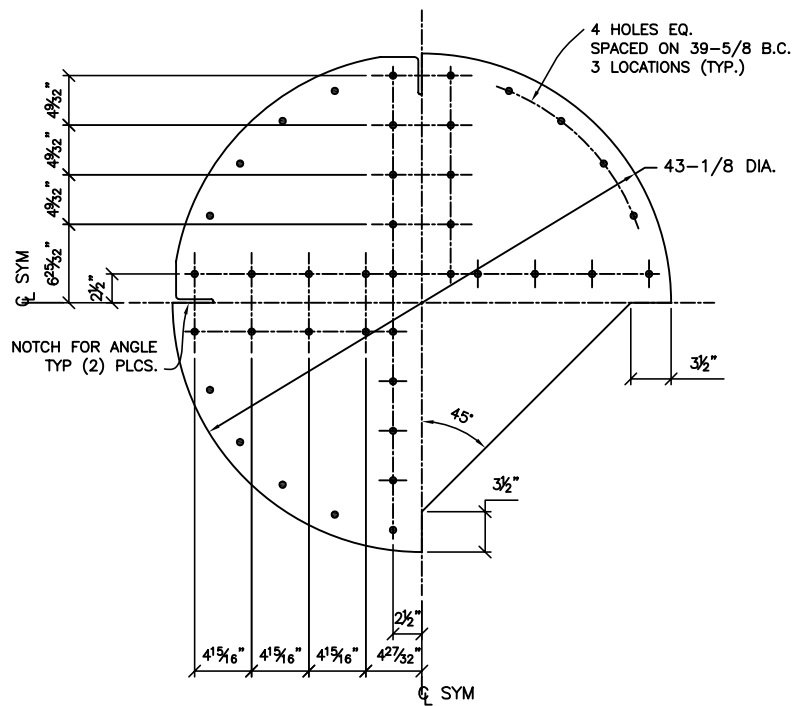
① TOP PLATE
SCALE: 1-1/2"=1'-0"



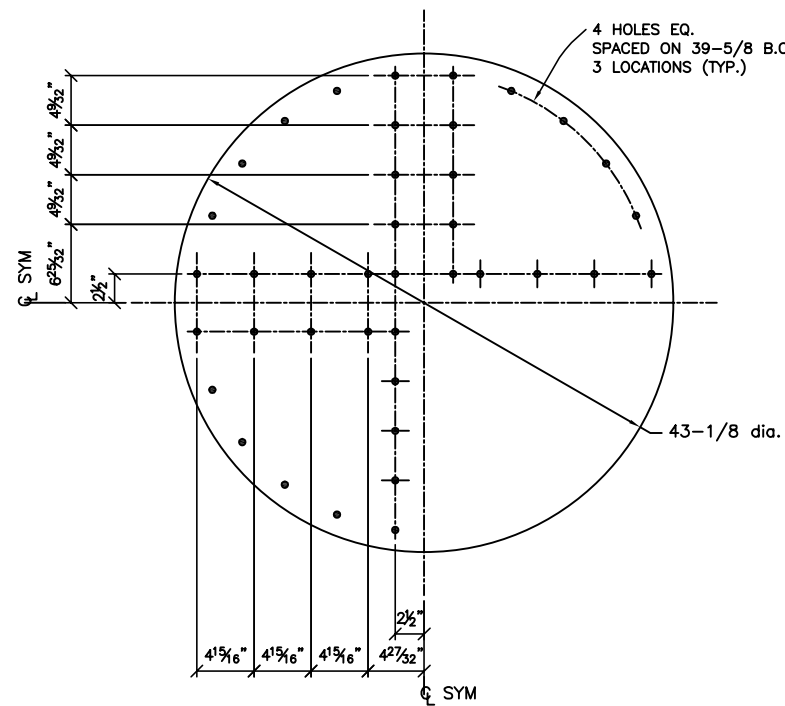
② UPPER RING
SCALE: 1-1/2"=1'-0"



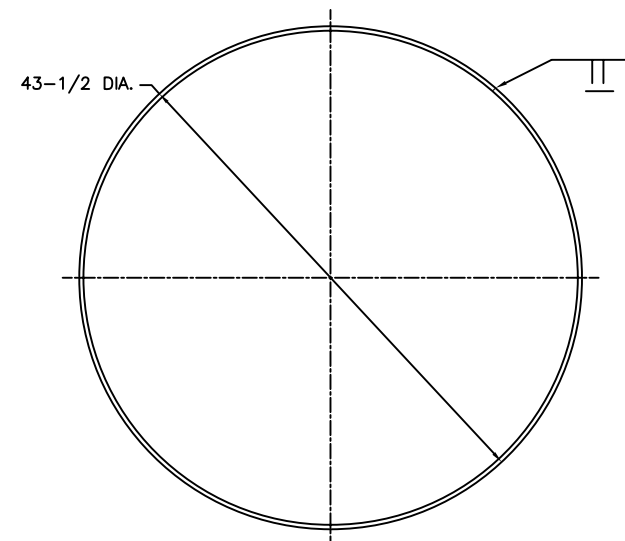
④ UPPER BACKING ANGLE
SCALE: 1-1/2"=1'-0"



⑦ MIDDLE PLATE
SCALE: 1-1/2"=1'-0"

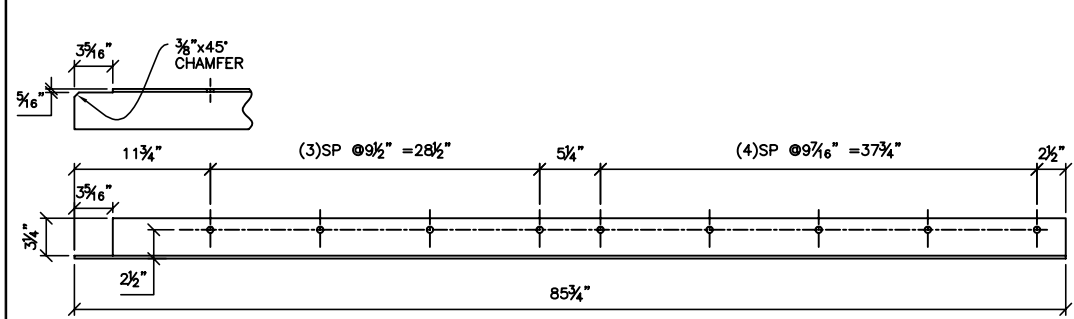


⑪ BOTTOM PLATE
SCALE: 1-1/2"=1'-0"

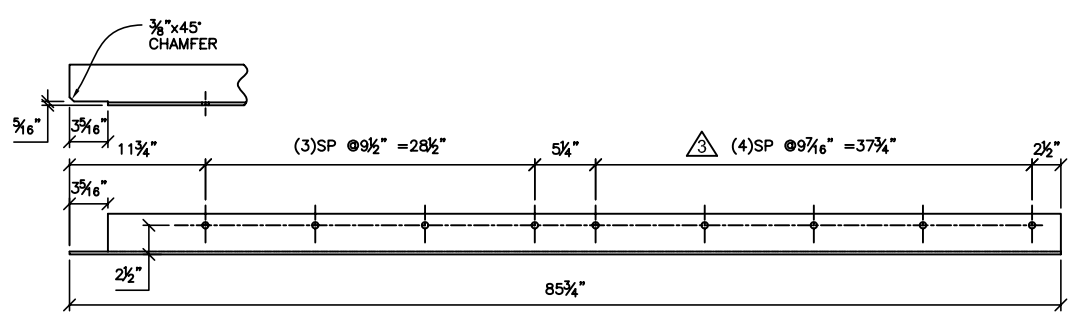


⑫ LOWER RING
SCALE: 1-1/2"=1'-0"

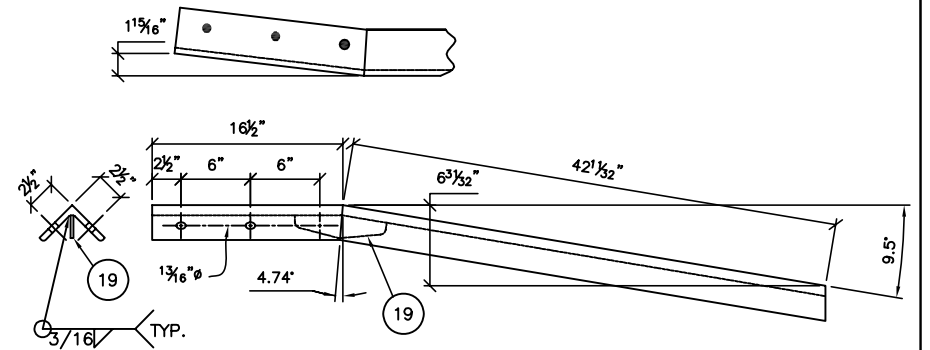
REV.	DATE	APPR.	DESCRIPTION	BY
DESIGNED:			U.S. COAST GUARD	HEADQUARTERS
DRAWN:	S.M.		OCEAN ENGINEERING	
TRACED:			2007 TYPE	
CHECKED:			8x22 LFR BUOY	
REVIEWED BY:				
Sean McEvoy				
PROJECT ENGINEER				
REVIEWED BY:				
Dianna Bo				
CG-432B				
REVIEWED BY:				
S.D. Walker				
CG-432				
APPROVED:				
S.D. Walker				
CHIEF, OFFICE OF CIVIL ENGINEERING				
UNLESS OTHERWISE SPECIFIED: ALL DIMENSIONS ARE IN INCHES. TOLERANCES: DIM. ±1/32 ANG. ±1°				
			DRAWING NUMBER	REV.
			121185	
			SCALE: AS NOTED	SHEET 4 OF 13



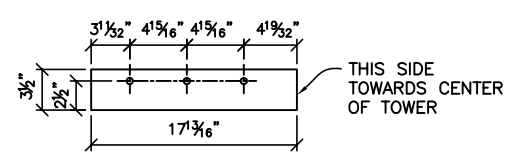
5 UPPER POST
SCALE: 1-1/2"=1'-0"



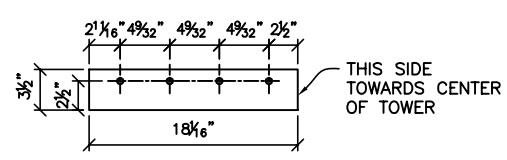
6 UPPER POST
SCALE: 1-1/2"=1'-0"



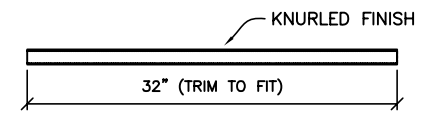
13 TOWER LEG
SCALE: 1-1/2"=1'-0"



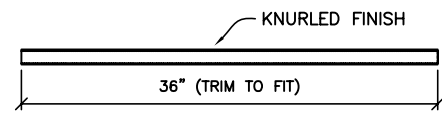
8 BACKING PLATE
SCALE: 1-1/2"=1'-0"



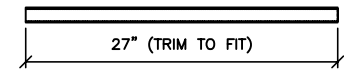
9 BACKING PLATE
SCALE: 1-1/2"=1'-0"



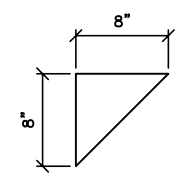
9 UPPER LADDER RUNG
SCALE: 1-1/2"=1'-0"



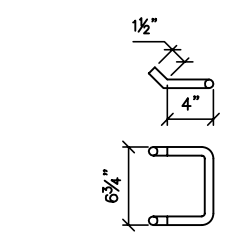
10 LOWER LADDER RUNG
SCALE: 1-1/2"=1'-0"



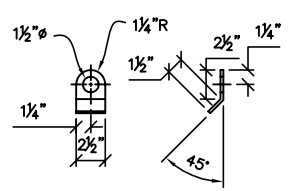
14 LOWER LADDER SUPPORT
SCALE: 1-1/2"=1'-0"



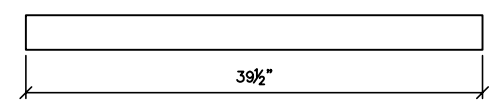
3 UPPER GUSSET
SCALE: 1-1/2"=1'-0"



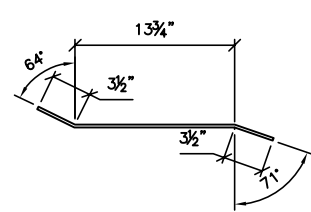
20 TOWER HANDLE
SCALE: 1-1/2"=1'-0"



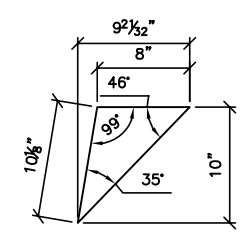
20 CLEVIS
SCALE: 1-1/2"=1'-0"



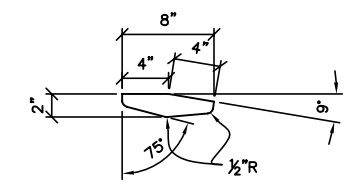
16 X-BRACE
SCALE: 1-1/2"=1'-0"



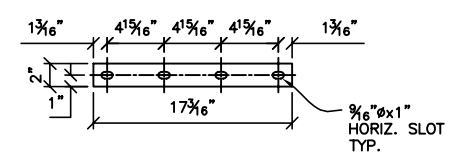
17 BRACE
SCALE: 1-1/2"=1'-0"



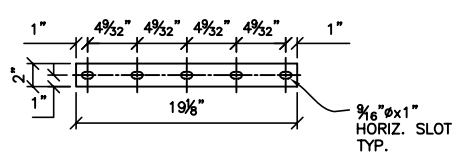
18 LOWER GUSSET
SCALE: 1-1/2"=1'-0"



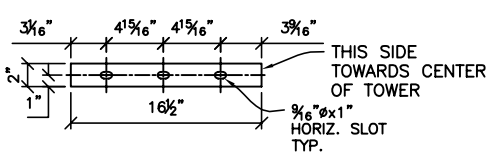
19 TOWER LEG GUSSET
SCALE: 1-1/2"=1'-0"



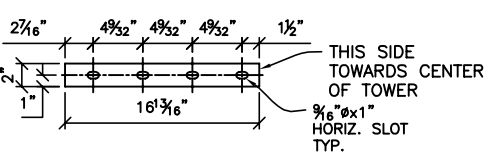
22 WASHER PLATE
SCALE: 1-1/2"=1'-0"



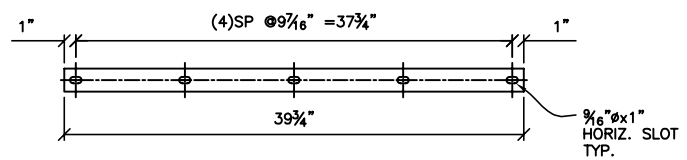
23 WASHER PLATE
SCALE: 1-1/2"=1'-0"



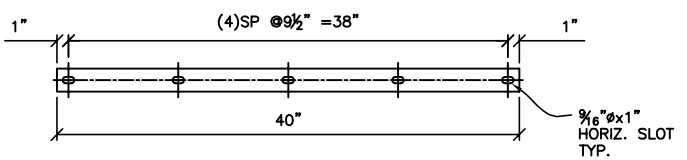
24 WASHER PLATE
SCALE: 1-1/2"=1'-0"



25 WASHER PLATE
SCALE: 1-1/2"=1'-0"

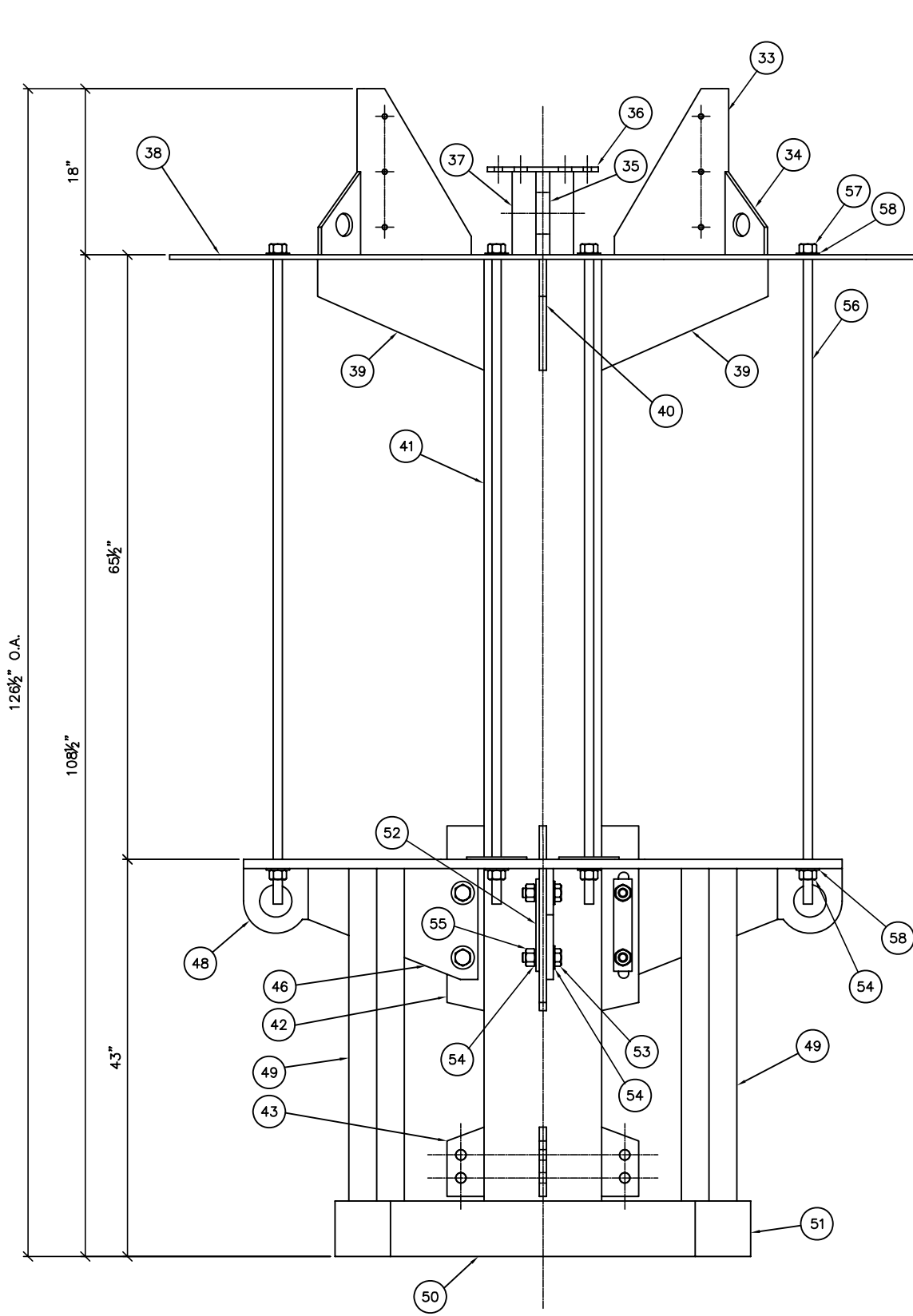


26 WASHER PLATE
SCALE: 1-1/2"=1'-0"

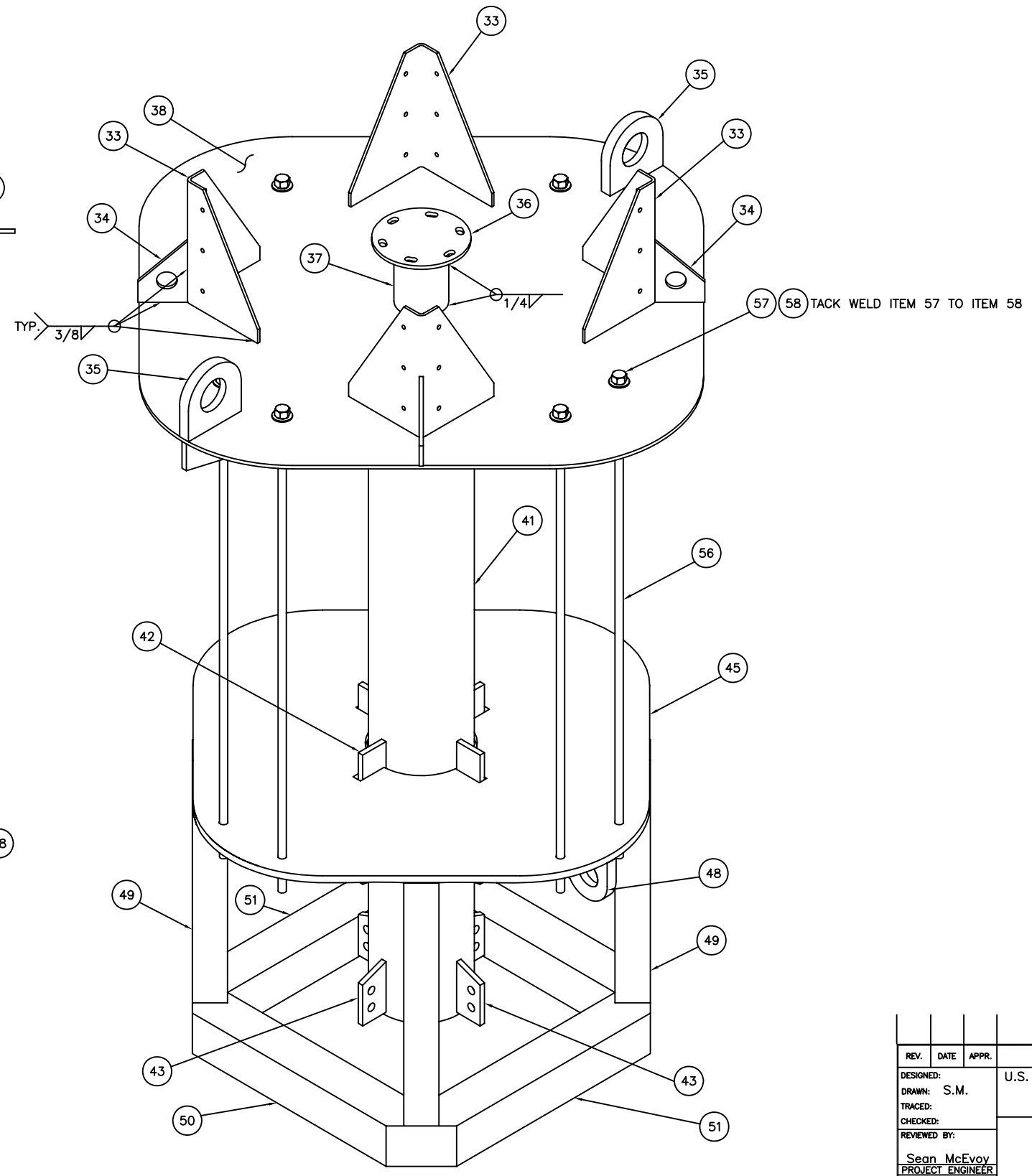


27 WASHER PLATE
SCALE: 1-1/2"=1'-0"

REV.	DATE	APPR.	DESCRIPTION	BY
DESIGNED:			U.S. COAST GUARD	HEADQUARTERS
DRAWN:	S.M.		OCEAN ENGINEERING	
TRACED:			2007 TYPE	
CHECKED:			8x22 LFR BUOY	
REVIEWED BY:				
Sean McEvoy				
PROJECT ENGINEER				
REVIEWED BY:				
Dianna Bo				
CG-432B				
REVIEWED BY:				
S.D. Walker			S.D. Walker, acting	12/11/07
CG-432			CHIEF, OFFICE OF CIVIL ENGINEERING	
UNLESS OTHERWISE SPECIFIED: ALL DIMENSIONS ARE IN INCHES. TOLERANCES: DIM. ±1/32 ANG. ±1°			DRAWING NUMBER	REV.
			121185	
PLOTING SCALE: 1-1/2"=1'-0"			SCALE: AS NOTED	SHEET 5 of 13

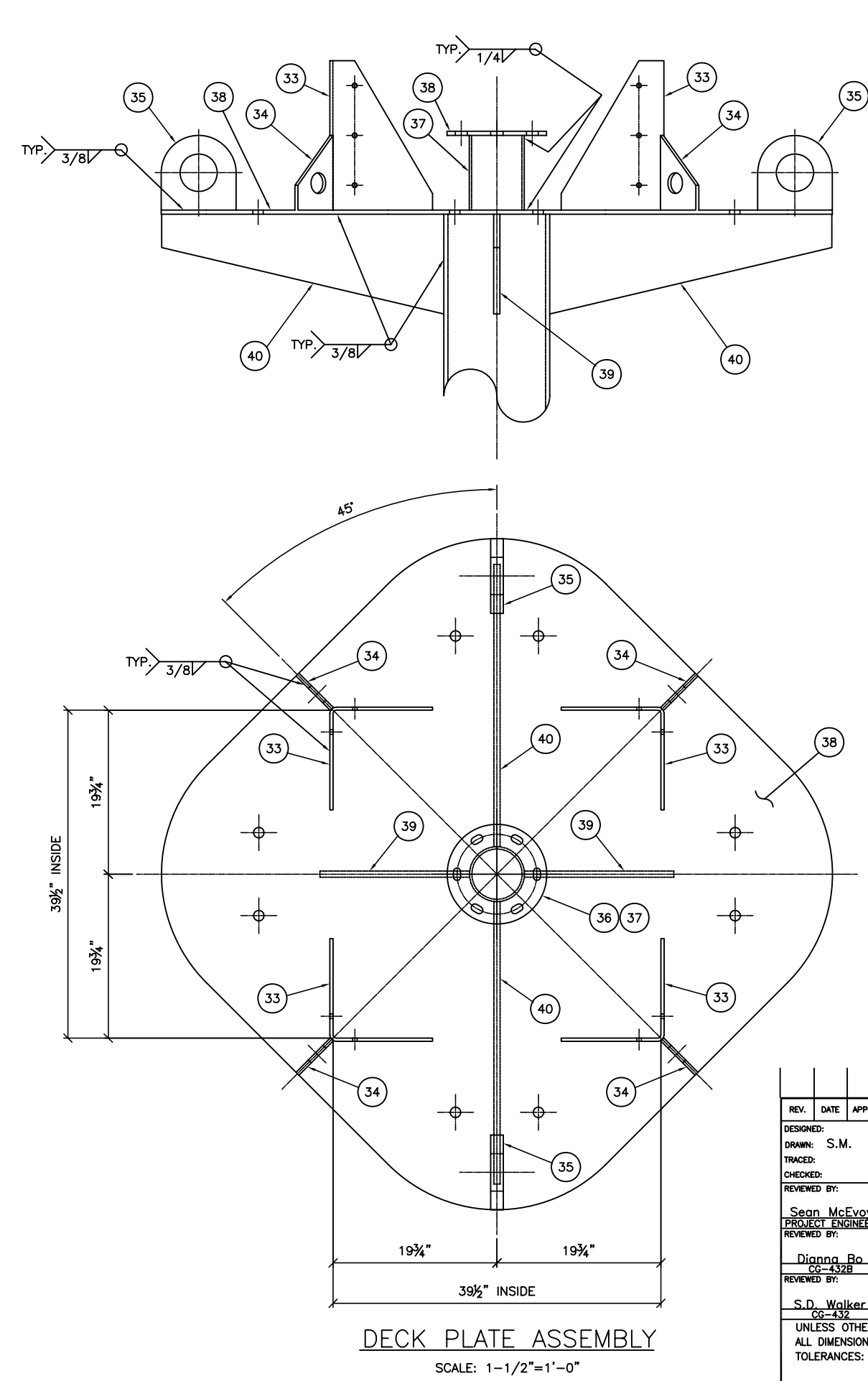
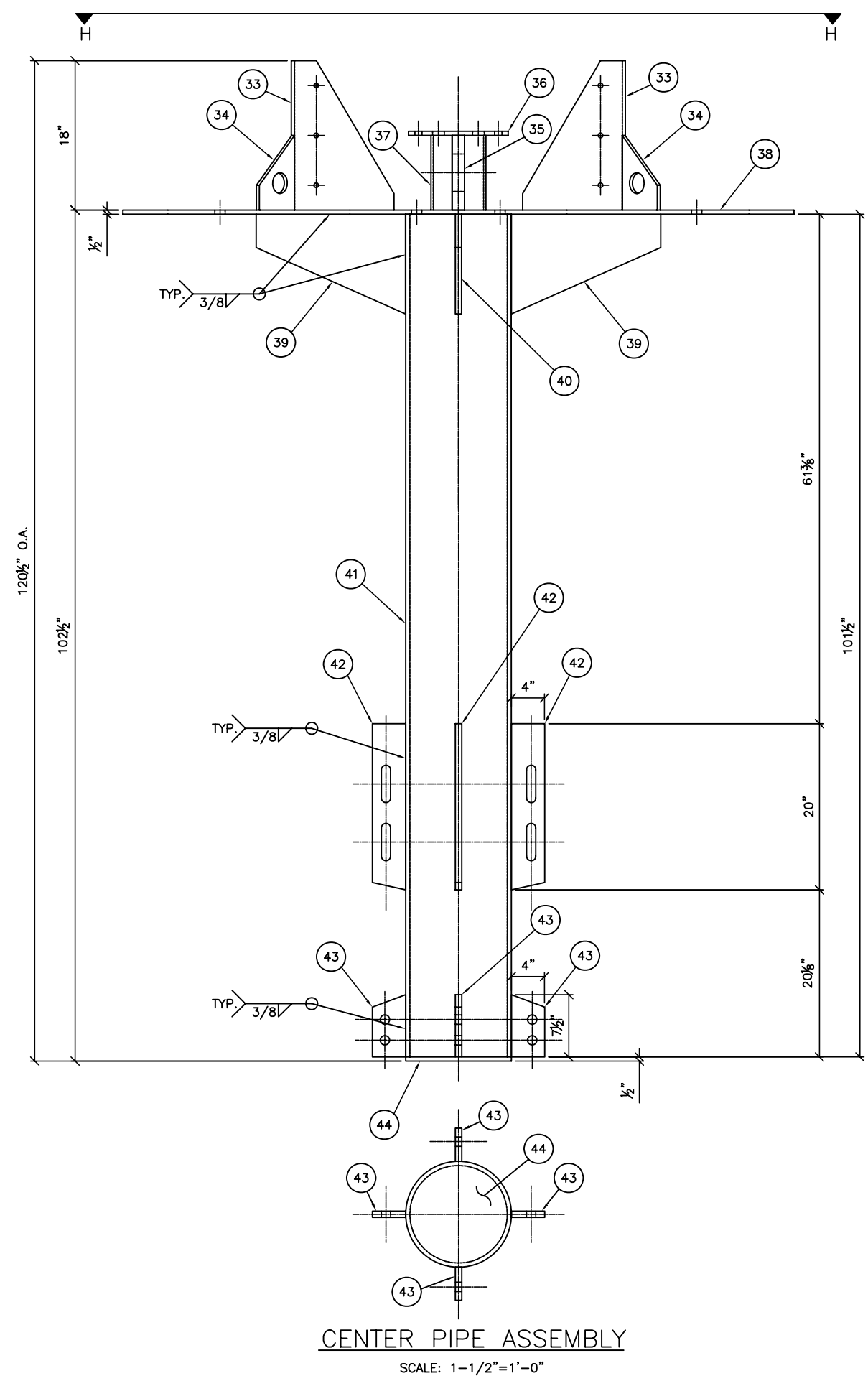


BASE ASSEMBLY
SCALE: 1-1/2"=1'-0"

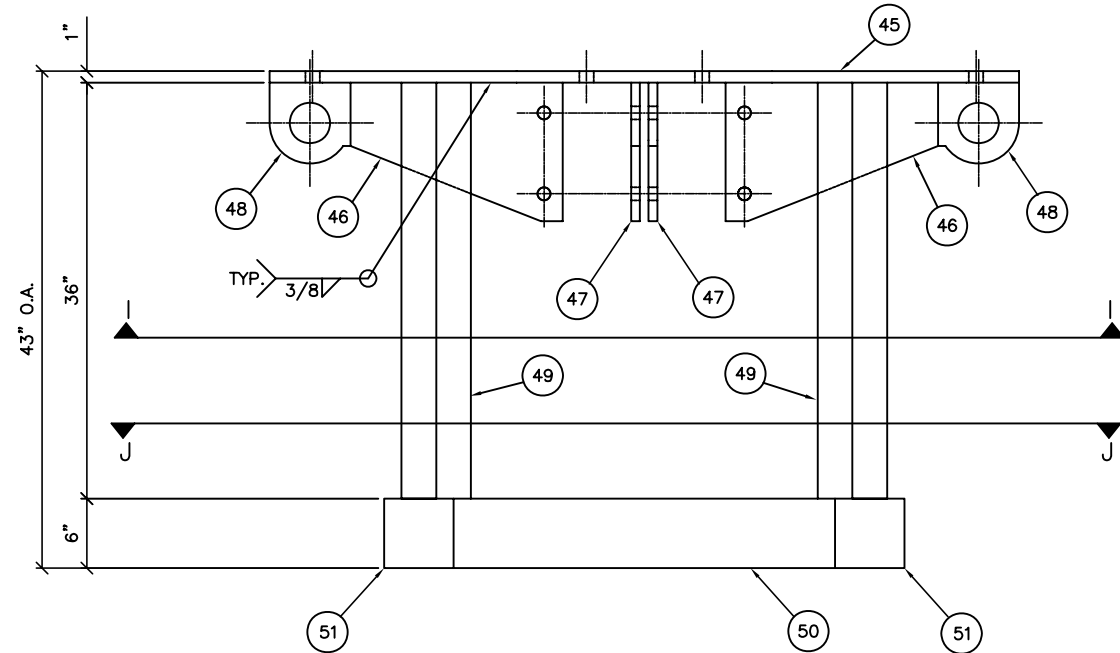


ISOMETRIC
SCALE: NONE

REV.	DATE	APPR.	DESCRIPTION	BY
DESIGNED:			U.S. COAST GUARD	HEADQUARTERS
DRAWN:	S.M.		OCEAN ENGINEERING	
TRACED:			2007 TYPE	
CHECKED:			8x22 LFR BUOY	
REVIEWED BY:				
Sean McEvoy PROJECT ENGINEER CG-432B				
Dianna Bo REVIEWED BY:				
REVIEWED BY:		APPROVED:	S.D. Walker, acting	DATE
s.d. Walker CG-432			CHIEF, OFFICE OF CIVIL ENGINEERING	12/11/07
UNLESS OTHERWISE SPECIFIED: ALL DIMENSIONS ARE IN INCHES. TOLERANCES: DIM. ±1/32 ANG. ±1°			DRAWING NUMBER	REV.
			121185	
PLOTING SCALE: 1-1/2"=1'-0"			SCALE: AS NOTED	SHEET 6 of 13

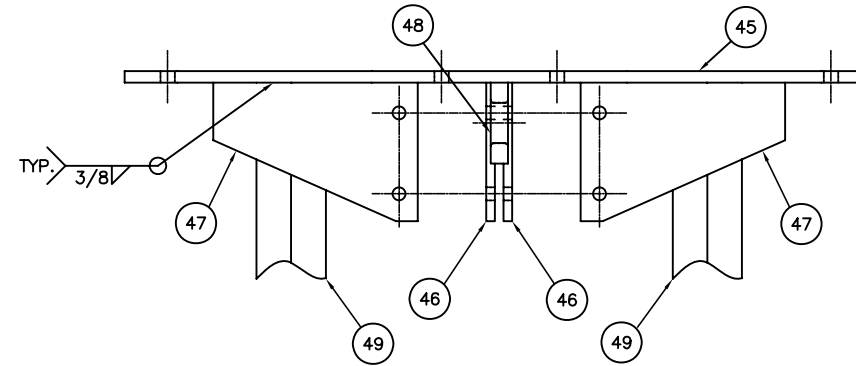


REV.	DATE	APPR.	DESCRIPTION	BY
DESIGNED:			U.S. COAST GUARD	HEADQUARTERS
DRAWN:	S.M.		OCEAN ENGINEERING	
TRACED:			2007 TYPE	
CHECKED:			8x22 LFR BUOY	
REVIEWED BY:				
			Sean McEvoy PROJECT ENGINEER	
			Dianna Bo CG-432B	
REVIEWED BY:			APPROVED:	DATE
			S.D. Walker, acting	12/11/07
			CHIEF, OFFICE OF CIVIL ENGINEERING	
UNLESS OTHERWISE SPECIFIED: ALL DIMENSIONS ARE IN INCHES. TOLERANCES: DIM. ±1/32 ANG. ±1°			DRAWING NUMBER	REV.
			121185	
SCALE: AS NOTED			SHEET 7	of 13



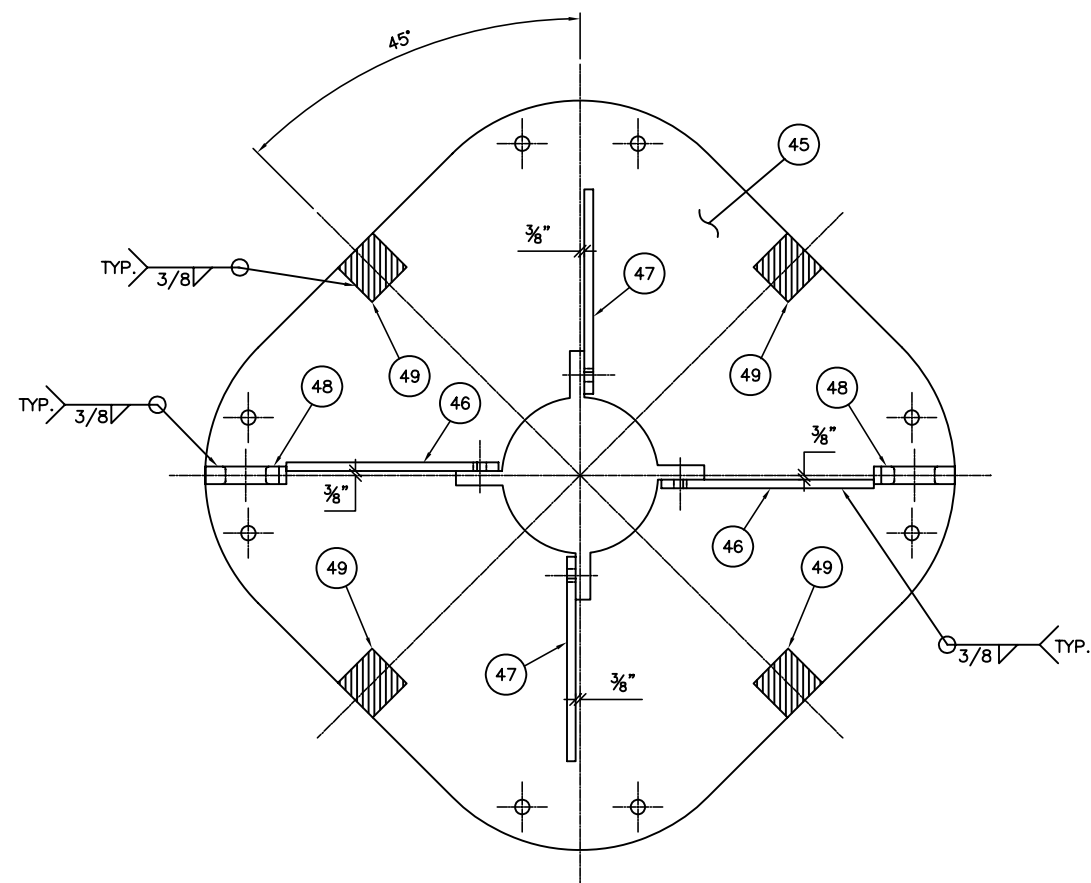
BALLAST ASSEMBLY

SCALE: 1-1/2"=1'-0"



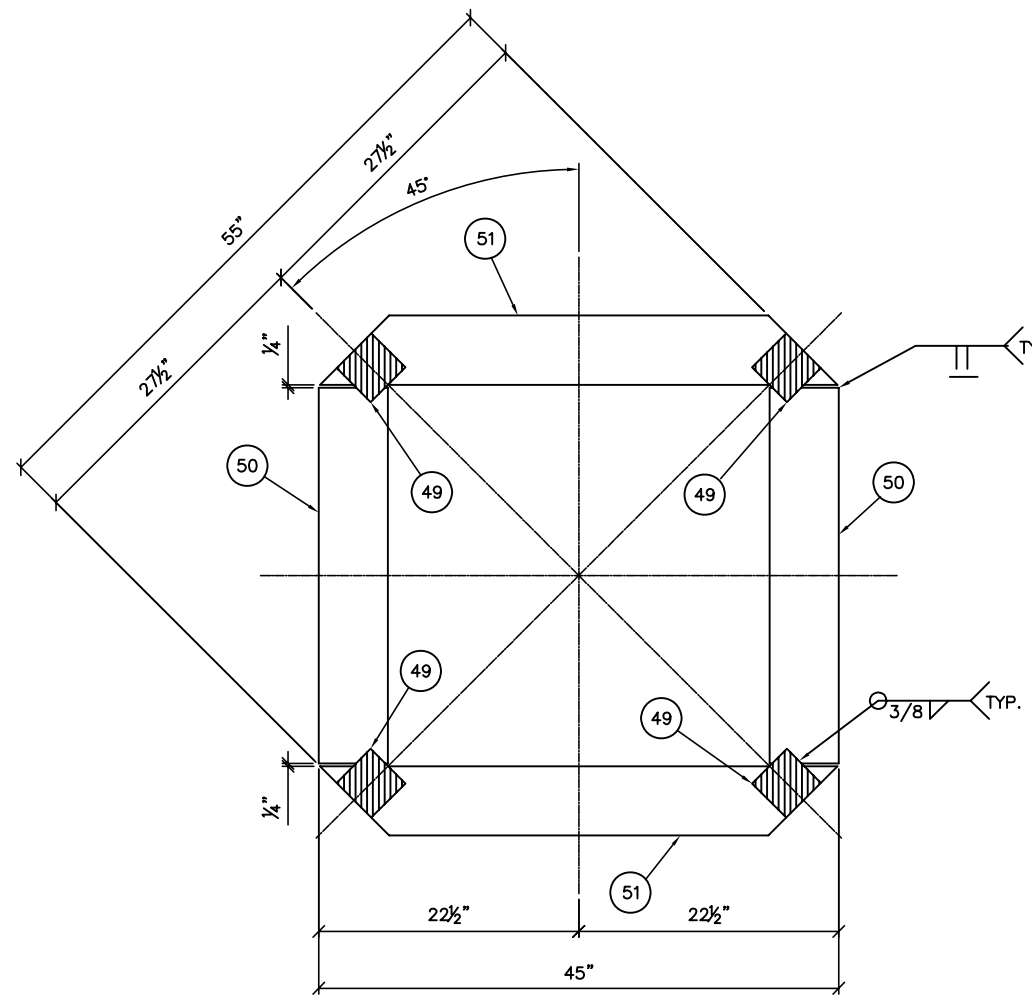
BALLAST ASSEMBLY

SCALE: 1-1/2"=1'-0"



SECTION I-I

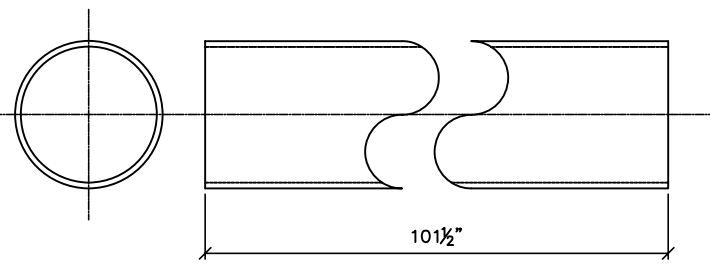
SCALE: 1-1/2"=1'-0"



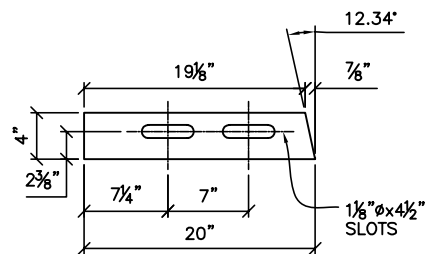
SECTION J-J

SCALE: 1-1/2"=1'-0"

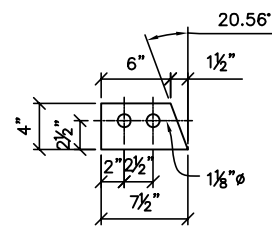
REV.	DATE	APPR.	DESCRIPTION	BY
DESIGNED:			U.S. COAST GUARD	HEADQUARTERS
DRAWN:	S.M.		OCEAN ENGINEERING	
TRACED:			2007 TYPE	
CHECKED:			8x22 LFR BUOY	
REVIEWED BY:				
Sean McEvoy CG-432B PROJECT ENGINEER				
REVIEWED BY:				
Dianna Bo CG-432B PROJECT ENGINEER				
REVIEWED BY:				
S.D. Walker CG-432 PROJECT ENGINEER				
APPROVED:			S.D. Walker, acting	DATE 12/11/07
CHIEF, OFFICE OF CIVIL ENGINEERING				
UNLESS OTHERWISE SPECIFIED: ALL DIMENSIONS ARE IN INCHES. TOLERANCES: DIM. $\pm 1/32$ ANG. $\pm 1^\circ$			DRAWING NUMBER	REV.
			121185	
PLOTING SCALE: 1-1/2"=1'-0"			SCALE: AS NOTED	SHEET 8 OF 13



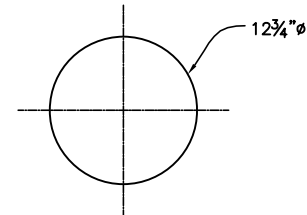
41 CENTER PIPE
SCALE: 1-1/2"=1'-0"



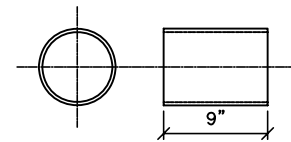
42 UPPER TAB
SCALE: 1-1/2"=1'-0"



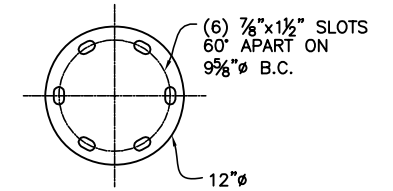
43 LOWER TAB
SCALE: 1-1/2"=1'-0"



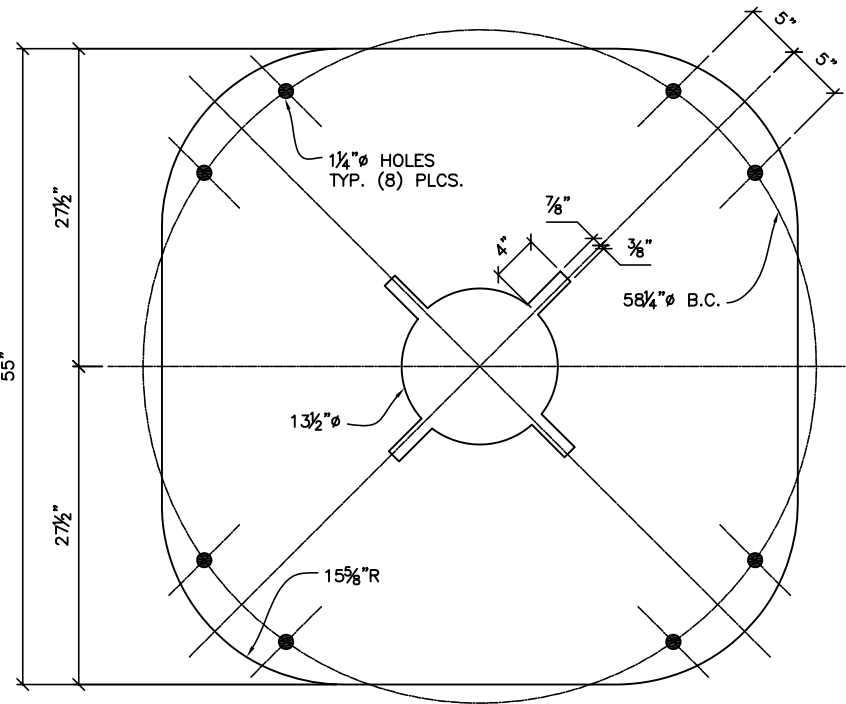
44 END PLATE
SCALE: 1-1/2"=1'-0"



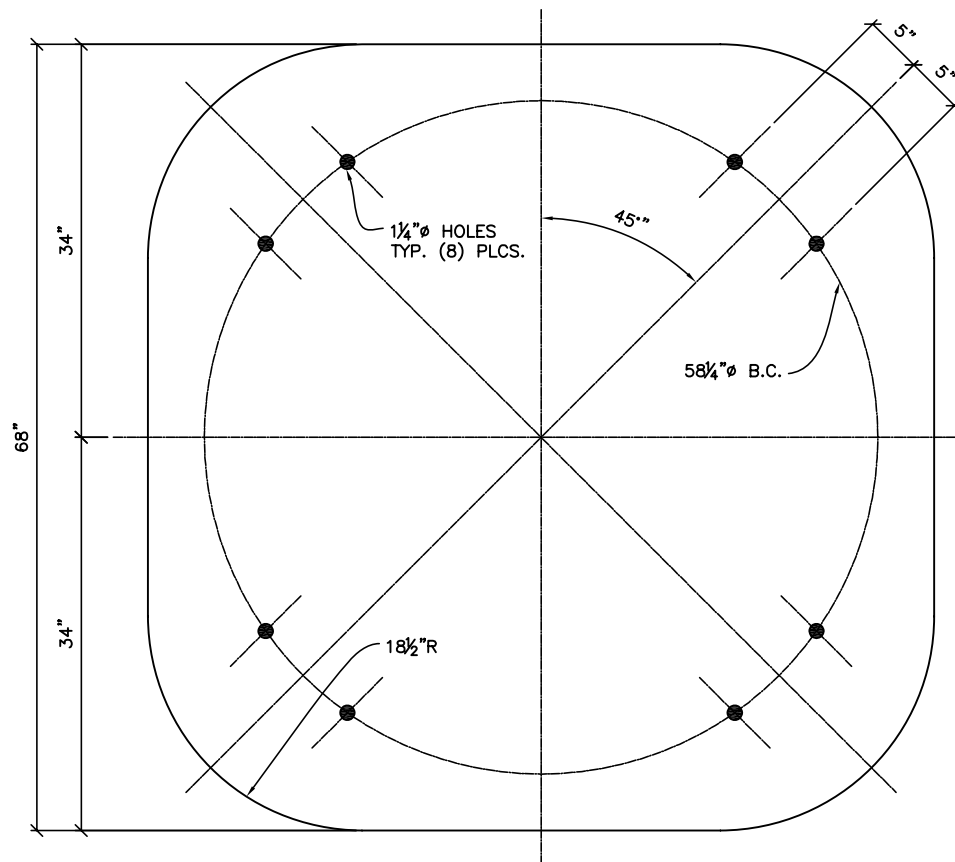
37 SUPPORT PIPE
SCALE: 1-1/2"=1'-0"



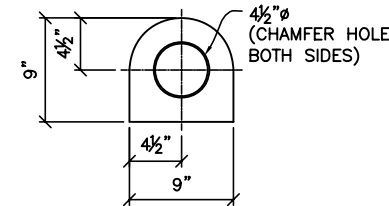
36 MOUNTING FLANGE
SCALE: 1-1/2"=1'-0"



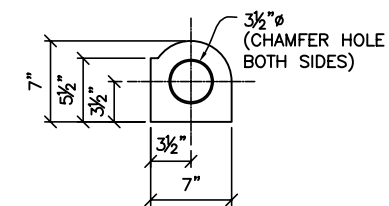
44 BOTTOM PLATE
SCALE: 1-1/2"=1'-0"



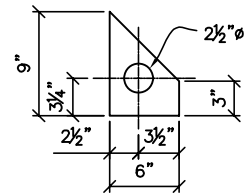
38 TOP PLATE
SCALE: 1-1/2"=1'-0"



35 LIFTING BAIL
SCALE: 1-1/2"=1'-0"

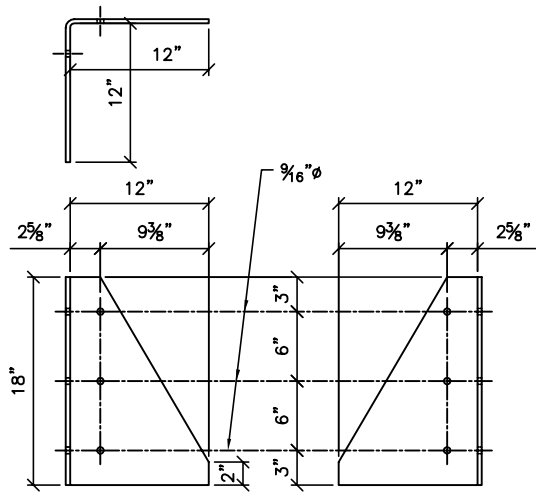


48 MOORING BAIL
SCALE: 1-1/2"=1'-0"



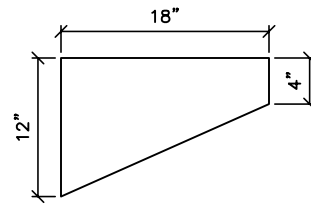
34 GUSSET PLATE
SCALE: 1-1/2"=1'-0"

REV.	DATE	APPR.	DESCRIPTION	BY
DESIGNED:			U.S. COAST GUARD	HEADQUARTERS
DRAWN:	S.M.		OCEAN ENGINEERING	
TRACED:			2007 TYPE	
CHECKED:			8x22 LFR BUOY	
REVIEWED BY:				
Sean McEvoy PROJECT ENGINEER				
REVIEWED BY:				
Dianna Bo CG-432B				
REVIEWED BY:		APPROVED:	S.D. Walker, acting	DATE
S.D. Walker CG-432			CHIEF, OFFICE OF CIVIL ENGINEERING	12/11/07
UNLESS OTHERWISE SPECIFIED: ALL DIMENSIONS ARE IN INCHES. TOLERANCES: DIM. ±1/32 ANG. ±1°			DRAWING NUMBER	REV.
			121185	
SCALE: AS NOTED			SHEET 9	OF 13



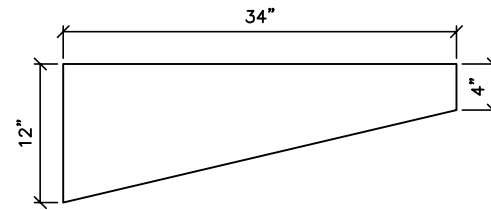
33 TOWER FOOT

SCALE: 1-1/2"=1'-0"



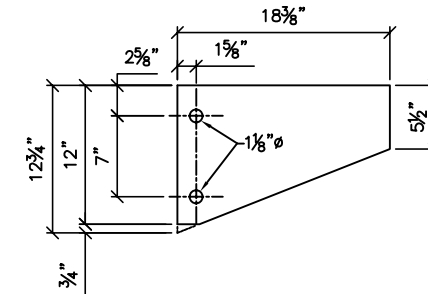
39 DECK PLATE GUSSET

SCALE: 1-1/2"=1'-0"



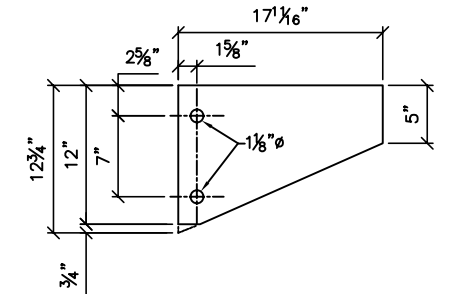
40 DECK PLATE GUSSET

SCALE: 1-1/2"=1'-0"



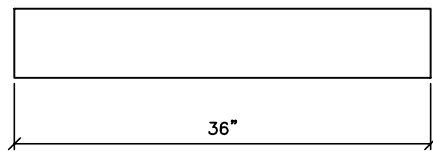
46 BOTTOM PLATE GUSSET

SCALE: 1-1/2"=1'-0"



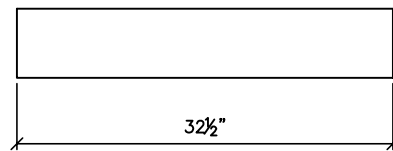
47 BOTTOM PLATE GUSSET

SCALE: 1-1/2"=1'-0"



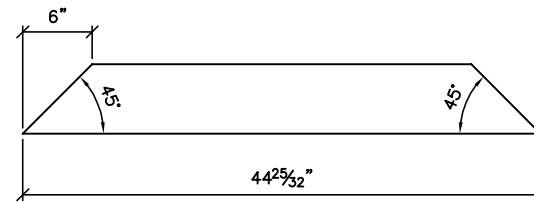
49 BALLAST LEG

SCALE: 1-1/2"=1'-0"



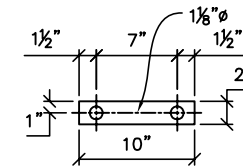
50 BALLAST BASE

SCALE: 1-1/2"=1'-0"



51 BALLAST BASE

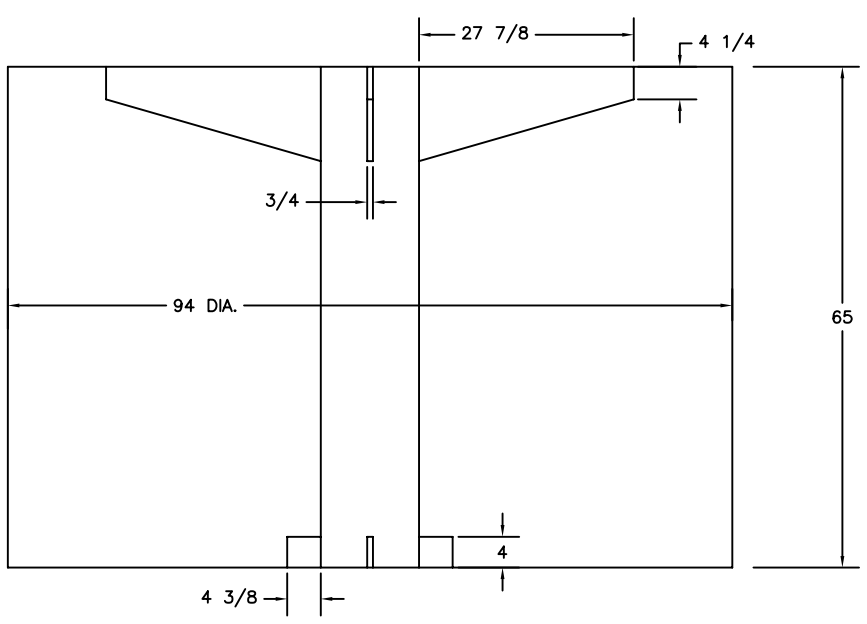
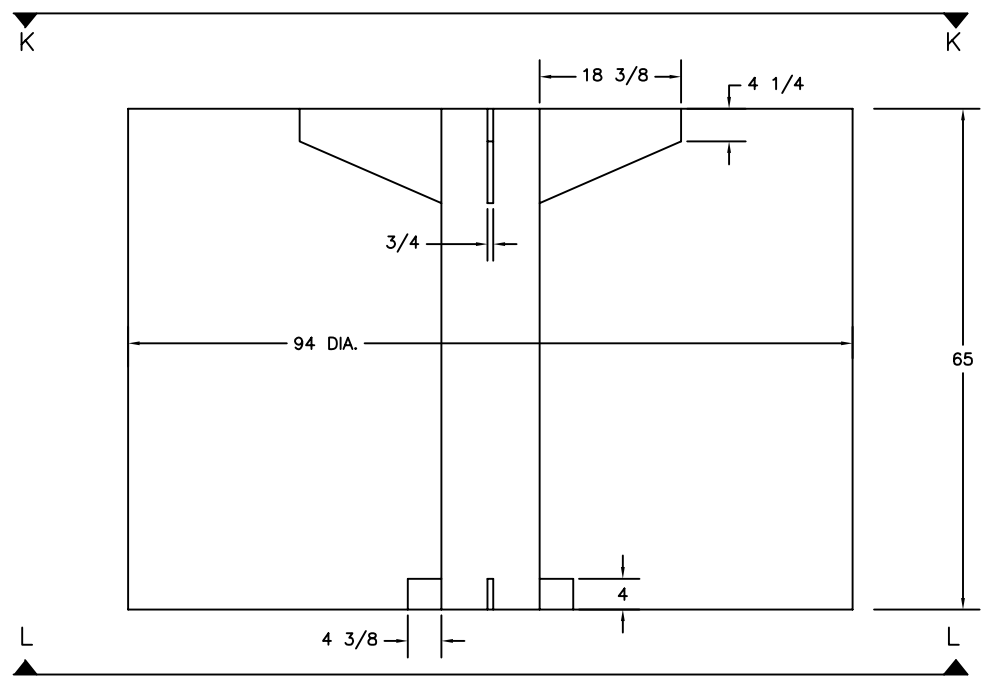
SCALE: 1-1/2"=1'-0"



52 PLATE WASHER

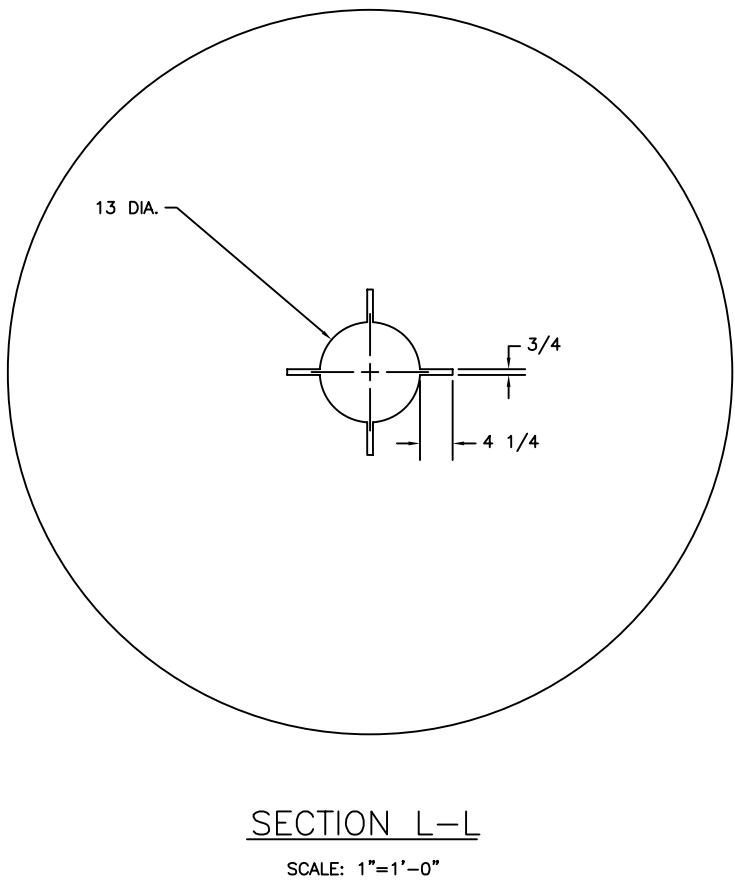
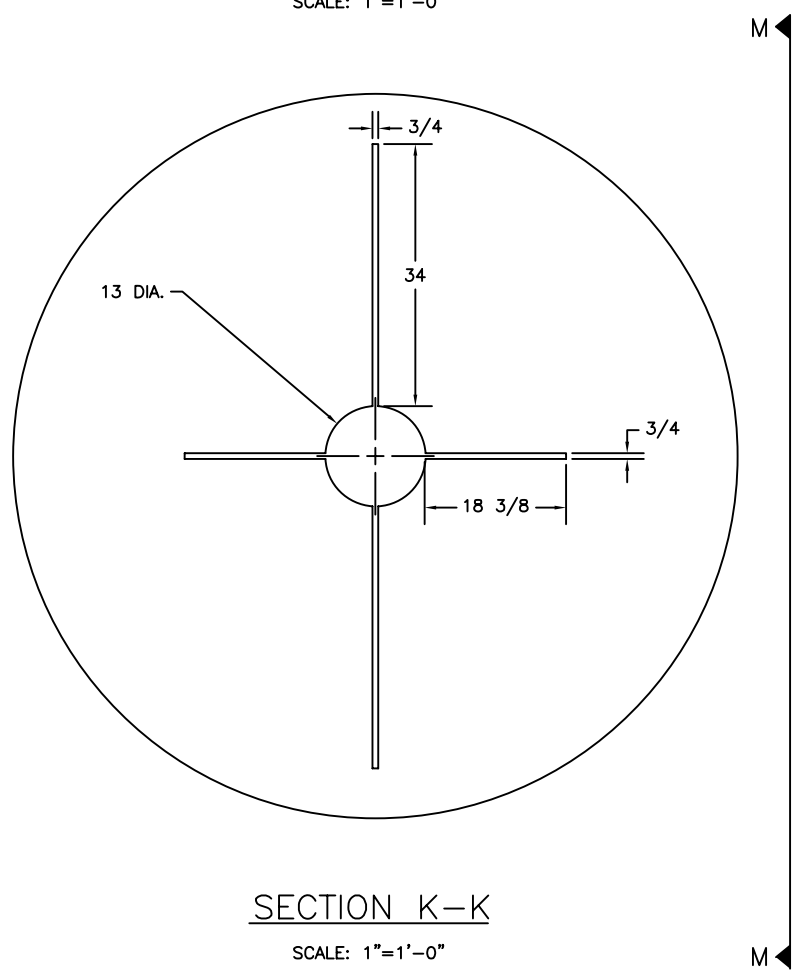
SCALE: 1-1/2"=1'-0"

REV.	DATE	APPR.	DESCRIPTION	BY
DESIGNED:			U.S. COAST GUARD	HEADQUARTERS
DRAWN:	S.M.		OCEAN ENGINEERING	
TRACED:			2007 TYPE	
CHECKED:			8x22 LFR BUOY	
REVIEWED BY:				
			Sean McEvoy	
			PROJECT ENGINEER	
			REVIEWED BY:	
			Dianna Bo	
			CG-432B	
REVIEWED BY:		APPROVED:	S.D. Walker, acting	DATE
			CHIEF, OFFICE OF CIVIL ENGINEERING	12/11/07
UNLESS OTHERWISE SPECIFIED: ALL DIMENSIONS ARE IN INCHES. TOLERANCES: DIM. ±1/32 ANG. ±1°			DRAWING NUMBER	REV.
			121185	
SCALE: AS NOTED			SHEET 10	OF 13



60 BUOY HULL
SCALE: 1"=1'-0"

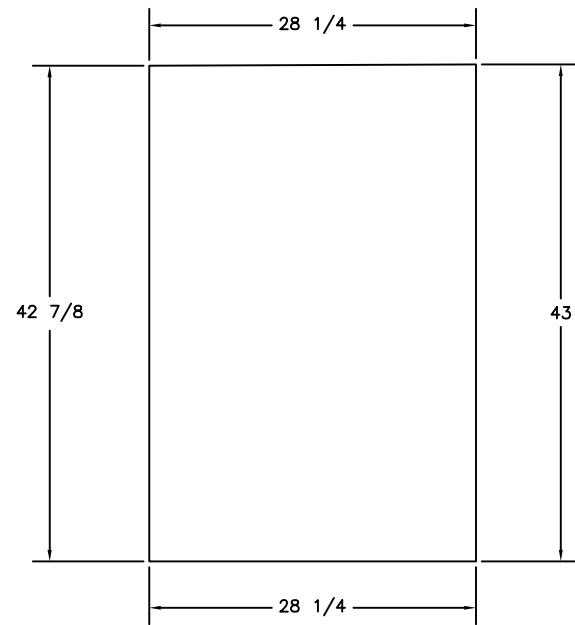
SECTION M-M
SCALE: 1"=1'-0"



SECTION K-K
SCALE: 1"=1'-0"

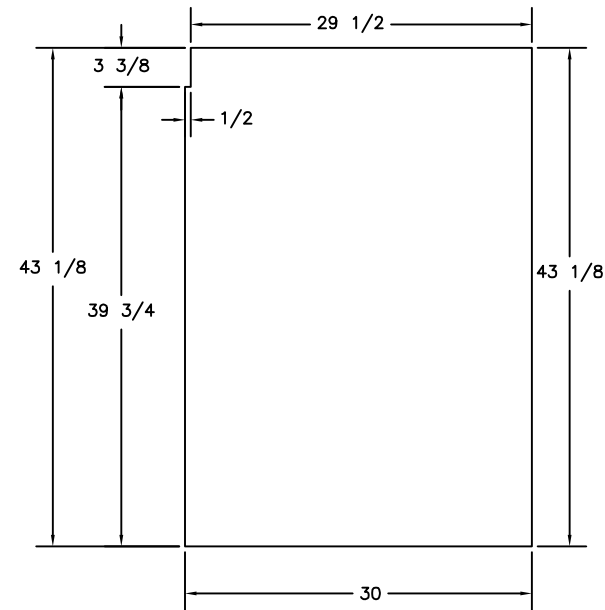
SECTION L-L
SCALE: 1"=1'-0"

REV.	DATE	APPR.	DESCRIPTION	BY
DESIGNED:			U.S. COAST GUARD	HEADQUARTERS
DRAWN:	S.M.		OCEAN ENGINEERING	
TRACED:			2007 TYPE	
CHECKED:			8x22 LFR BUOY	
REVIEWED BY:				
Sean McEvoy PROJECT ENGINEER				
REVIEWED BY:				
Dianna Bo CG-432B				
REVIEWED BY:				
S.D. Walker CG-432		APPROVED:	S.D. Walker, acting	DATE 12/11/07
UNLESS OTHERWISE SPECIFIED: ALL DIMENSIONS ARE IN INCHES. TOLERANCES: DIM. ±1/32 ANG. ±1°			DRAWING NUMBER 121185	REV.
PLOTING SCALE: 1"=1'-0"			SCALE: AS NOTED	SHEET 11 of 13



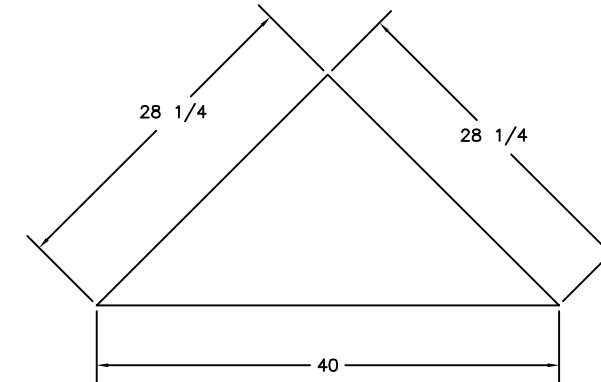
61 UPPER RADAR PANEL

SCALE: 1-1/2"=1'-0"



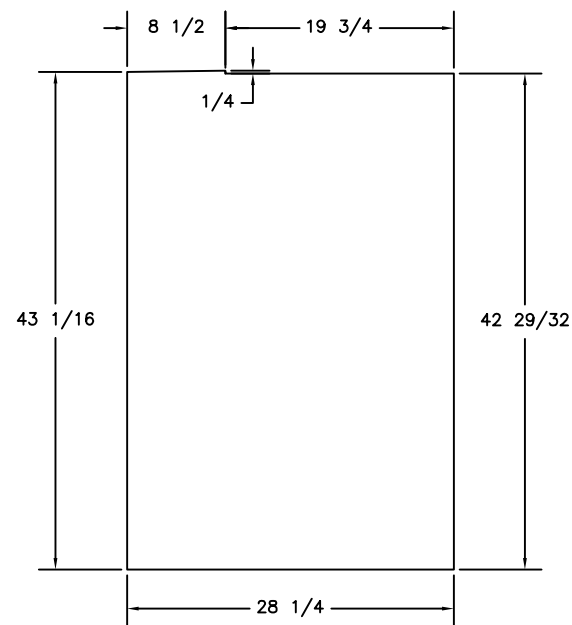
63 LOWER RADAR PANEL

SCALE: 1-1/2"=1'-0"



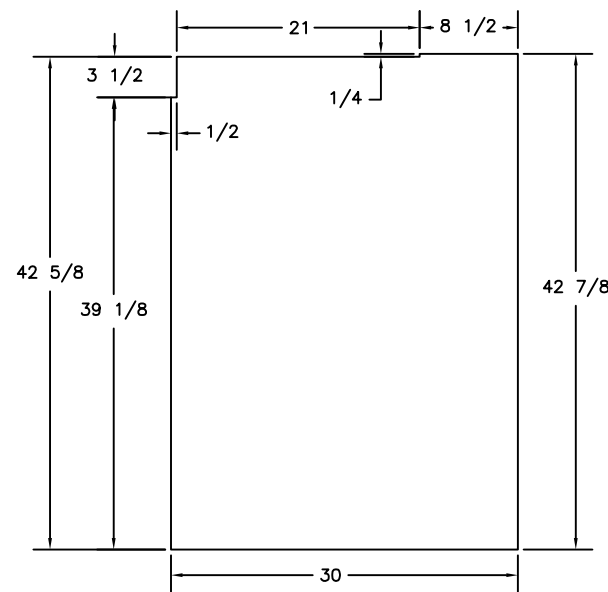
65 HORIZONTAL RADAR PANEL

SCALE: 1-1/2"=1'-0"



62 UPPER RADAR PANEL

SCALE: 1-1/2"=1'-0"



64 LOWER RADAR PANEL

SCALE: 1-1/2"=1'-0"

REV.	DATE	APPR.	DESCRIPTION	BY
DESIGNED:			U.S. COAST GUARD	HEADQUARTERS
DRAWN:	S.M.		CIVIL ENGINEERING	
TRACED:			2007 TYPE	
CHECKED:			8x22 LFR BUOY	
REVIEWED BY:				
Sean McEvoy				
PROJECT ENGINEER				
REVIEWED BY:				
Dianna Bo				
CG-432B				
REVIEWED BY:		APPROVED:	S.D. Walker, acting	DATE
S.D. Walker				12/11/07
CG-432			CHIEF, OFFICE OF CIVIL ENGINEERING	
UNLESS OTHERWISE SPECIFIED: ALL DIMENSIONS ARE IN INCHES. TOLERANCES: DIM. ±1/32 ANG. ±1°			DRAWING NUMBER	REV.
			121185	
SCALE: AS NOTED			SHEET 12	OF 13

BILL OF MATERIALS

ITEM NO.	NO. REQ.	DESCRIPTION	MATL.	REMARKS
1	1	TOP PLATE	ALUM.	59-5/8 DIA. x 1/4 THK.
2	1	UPPER RING	ALUM.	60 DIA. x 4 x 1/4 THK.
3	4	UPPER GUSSET	ALUM.	8 x 8 x 1/4 THK.
4	4	UPPER BACKING ANGLE	ALUM.	3-1/2 x 3-1/2 x 1/4 L.
5	2	UPPER POST	ALUM.	3-1/2 x 3-1/2 x 1/4 L.
6	2	UPPER POST	ALUM.	3-1/2 x 3-1/2 x 1/4 L.
7	1	MIDDLE PLATE	ALUM.	43-1/8 DIA. x 1/4 THK.
8	6	BACKING PLATE	ALUM.	17-13/16 x 3-1/2 x 1/4 THK.
9	6	BACKING PLATE	ALUM.	18-1/16 x 3-1/2 x 1/4 THK.
10	3	UPPER LADDER RUNG	ALUM.	1 SCH 40 PIPE x 32 LG.
11	1	BOTTOM PLATE	ALUM.	43-1/8 DIA. x 1/4 THK.
12	1	LOWER RING	ALUM.	43-1/2 DIA. x 4 x 3/8 THK.
13	4	TOWER LEGS	ALUM.	4 x 4 x 1/2 L
14	1	LOWER LADDER SUPPORT	ALUM.	1 SCH 40 PIPE x 36 LG.
15	1	LOWER LADDER RUNG	ALUM.	1 SCH 40 PIPE x 36 LG.
16	6	X-BRACE	ALUM.	39-1/2 x 3 x 1/4 THK.
17	3	BRACE	ALUM.	20-3/4 x 3 x 1/4 THK.
18	4	LOWER GUSSET	ALUM.	10 x 9-21/32 x 1/4 THK.
19	4	TOWER LEG GUSSET	ALUM.	8 x 2 x 1/4 THK.
20	6	TOWER HANDLE	ALUM.	3/4 DIA. ROD x 20-3/16 LG
21	8	CLEVIS	ALUM.	4-1/2 x 2-1/2 x 1/4 THK.
22	6	HORIZONTAL WASHER PLATE	ALUM.	17-3/16 x 2" x 1/4 THK.
23	6	HORIZONTAL WASHER PLATE	ALUM.	19-1/8 x 2 x 1/4 THK.
24	8	INTERNAL WASHER PLATE	ALUM.	16-1/2 x 2 x 1/4 THK.
25	8	INTERNAL WASHER PLATE	ALUM.	16-13/16 x 2 x 1/4 THK.
26	4	VERTICAL WASHER PLATE	ALUM.	39-3/4 x 2 x 1/4 THK.
27	4	VERTICAL WASHER PLATE	ALUM.	40 x 2 x 1/4 THK.
28	8	ISOLATOR PAD	POLY	16 x 3-3/4 x 1/8 THK.
29	24	SHOULDER WASHER	TEFLON	1/2 ID x 3/4 OD x 1-1/4 FLANGE
30	24	HEX HEAD BOLT	STAIN. STEEL	1/2 - 13UNC x 2-1/2 LONG
31	48	FLAT WASHER	STAIN. STEEL	1/2 NOM.
32	24	HEX HEAD NUT	STAIN. STEEL	1/2 - 13UNC
33	4	TOWER FOOT	STEEL	3/8 THK.
34	4	GUSSET PLATE	STEEL	9 x 6 x 1/2 THK.
35	2	LIFTING BAIL	STEEL	9 x 9 x 1-1/2 THK.
36	1	MOUNTING FLANGE	STEEL	12 DIA. x 1/2 THK.
37	1	STAND SUPPORT PIPE	STEEL	6 SCH 40 PIPE x 9 LG.
38	1	DECK PLATE	STEEL	68 x 68 x 1/2 THK.
39	2	DECK PLATE GUSSET	STEEL	18 x 12 x 1/2 THK.
40	2	DECK PLATE GUSSET	STEEL	34 x 12 x 1/2 THK.
41	1	CENTER PIPE	STEEL	12 SCH 80 PIPE x 101-1/2 LG.
42	4	UPPER TAB	STEEL	20 x 4 x 3/4 THK.
43	4	LOWER TAB	STEEL	7-1/2 x 4 x 3/4 THK.
44	1	END PLATE	STEEL	12-3/4 DIA. x 1/2 THK.
45	1	BOTTOM PLATE	STEEL	20 x 4 x 3/4 THK.
46	2	BOTTOM PLATE GUSSET	STEEL	18-3/8 x 12-3/4 x 3/4 THK.
47	2	BOTTOM PLATE GUSSET	STEEL	17-11/16 x 12-3/4 x 3/4 THK.
48	2	MOORING BAIL	STEEL	7 x 7 x 1-1/2 THK.
49	4	BALLAST LEG	STEEL	6 x 6 x 36 LG SOLID STEEL
50	2	BALLAST BASE	STEEL	6 x 6 x 32-1/2 LG SOLID STEEL
51	2	BALLAST BASE	STEEL	6 x 6 x 44-25/32 LG SOLID STEEL
52	4	WASHER PLATE	STEEL	10 x 2 x 3/8 THK.

BILL OF MATERIALS

ITEM NO.	NO. REQ.	DESCRIPTION	MATL.	REMARKS
53	8	HEX HEAD BOLT	STAIN. STEEL	1 - 8UNC x 3-1/2 LG.
54	16	FLAT WASHER	STAIN. STEEL	1-1/16 ID x 1-3/4 OD
55	16	HEX HEAD NYLOCK BOLT	STAIN. STEEL	1 - 8UNC
56	8	THREADED ROD	STAIN. STEEL	1 - 8UNC x 71-1/2 LG.
57	8	HEAVY HEAD HEX NUT	STAIN. STEEL	1 - 8UNC
58	16	FLAT WASHER	STAIN. STEEL	1-1/16 ID x 2-1/2 OD
59	1	BATTERY BOX	STEEL	SEE DRAWING 121100
60	1	BUOY HULL	FOAM	4 PCF SEE NOTE 1
61	2	UPPER RADAR PANEL	FOAM	7/8 TO 1 THK SEE NOTE 3
62	2	UPPER RADAR PANEL	FOAM	7/8 TO 1 THK SEE NOTE 3
63	2	LOWER RADAR PANEL	FOAM	7/8 TO 1 THK SEE NOTE 3
64	2	LOWER RADAR PANEL	FOAM	7/8 TO 1 THK SEE NOTE 3
65	6	HORIZONTAL RADAR PANEL	FOAM	7/8 TO 1 THK SEE NOTE 3
66	186	HEX HEAD BOLT	STAIN. STEEL	1/2 - 13UNC x 2 LG.
67	372	FLAT WASHER	STAIN. STEEL	1/2 NOM.
68	186	HEX HEAD NYLOCK NUT	STAIN. STEEL	1/2 - 13UNC

NOTES:

- SEE LATEST REVISION OF U.S.C.G. CIVIL ENGINEERING SPECIFICATION No. 450 FOR FABRICATION REQUIREMENTS. DIMENSIONAL TOLERANCES FOR ITEM 60 ARE ±1 FOR THE DIAMETER AND ±1/4 FOR THE HEIGHT.
- TACK WELD ITEM 56 TO ITEM 57.
- FOAM RADAR PANELS CONSIST OF AN ALUMINUM FOIL SHEET HEAT SEALED IN BETWEEN TWO FOAM PANELS. THE MOUNTING HOLES IN THE PANELS SHALL BE BACK DRILLED DURING INSTALLATION TO ENSURE PROPER ALIGNMENT.
- THE HORIZONTAL FOAM RADAR PANELS (ITEM 65) SHALL BE MOUNTED TO ITEMS 7 AND 11 USING ITEMS 66, 67 AND 68.

REV.	DATE	APPR.	DESCRIPTION	BY
DESIGNED:			U.S. COAST GUARD	HEADQUARTERS
DRAWN:	S.M.		OCEAN ENGINEERING	
TRACED:			2007 TYPE	
CHECKED:			8x22 LFR BUOY	
REVIEWED BY:				
Sean McEvoy PROJECT ENGINEER				
REVIEWED BY:				
Dianna Bo CG-432B				
REVIEWED BY:				
S.D. Walker CG-432			S.D. Walker, acting	12/11/07
APPROVED:			CHIEF, OFFICE OF CIVIL ENGINEERING	
UNLESS OTHERWISE SPECIFIED: ALL DIMENSIONS ARE IN INCHES. TOLERANCES: DIM. ±1/32 ANG. ±1°			DRAWING NUMBER	REV.
			121185	
SCALE: AS NOTED			SHEET 13	OF 13