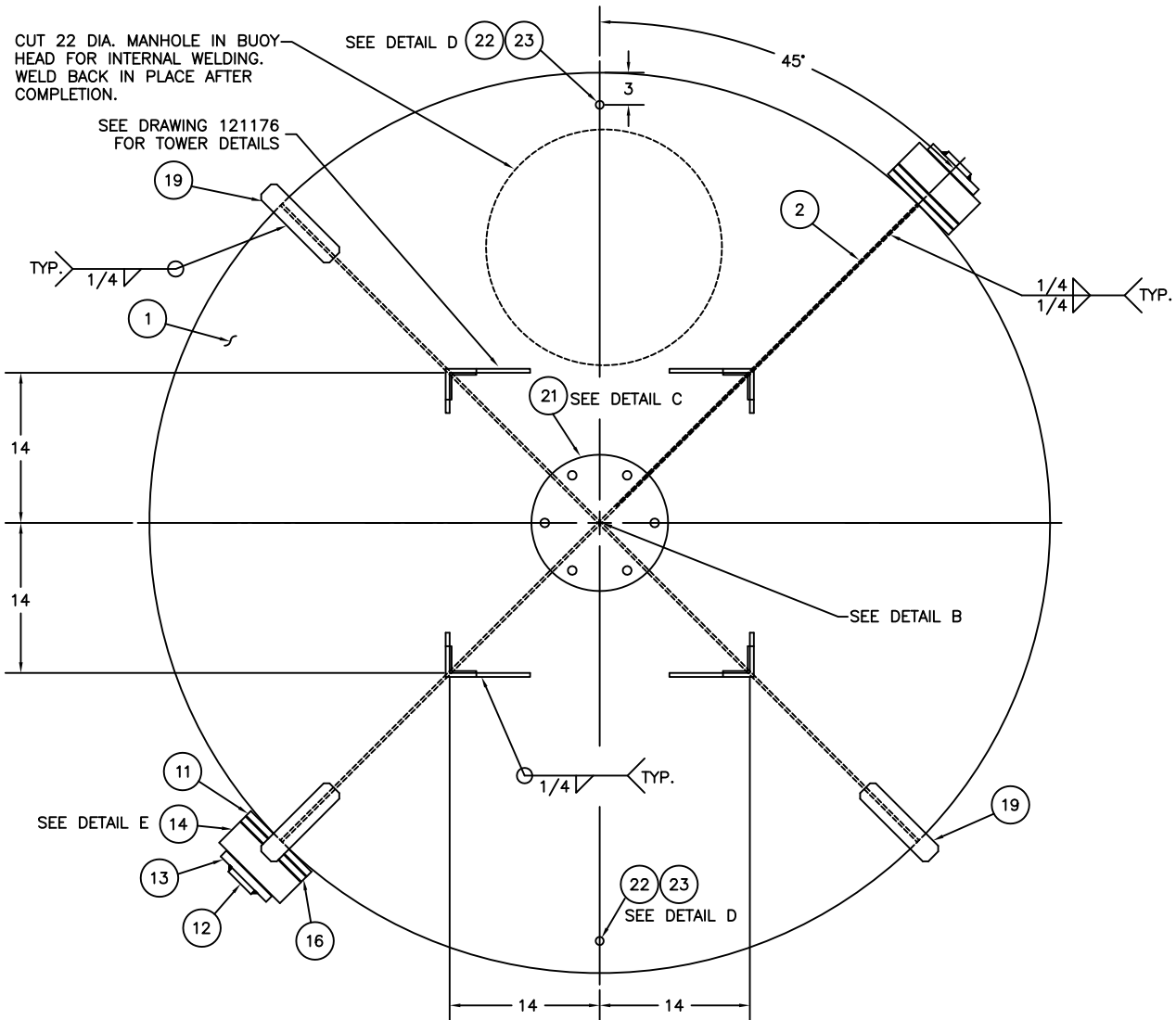


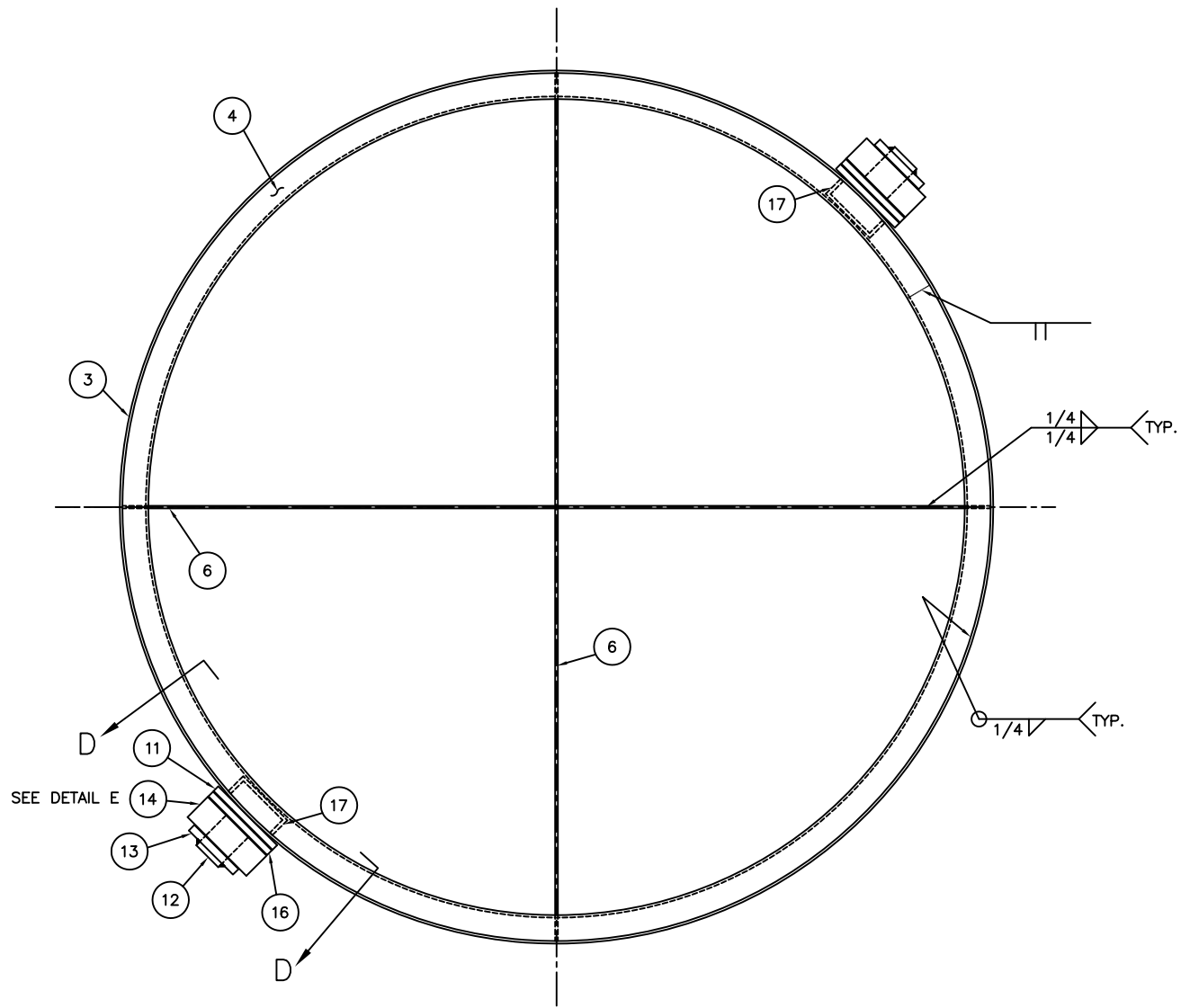
7x17LR BUOY ASSEMBLY

SCALE: 1 1/2"=1'-0"

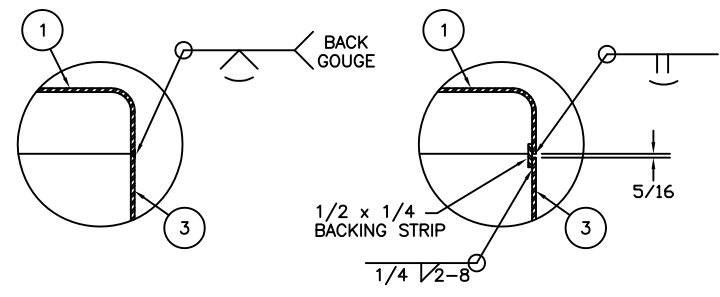
REV.	DATE	APPR.	DESCRIPTION	BY
DESIGNED:			U.S. COAST GUARD	HEADQUARTERS
DRAWN:	S.M.		CIVIL ENGINEERING	
TRACED:			2010 TYPE	
CHECKED:	S.M.		7x17LR BUOY	
REVIEWED BY:				
Sean McEvoy				
PROJECT ENGINEER				
REVIEWED BY:				
Wayne Danzik				
CG-432B				
REVIEWED BY:		APPROVED:	Stan Walker /for	DATE
Stan Walker				03/11/10
CG-432			CHIEF, CG-43	
UNLESS OTHERWISE SPECIFIED: ALL DIMENSIONS ARE IN INCHES. TOLERANCES: DIM. ±1/8 ANG. ±1°			DRAWING NUMBER	REV.
			121191	
PLOTING SCALE: 1-1/2"=1'-0"			SCALE: AS NOTED	SHEET 1 OF 4



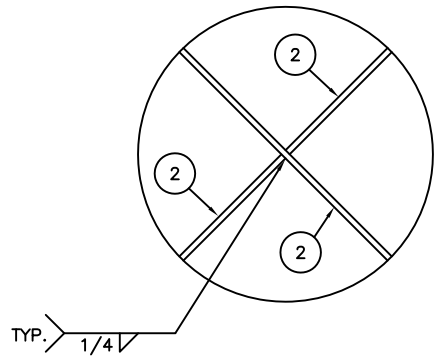
SECTION A-A
SCALE: 1 1/2"=1'-0"



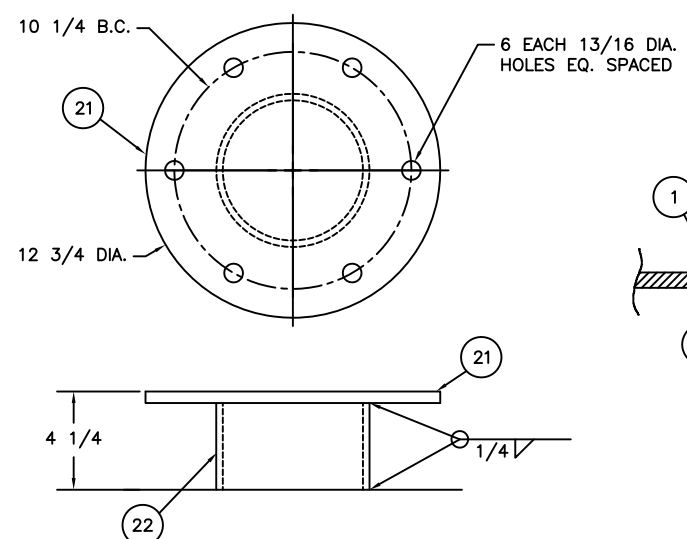
SECTION B-B
SCALE: 1 1/2"=1'-0"



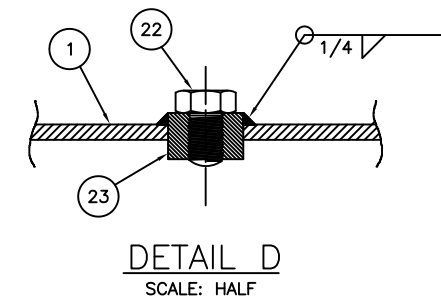
DETAIL A
SCALE: NONE
SCALE: NONE
OPTIONAL



DETAIL B
SCALE: NONE

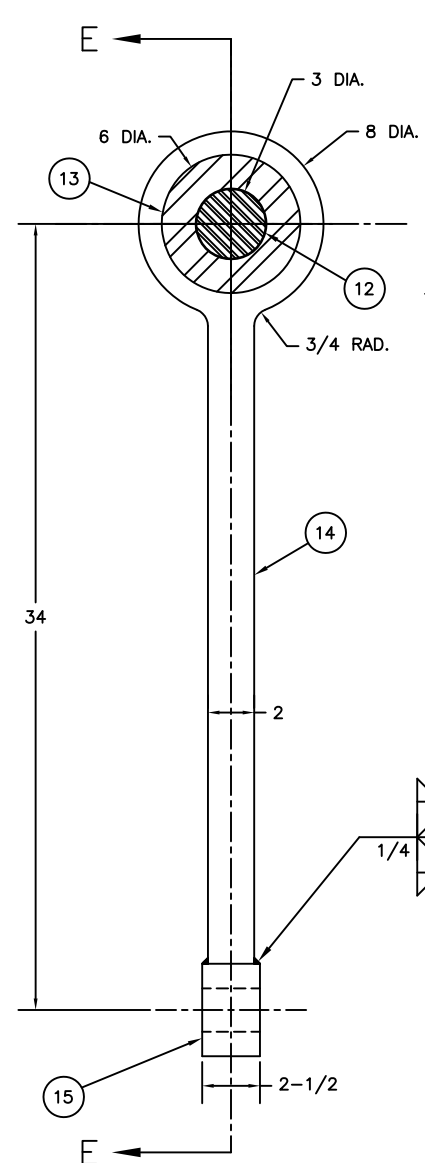
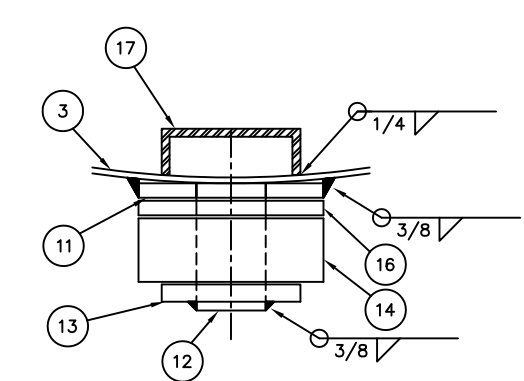


DETAIL C
SCALE: 3"=1'-0"

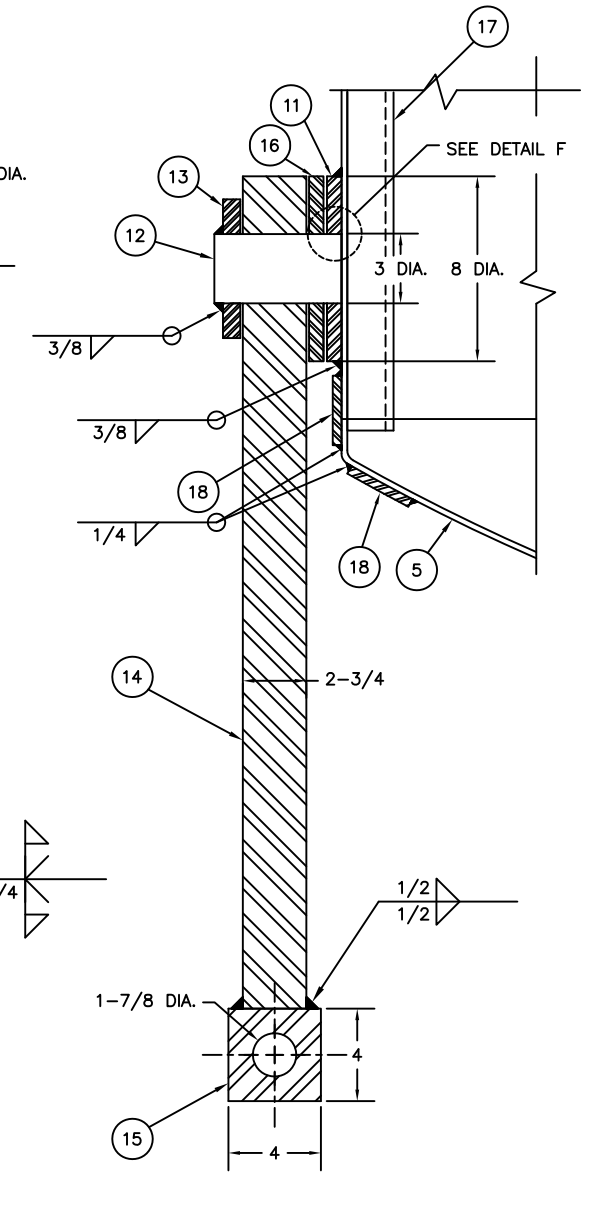


DETAIL D
SCALE: HALF

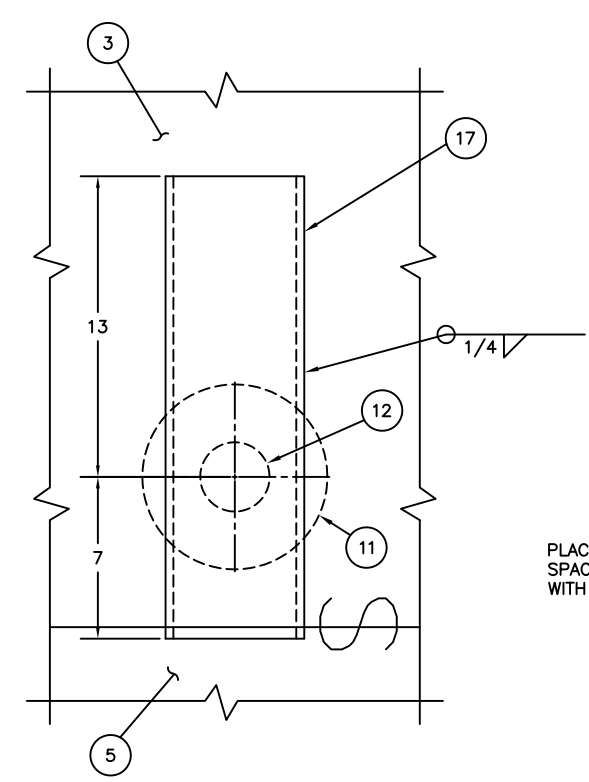
REV.	DATE	APPR.	DESCRIPTION	BY
DESIGNED:			U.S. COAST GUARD	HEADQUARTERS
DRAWN:	S.M.		CIVIL ENGINEERING	
TRACED:			2010 TYPE	
CHECKED:	S.M.		7x17LR BUOY	
REVIEWED BY:				
Sean McEvoy PROJECT ENGINEER				
Wayne Danzik CG-432B				
REVIEWED BY:		APPROVED:		DATE
Stan Walker CG-432		Stan Walker /for		03/11/10
UNLESS OTHERWISE SPECIFIED: ALL DIMENSIONS ARE IN INCHES. TOLERANCES: DIM. ±1/8 ANG. ±1°			DRAWING NUMBER	REV.
			121191	
PLOTING SCALE: 1-1/2"=1'-0"			SCALE: AS NOTED	SHEET 2 OF 4



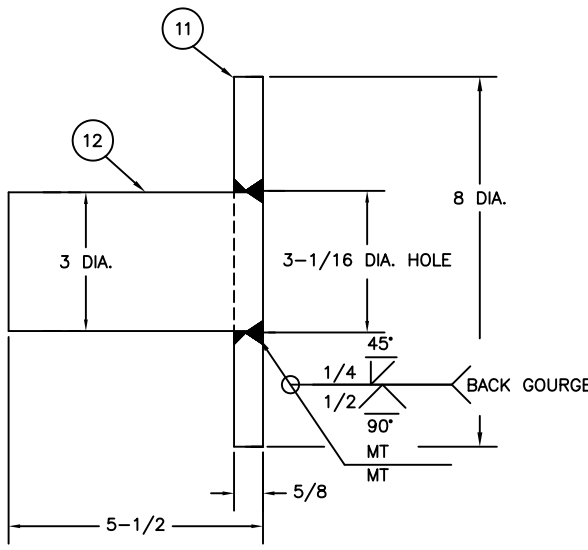
DETAIL E
SCALE: 3"=1'-0"



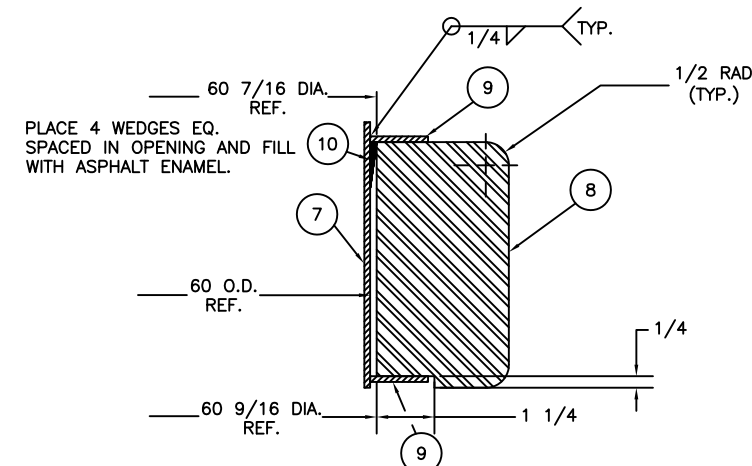
SECTION E-E
SCALE: 3"=1'-0"



SECTION D-D
SCALE: 3"=1'-0"



DETAIL F
SCALE: HALF



SECTION C-C
SCALE: 3"=1'-0"

REV.	DATE	APPR.	DESCRIPTION	BY
DESIGNED:			U.S. COAST GUARD	HEADQUARTERS
DRAWN:	S.M.		CIVIL ENGINEERING	
TRACED:			2010 TYPE	
CHECKED:	S.M.		7x17LR BUOY	
REVIEWED BY:				
Sean McEvoy				
PROJECT ENGINEER				
REVIEWED BY:				
Wayne Danzik				
CG-432B				
REVIEWED BY:				
Stan Walker			Stan Walker /for	03/11/10
CG-432			CHIEF, CG-43	
UNLESS OTHERWISE SPECIFIED: ALL DIMENSIONS ARE IN INCHES. TOLERANCES: DIM. ±1/8 ANG. ±1°			DRAWING NUMBER	REV.
			121191	
SCALE: AS NOTED			SHEET 3	OF 4

BILL OF MATERIALS

ITEM NO.	NO. REQ.	DESCRIPTION	MATL.	REMARKS
1	1	TOP HEAD	STEEL	84 DIA. x 1/4 THK.
2	4	TOP HEAD STIFFNERS	STEEL	2-1/2 x 1/4 THK.
3	1	WRAPPER	STEEL	84 DIA. x 1/4 THK.
4	1	WRAPPER STIFFNER	STEEL	2-1/2 x 2-1/2 x 1/4 L
5	1	BOTTOM HEAD	STEEL	84 DIA. x 1/4 THK.
6	2	BOTTOM HEAD STIFFNER	STEEL	11-9/16 x 1/4 THK.
7	1	COUNTERWEIGHT TUBE	STEEL	60 DIA. x 1/4 THK.
8	1	COUNTERWEIGHT	CAST IRON	SEE NOTE 2
9	2	COUNTERWEIGHT SUPPORT RING	STEEL	2-1/2 x 1/4 THK.
10	4	WEDGE	STEEL	2 x 2 x 7/32 THK.
11	2	MOORING ARM SUPPORT PLATE	STEEL	8 O.D. x 3-1/16 I.D. x 5/8 THK.
12	2	MOORING ARM PIN	STEEL	3 DIA. x 5-1/2 LG.
13	2	MOORING ARM PIN WASHER	STEEL	6 O.D. x 3-1/16 I.D. x 3/4 THK.
14	2	MOORING ARM	STEEL	2-3/4 THK.
15	2	MOORING ARM END	STEEL	4 x 4 x 2-1/2 THK.
16	2	MOORING ARM SPACER	STEEL	8 O.D. x 3-1/16 I.D. x 5/8 THK.
17	2	MOORING PIN STIFFNER	STEEL	C 6.5 x 10.5 x 20 LG.
18	4	CHAFING STRIP	STEEL	24 x 3 x 3/8 THK.
19	3	TOP HEAD LIFT EYE	STEEL	SEE DRAWING 121140
20	1	BELL STAND	STEEL	6 SCH 80
21	1	BELL STAND PLATE	STEEL	12-3/4 DIA. x 1/2 THK.
22	2	PIPE PLUG	STAIN. STEEL	3/4 NPT
23	2	HALF COUPLING	STAIN. STEEL	3/4 NPT

NOTES:

- SEE LATEST REVISION OF U.S.C.G. CIVIL ENGINEERING SPECIFICATION No. 464 FOR FABRICATION REQUIREMENTS
- THE TOTAL WEIGHT OF ITEM 13 SHALL BE 3,100 LBS. (+5% OR - 1%).

REV.	DATE	APPR.	DESCRIPTION	BY
DESIGNED:			U.S. COAST GUARD	HEADQUARTERS
DRAWN: S.M.			CIVIL ENGINEERING	
TRACED:			2010 TYPE	
CHECKED: S.M.			7x17LR BUOY	
REVIEWED BY:				
Sean McEvoy PROJECT ENGINEER				
REVIEWED BY:				
Wayne Danzik CG-432B				
REVIEWED BY:		APPROVED:		DATE
Stan Walker CG-432		Stan Walker /for		03/11/10
UNLESS OTHERWISE SPECIFIED: ALL DIMENSIONS ARE IN INCHES. TOLERANCES: DIM. ±1/8 ANG. ±1°			DRAWING NUMBER	REV.
			121191	
SCALE: AS NOTED			SHEET 4	OF 4