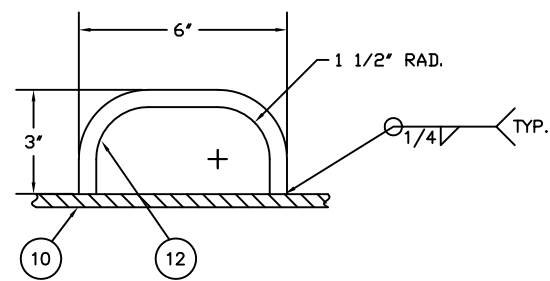
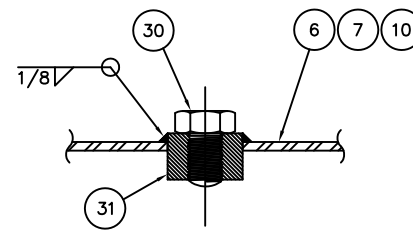


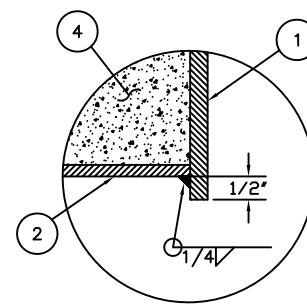
7x20 LIR BUOY  
SCALE: 1-1/2"=1'-0"



DETAIL A  
SCALE: NONE

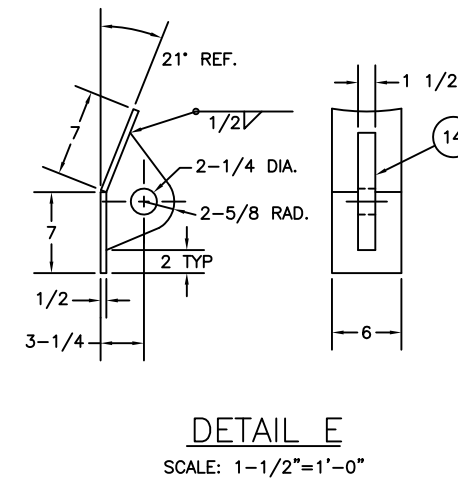
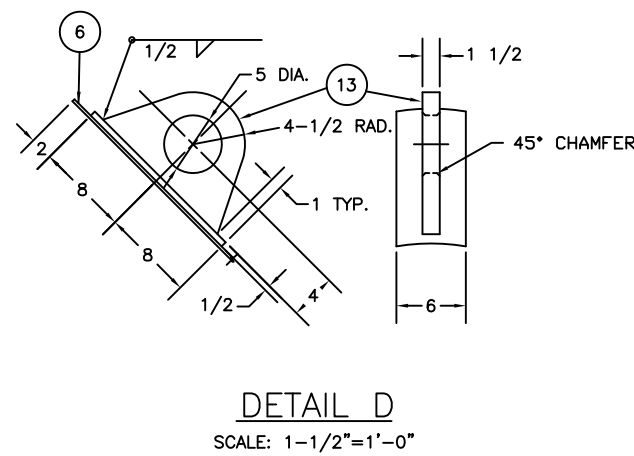
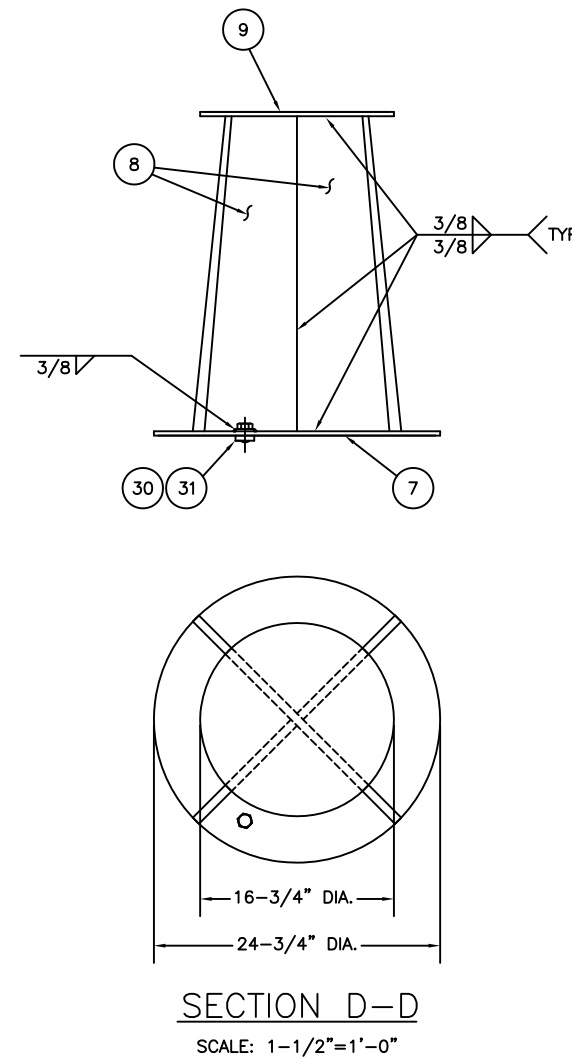
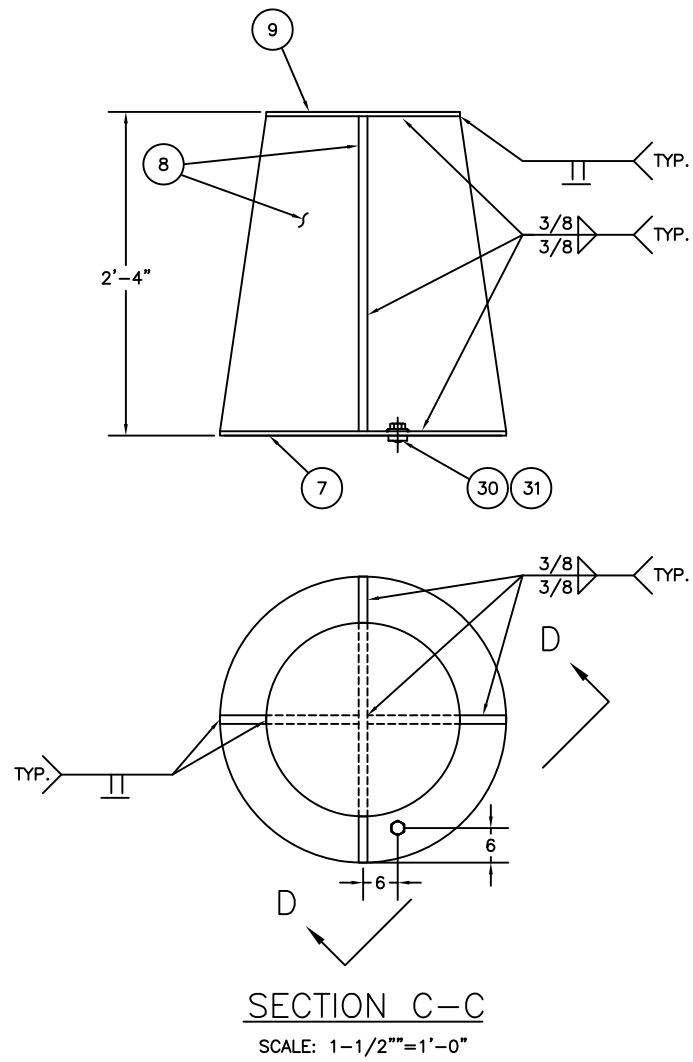
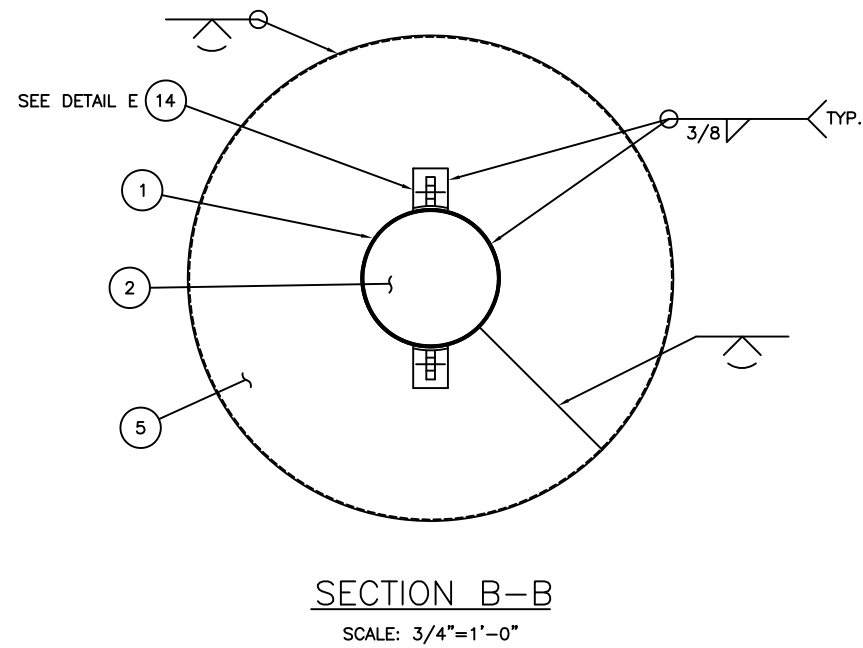
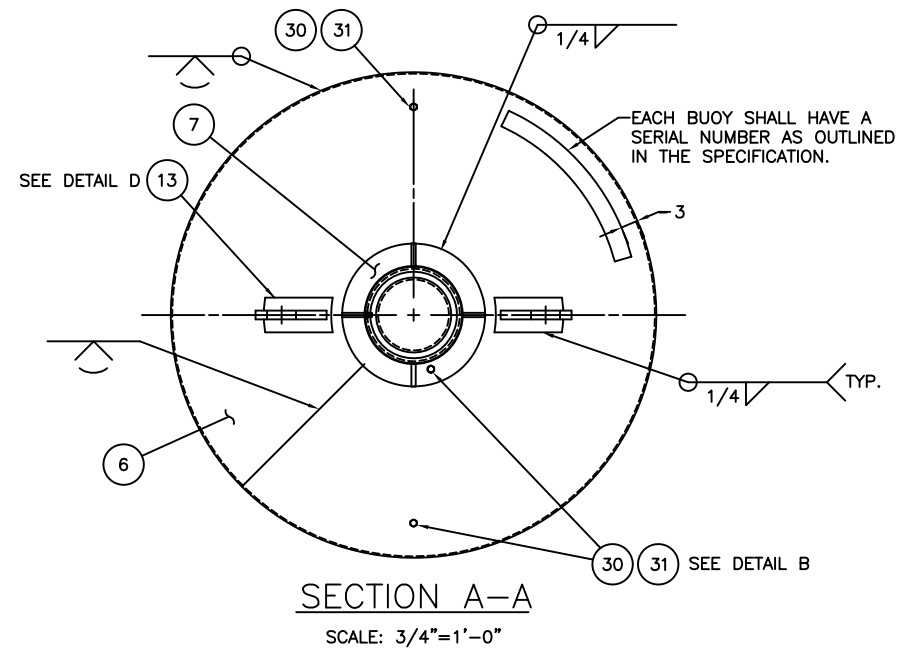


DETAIL B  
SCALE: NONE

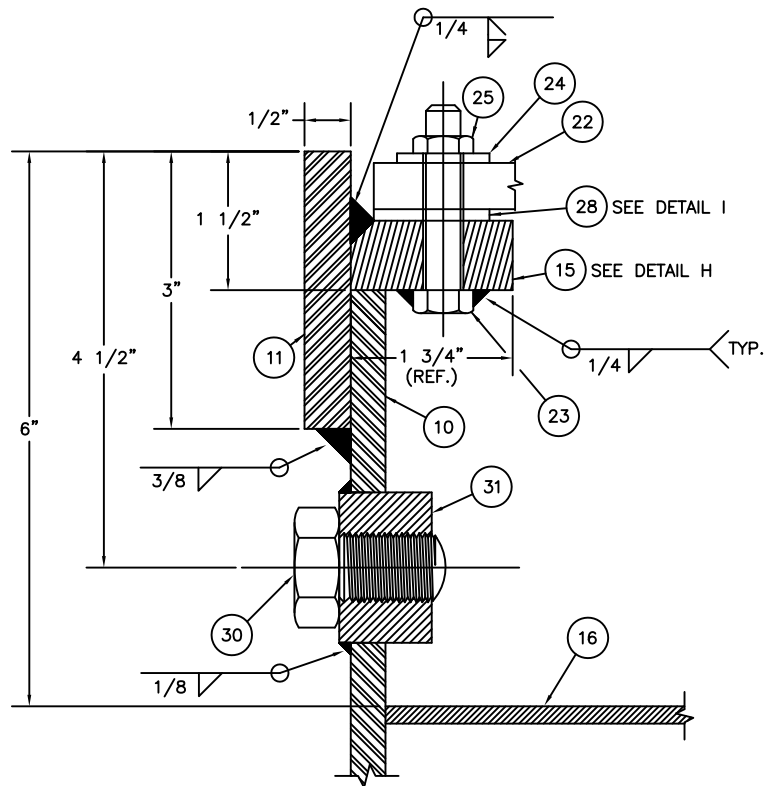


DETAIL C  
SCALE: NONE

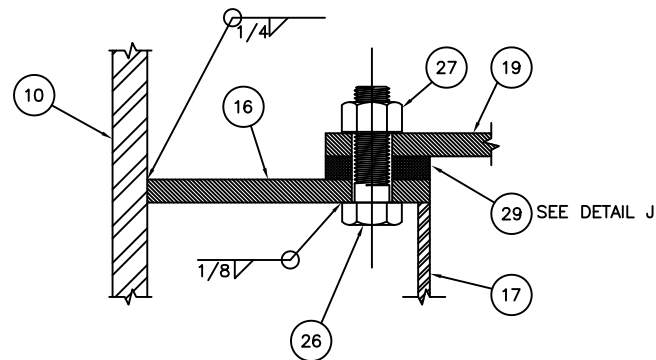
REV.	DATE	APPR.	DESCRIPTION	BY
A	10-7-16	WD	MODIFIED THICKNESS OF ITEM 28.	SM
DESIGNED:	S.M.	U.S. COAST GUARD HEADQUARTERS		
DRAWN:	S.M.	CIVIL ENGINEERING		
TRACED:		2010 TYPE		
CHECKED:		7x20LIR		
REVIEWED BY:		ICE BUOY		
PROJECT ENGINEER	S. McEvoy	APPROVED:	Stan Walker for	DATE
REVIEWED BY:	W. Danzik	CG-432B	CHIEF, CG-43	03/15/2011
REVIEWED BY:	S. Walker	CG-432		
UNLESS OTHERWISE SPECIFIED: ALL DIMENSIONS ARE IN INCHES. TOLERANCES: DIM. ±1/8 ANG. ±1°			DRAWING NUMBER	REV.
			121193	A
PLOTING SCALE: 1-1/2"=1'-0"			SCALE: AS NOTED	SHEET 1 OF 4



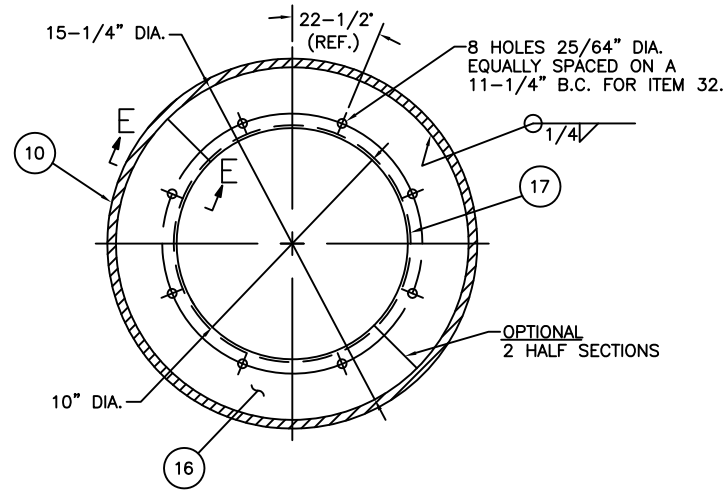
REV.	DATE	APPR.	DESCRIPTION	BY
A	10-7-16	WD	MODIFIED THICKNESS OF ITEM 28.	SM
DESIGNED:	S.M.	U.S. COAST GUARD HEADQUARTERS		
DRAWN:	S.M.	CIVIL ENGINEERING		
TRACED:		2010 TYPE		
CHECKED:		7x20LIR		
REVIEWED BY:		ICE BUOY		
PROJECT ENGINEER	S. McEvoy	APPROVED:	Stan Walker	DATE
REVIEWED BY:	W. Danzik	CG-432B	for	03/15/2011
REVIEWED BY:	S. Walker	CG-432	CHIEF, CG-43	
UNLESS OTHERWISE SPECIFIED: ALL DIMENSIONS ARE IN INCHES. TOLERANCES: DIM. ±1/8 ANG. ±1°		DRAWING NUMBER	121193	REV. A
		SCALE: AS NOTED	SHEET 2	OF 4



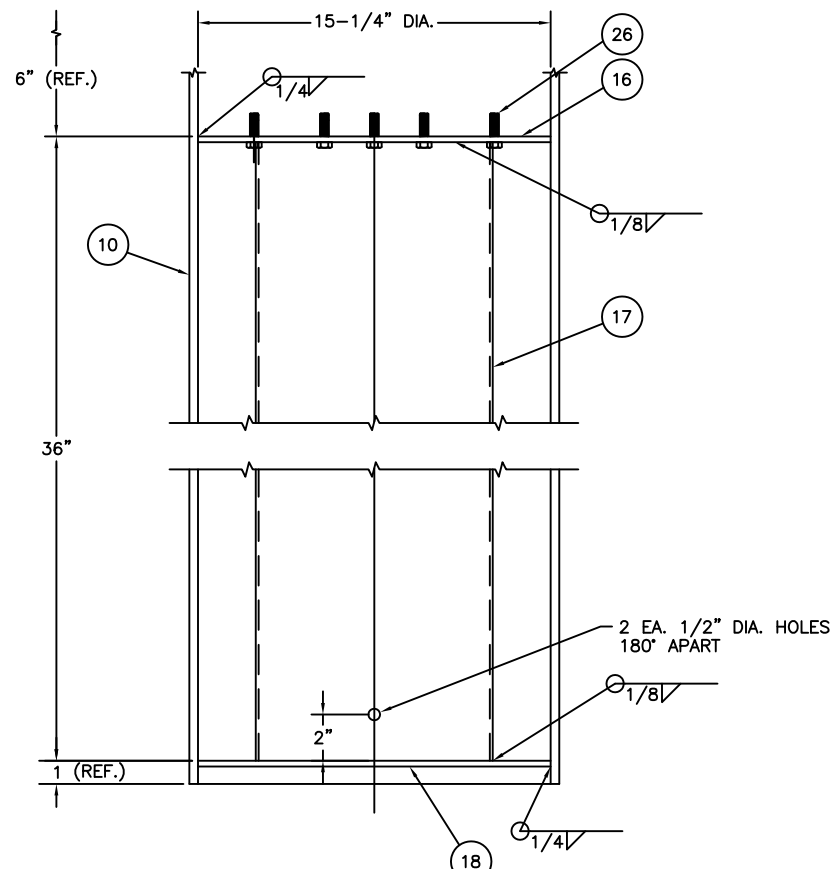
**DETAIL F**  
SCALE: NONE



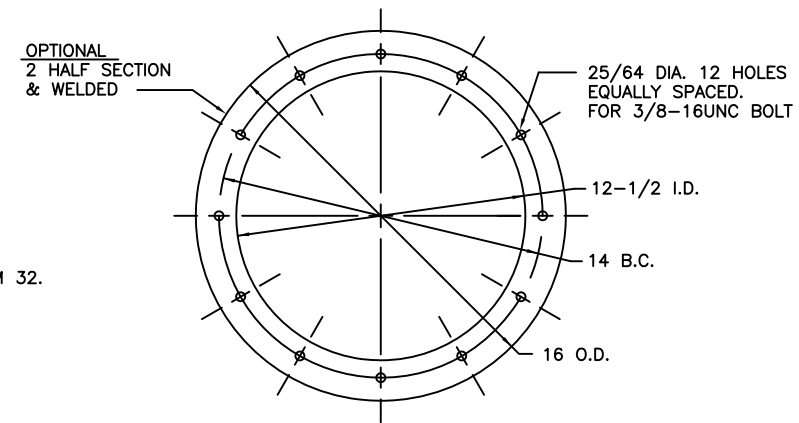
**SECTION E-E**  
SCALE: NONE



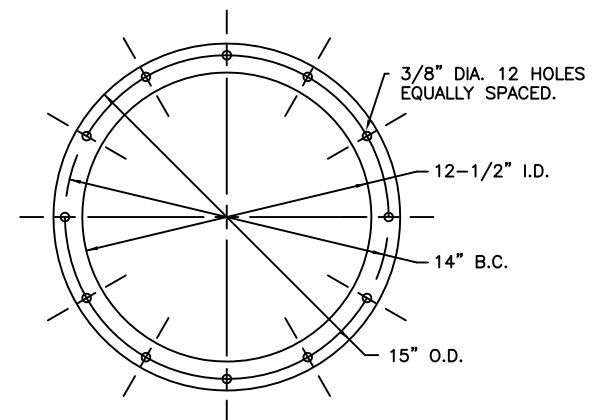
**DETAIL G**  
SCALE: 3"=1'-0"



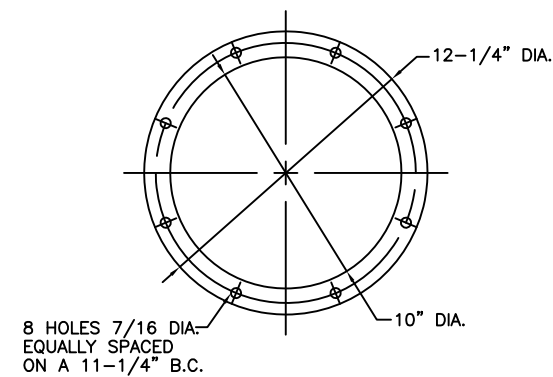
**DETAIL H**  
SCALE: 3"=1'-0"



**15 DETAIL I**  
SCALE: 3"=1'-0"



**28 DETAIL J**  
SCALE: 3"=1'-0"



**29 DETAIL K**  
SCALE: 3"=1'-0"

REV.	DATE	APPR.	DESCRIPTION	BY
A	10-7-16	WD	MODIFIED THICKNESS OF ITEM 28.	SM
DESIGNED:	S.M.	U.S. COAST GUARD HEADQUARTERS		
DRAWN:	S.M.	CIVIL ENGINEERING		
TRACED:		2010 TYPE		
CHECKED:		7x20LIR		
REVIEWED BY:		ICE BUOY		
PROJECT ENGINEER	S. McEvoy	APPROVED:	Stan Walker	DATE
REVIEWED BY:	W. Danzik	CG-432B	for	03/15/2011
REVIEWED BY:	S. Walker	CG-432	CHIEF, CG-43	
UNLESS OTHERWISE SPECIFIED: ALL DIMENSIONS ARE IN INCHES. TOLERANCES: DIM. ±1/8 ANG. ±1°			DRAWING NUMBER	REV.
			121193	A
SCALE: AS NOTED			SHEET 3	of 4

**BILL OF MATERIALS**

ITEM NO.	NO. REQ.	DESCRIPTION	MATL.	REMARKS
1	1	COUNTERWEIGHT PIPE	STEEL	24 O.D. 3/8 WALL
2	1	BOTTOM PLATE	STEEL	1/4 THK.
3	3	COUNTERWEIGHT BAR	STEEL	RE-BAR 1x23 LG.
4	1	COUNTERWEIGHT	CONCRETE	SEE NOTE 2
5	1	BOTTOM CONICAL SECTION	STEEL	3/8 THK.
6	1	MIDDLE CONICAL SECTION	STEEL	1/4 THK.
7	1	LOWER RADAR PLATE	STEEL	3/8 THK.
8	3	RADAR PANELS	STEEL	3/4 THK.
9	1	UPPER RADAR PLATE	STEEL	3/8 THK.
10	1	BATTERY POCKET PIPE	STEEL	16 O.D. 3/8 WALL
11	1	TOP RING	STEEL	3 WIDE x 1/2 THK.
12	1	GRAB BAR	STEEL	1/2 DIA. ROD
13	2	LIFTING EYE	STEEL	SEE DETAIL D
14	2	MOORING EYE	STEEL	SEE DETAIL E
15	1	SUPPORT RING	STEEL	SEE DETAIL H
16	1	BATTERY POCKET FLANGE	STEEL	15-1/4 OD x 10 ID x 1/4 THK
17	1	BATTERY POCKET WRAPPER	STEEL	10 ID x 36 LG x 1/8 THK.
18	1	BATTERY POCKET BOTTOM	STEEL	15-1/4 OD x 1/4 THK
19	1	BATTERY POCKET COVER	STEEL	SEE DRAWING 121186
20	1	TOP STIFFENING RING	STEEL	3/8 THKx3 FLAT BAR
21	1	BOTTOM STIFFENING RING	STEEL	3/8 THKx3 FLAT BAR
22	1	MPV-LED ADAPTER PLATE	STAIN. STEEL	SEE DRAWING 121182
23	12	HEX HD. BOLT	STAIN. STEEL	3/8-16x2 LG.
24	12	NYLON WASHER	NYLON	3/8
25	12	STOP NUT	STAIN. STEEL	3/8-16
26	8	HEX HEAD BOLT	STAIN. STEEL	3/8-16UNCx1-1/4 LG
27	8	STOP NUT	STAIN. STEEL	3/8-16UNC
28	1	ADAPTER PLATE GASKET	RUBBER	SEE DETAIL I
29	1	BATTERY POCKET GASKET	RUBBER	SEE DETAIL J
30	4	PIPE PLUG	STAIN. STEEL	3/4 IPS
31	4	HALF COUPLING	STAIN. STEEL	3/4 IPS
32	1	MPV-LED LANTERN		

**NOTES:**

- SEE LATEST REVISION OF U.S.C.G CIVIL ENGINEERING SPECIFICATION No. 464 FOR FABRICATION REQUIREMENTS.
- THE TOTAL WEIGHT OF ITEMS 1, 2, 3, & 4 SHALL BE 3,055# (+5% OR -1%).

▷ FOR REFERENCE ONLY. INSTALLED BY GOVERNMENT AT DESTINATION.

A	10-7-16	WD	MODIFIED THICKNESS OF ITEM 28.	SM
REV.	DATE	APPR.	DESCRIPTION	BY
DESIGNED:	S.M.	U.S. COAST GUARD HEADQUARTERS		
DRAWN:	S.M.	CIVIL ENGINEERING		
TRACED:		2010 TYPE		
CHECKED:		7x20LIR		
REVIEWED BY:		ICE BUOY		
PROJECT ENGINEER	S. McEvoy			
REVIEWED BY:	W. Danzik			
CG-432B		APPROVED:	DATE	
REVIEWED BY:	S. Walker	Stan Walker	for	03/15/2011
CG-432		CHIEF, CG-43		
UNLESS OTHERWISE SPECIFIED: ALL DIMENSIONS ARE IN INCHES. TOLERANCES: DIM. ±1/8 ANG. ±1°		DRAWING NUMBER	REV.	
		121193	A	
SCALE: AS NOTED		SHEET 4	OF 4	