

5x9LCFR
SCALE: 1"=1'-0"

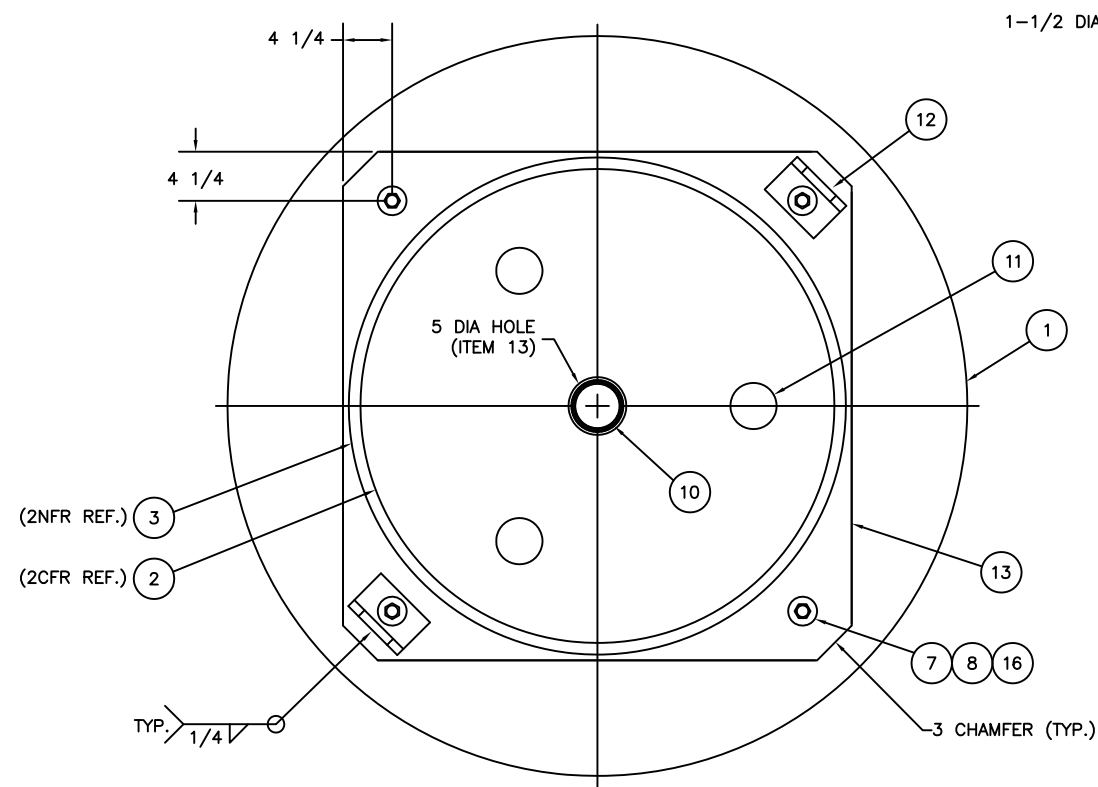
5x9LNFR
SCALE: 1"=1'-0"

BILL OF MATERIALS				
ITEM NO.	NO. REQ.	DESCRIPTION	MATL.	REMARKS
1	1	BUOY BODY	FOAM	4 PCF SEE NOTE 1
2	1	CAN BUOY DAYMARK	FOAM	4 PCF SEE NOTES 1 & 2
3	1	NUN BUOY DAYMARK	FOAM	4 PCF SEE NOTES 1 & 2
4	2	CAGE LINE BAIL	STEEL	1/2 DIA. BAR
5	1	TOP PLATE	STEEL	14 DIA x 1/4 THK
6	1	HEX HEAD BOLT	STAIN. STEEL	1-8 UNC 2A x 2-1/2 LG
7	5	HEX HEAD NYLOCK	STAIN. STEEL	1-8 UNC 2B
8	9	WASHER	STAIN. STEEL	1 NOMINAL
9	1	PIPE CAP PLATE	STEEL	4 DIA x 1/4 THK
10	1	CENTER PIPE	STEEL	4 SCH 80 PIPE x 97-1/2 LG.
11	3	RADAR REFLECTOR		MOBRI M4 SEE NOTE 2
12	2	LIFT EYE	STEEL	8 x 4 x 3/4 L
13	1	DECK PLATE	STEEL	44 SQ x 1/4 THK
14	4	GUSSETS	STEEL	6 x 6 x 1/4 THK.
15				
16	4	THROUGH RODS	STAIN. STEEL	1 x 36 LG.
17	1	BOTTOM PLATE	STEEL	44 SQ x 1/4 THK
18	4	HEX HEAD NUT	STAIN. STEEL	1-8 UNC 2B
19	4	BALLAST LEGS	STEEL	3-1/2 x 3-1/2 x 17 LG SOLID STL
20	4	BALLAST BASE	STEEL	3-1/2 x 3-1/2 SOLID STL
21	4	BALLAST GUSSETS	STEEL	8 x 8-5/8 x 1/4 THK
22	1	MOORING EYE	STEEL	1-1/2 THK PLATE
23	1	PIPE SEAL PLATE	STEEL	1/4 THK
24	3	HEX HEAD BOLT	STAIN. STEEL	1/2-13 UNC 2A x 3 LG.
25	12	WASHER	STAIN. STEEL	1/2 NOM.
26	9	HEX HEAD NUT	STAIN. STEEL	1/2-13 UNC 2B
27	3	RETROREFLECTIVE MATERIAL	---	6 x 27-1/2 SEE NOTE 3
28	3	RETROREFLECTIVE MATERIAL	---	6 x 22-1/2 SEE NOTE 3
29	1	CARMANAH LED LANTERN	---	PROVIDED BY COAST GUARD AT THE UNIT

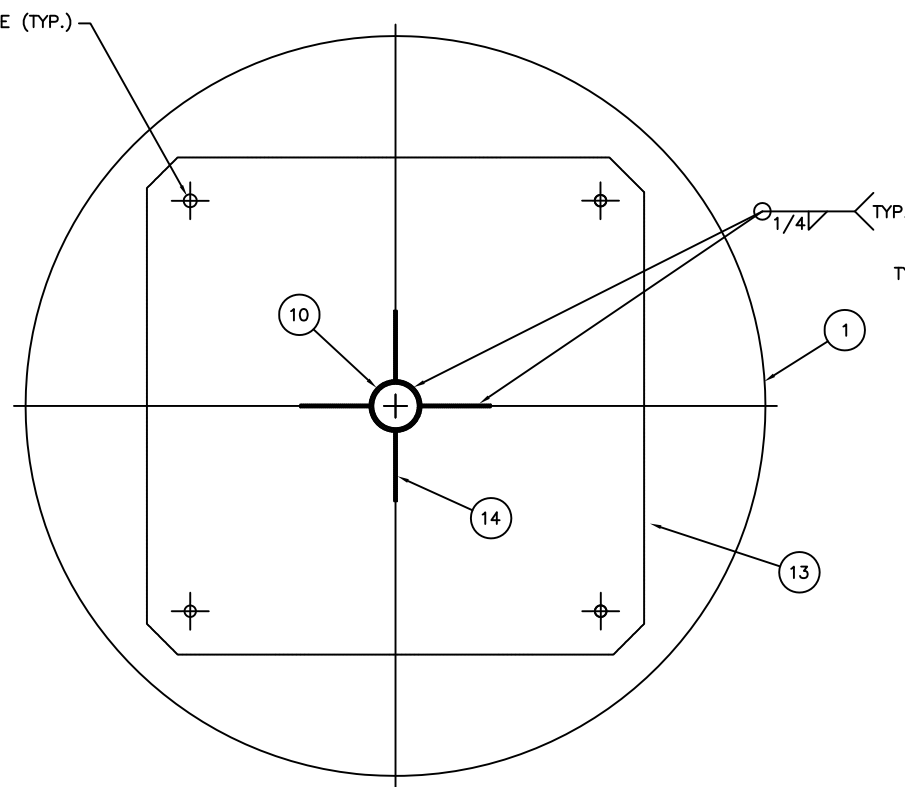
NOTES:

- 1.) SEE LATEST REVISION OF U.S.C.G. CIVIL ENGINEERING SPECIFICATION No. 450 FOR FABRICATION REQUIREMENTS. DIMENSIONAL TOLERANCES FOR ITEM 1 ARE ±1 FOR THE DIAMETER AND ±1/4 FOR THE HEIGHT.
- 2.) CUT HOLES IN ITEMS 2 AND 3 TO PERMIT A TIGHT FIT WITH ITEM 11. FILL VOID WITH IONOMER FOAM PLUGS.
- 3.) INSTALL ITEMS 27 AND 28, 120° APART AND 6 INCHES FROM THE TOP OF THE BUOY.
- 4.) COMPRESS FOAM WITH ITEM 13 UNTIL IT IS COMPRESSED INTO PART 1 APPROXIMATELY 1/4".

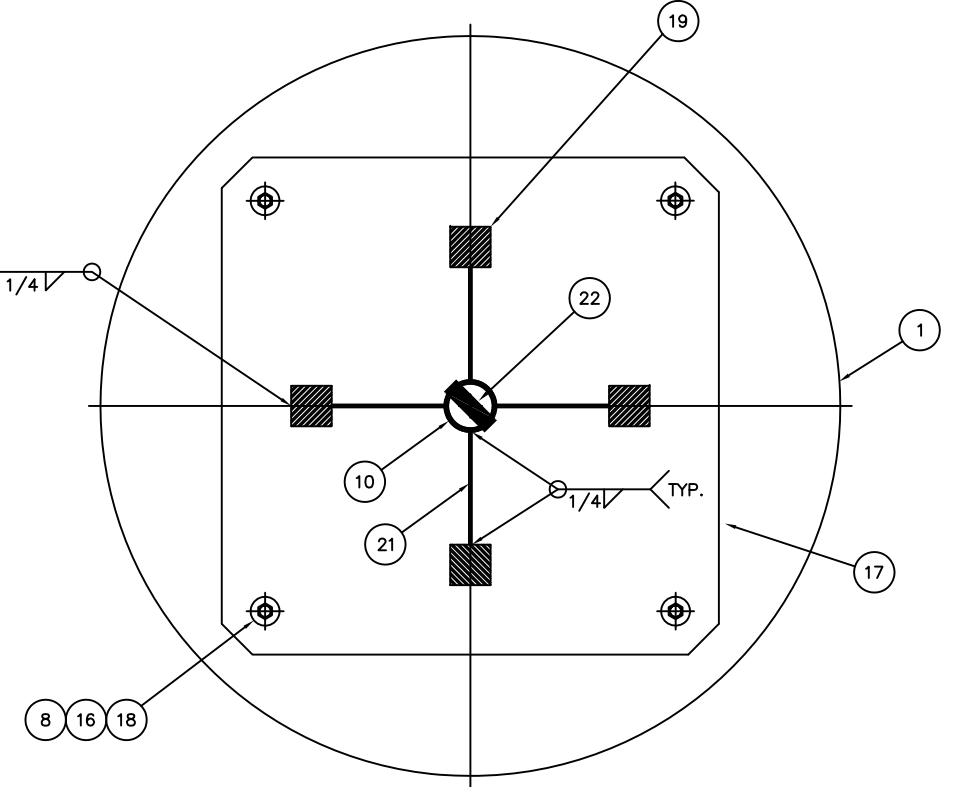
REV.	DATE	APPR.	DESCRIPTION	BY
DESIGNED:			U.S. COAST GUARD	HEADQUARTERS
DRAWN:	S.M.		CIVIL ENGINEERING	
TRACED:			2012 TYPE	
CHECKED:			5X9 LCFR/LNFR	
REVIEWED BY:			BUOY	
PROJECT ENGINEER				
REVIEWED BY:				
W. Danzik				
CG-432B				
REVIEWED BY:			APPROVED:	DATE
S. Walker			Stanley Walker/for	10/18/12
CG-432			CHIEF, CG-43	
UNLESS OTHERWISE SPECIFIED: ALL DIMENSIONS ARE IN INCHES. TOLERANCES: DIM. ±1/16 ANG. ±30°			DRAWING NUMBER	REV.
			121201	
PLOTING SCALE: 1"=1'-0"			SCALE: AS NOTED	SHEET 1 OF 3



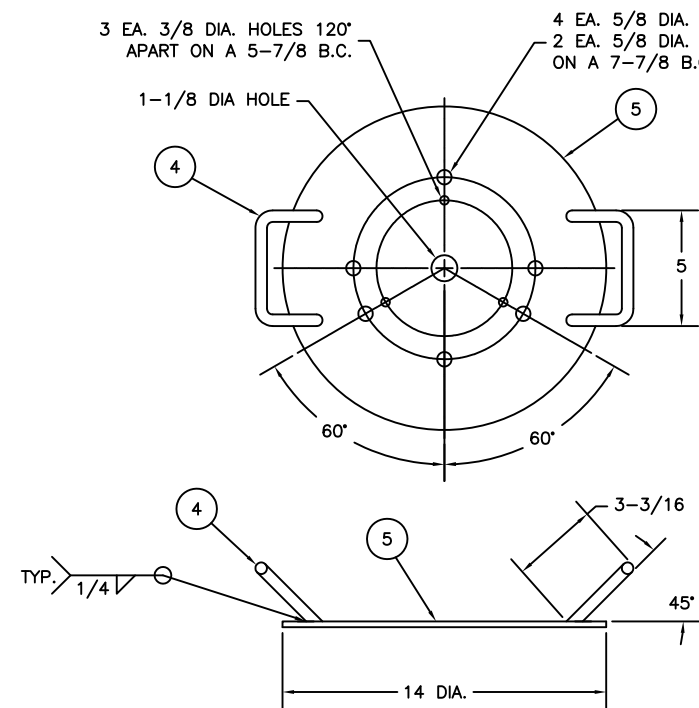
SECTION A-A
SCALE: 1-1/2"=1'-0"



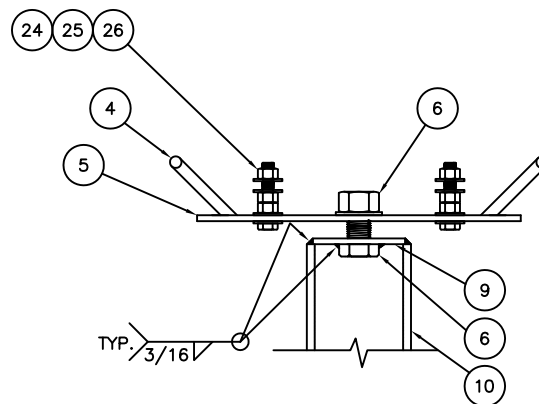
SECTION B-B
SCALE: 1-1/2"=1'-0"



SECTION C-C
SCALE: 1-1/2"=1'-0"



DETAIL A
SCALE: 3"=1'-0"



DETAIL B
SCALE: 3"=1'-0"

REV.	DATE	APPR.	DESCRIPTION	BY
DESIGNED:			U.S. COAST GUARD	HEADQUARTERS
DRAWN:	S.M.		CIVIL ENGINEERING	
TRACED:			2012 TYPE	
CHECKED:			5X9 LCFR/LNFR	
REVIEWED BY:			BUOY	
PROJECT ENGINEER				
REVIEWED BY:				
S. McEvoy				
CG-432B				
REVIEWED BY:				
W. Danzik				
CG-432				
REVIEWED BY:				
S. Walker				
CG-432				
APPROVED:			Stanley Walker/for	DATE
				10/18/12
UNLESS OTHERWISE SPECIFIED: ALL DIMENSIONS ARE IN INCHES. TOLERANCES: DIM. ±1/16 ANG. ±30°			DRAWING NUMBER	REV.
			121201	
PLOTING SCALE: 1-1/2"=1'-0"			SCALE: AS NOTED	SHEET 2 OF 3